

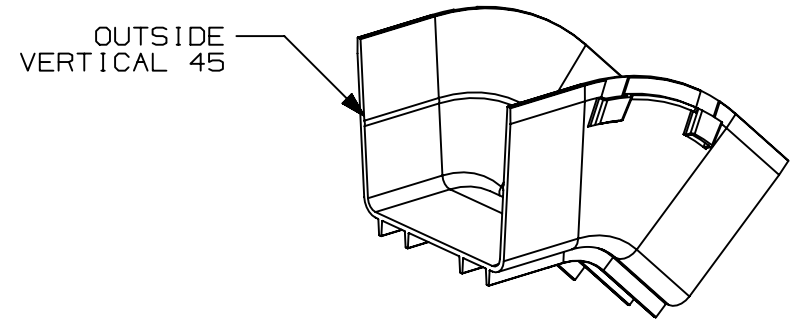
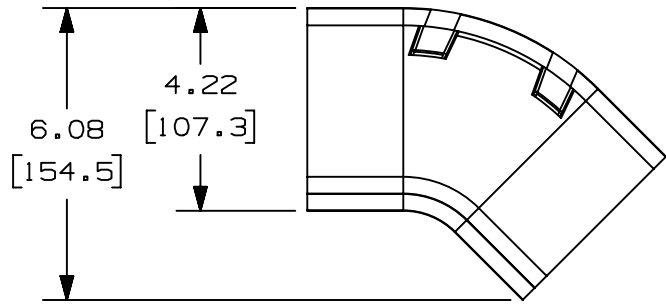
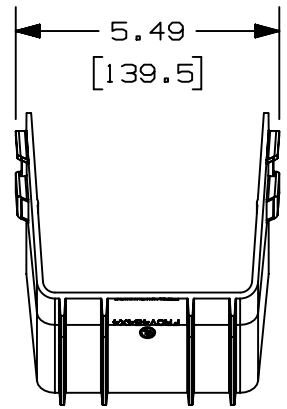
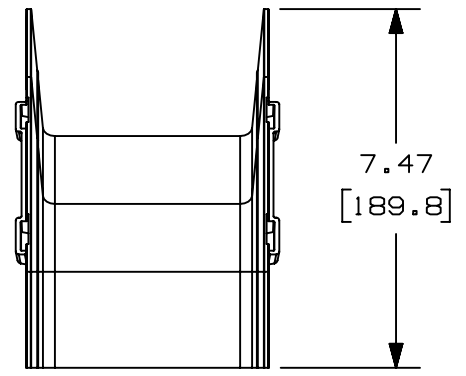
2

1

THIS COPY IS PROVIDED ON A RESTRICTED BASIS AND IS NOT TO BE USED IN ANY WAY DETRIMENTAL TO THE INTERESTS OF PANDUIT CORP.

NOTES:

- 1. SEE CURRENT CATALOG FOR ADDITIONAL PART SUFFIXES TO INDICATE COLOR AND/OR PACKAGE QUANTITY.
- 2. THE FIBERRUNNER 4x4 OUTSIDE VERTICAL 45° ANGLE FITTING IS DESIGNED WITH A MINIMUM 2" (50.8) BEND RADIUS TO PROTECT FIBER OPTIC CABLES.
- 3. DIMENSIONS IN PARENTHESES ARE IN METRIC.
- 4. PARTS SUPPLIED:
(1)- OUTSIDE VERTICAL 45



PANDUIT PART NUMBER	WEIGHT	MATERIAL
FROV454X4**	0.44 LB/EACH (201g/EACH)	ABS
FROV454X4L**	0.44 LB/EACH (201g/EACH)	PC/ABS

B

B

A

A

REV	DATE	BY	CHK	APR	DESCRIPTION	ECN
06A	8/26/20	MEX-JAGC	DWR	DWR	ADDED PART NUMBER UPDATED DRAWING BORDER & TITLE BLOCK	V09002DZ/11

TITLE FIBERRUNNER 4x4 OUTSIDE VERTICAL 45° ANGLE FITTING (FROV454X4**, FROV454X4L**)		
CUSTOMER DRAWING		
ITEM REVISION NAME D37847BR/06		
DATASET FILE NAME D37847BR_DC_FROV454X4/06A		MATERIAL: SEE PART NUMBER TABLE ABOVE
THIRD ANGLE PROJECTION		
DRAWN BY JHNU DATE 7/17/01 CHK LD SCALE NONE		DRAWING NUMBER: 37847-63
SHT 1 OF 1		SIZE A

2

1

D10100DA/20