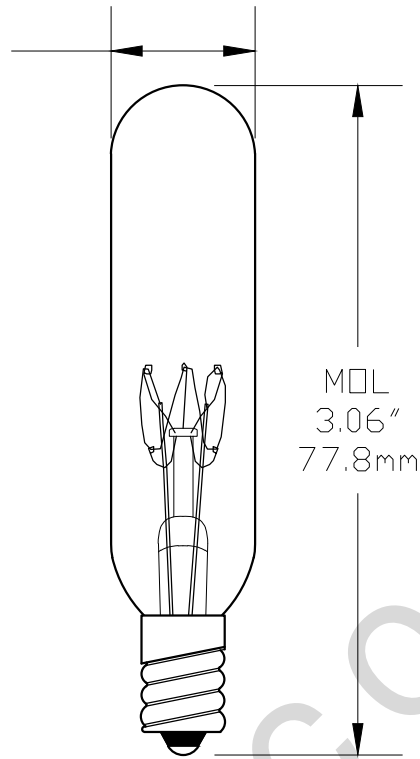




Since 1959

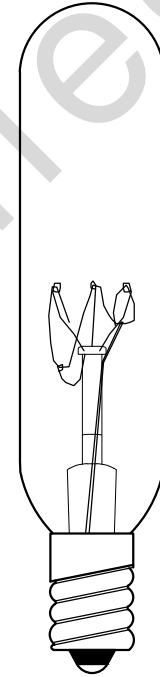
PART NO.	BASE TYPE	DESIGN VOLTS	DESIGN WATTS	LUMENS	FILAMENT TYPE	AVERAGE LIFE HOURS	REVISIONS			
							REV #	DESCRIPTION	DATE	APPROVED
15T6 145V	Candelabra Screw (E12)	145V	15	102	C-7A	1,500	1	ISSUED	03/19/2009	D.C.

GDIA
0.75"
19.05mm

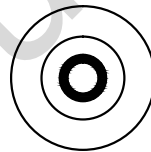


0° VIEW

T-6 BULB SHAPE
Clear Glass



90° VIEW



BASE BOTTOM VIEW



UNLESS OTHERWISE SPECIFIED: DIMENSIONS ARE IN INCHES TOLERANCES		CEC INDUSTRIES LTD			
DECIMALS	ANGULAR	599 BOND STREET		LINCOLNSHIRE, IL 60069	
.XX ± .05	± 0.5°	TITLE LIGHT BULB NO. 15T6-145V			
.XXX ± .010		DATE	03/19/2009	SIZE	A
FRACTIONAL	± 1/64	CHECKED		FSCM NO.	
		DESIGN		DWG NO.	15T6-145V
		MATERIAL		SCALE	
				PLOT SCALE	
				SHEET	1 OF 1
				FILE	15T6-145V.pdf
					DRAWING NOT TO SCALE