

- 10 Gigabit for LAN / WAN Ethernet applications
- Designed to meet IEEE802.3
- Operating Temperature Range: -40°C to +85°C
- Storage Temperature Range: -40°C to +125°C
- Solder Condition: Peak Temperature 260°C for 5 seconds (Refer to IPC/JEDEC J-STD-020 Standard)



Electrical Specifications @ 25°C

OCL(μH Min) @ 100KHz, 0.1V	Turns Ratio (±2%)	Return Loss (dB Min)				
		1-40MHz	40-100MHz	200-300MHz	300-400MHz	400-500MHz
120	1CT:1CT	-18	-13.1	-8.3	-7	-6.1

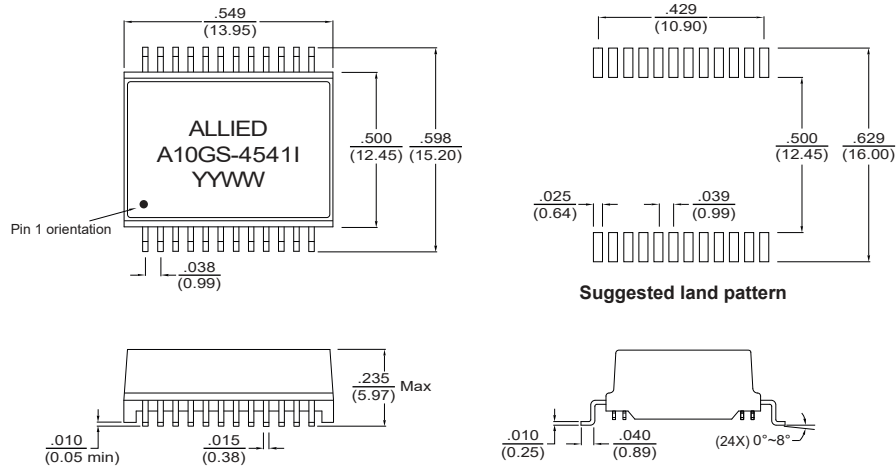
Electrical Specifications @ 25°C

Insertion Loss (dB Max)			Cross Talk (dB Min)		Differential Common Mode Rejection (dB Min)		Isolation Voltage (Vrms)
100KHz	1-400MHz	400-500MHz	1-100MHz	100-500MHz	1-250MHz	250-500MHz	
-3.0	-1.5	-2.0	-40	-30	-30	-22	1500

All specifications subject to change without notice.

MECHANICAL

Dimensions: $\frac{\text{inch}}{\text{mm}}$



Unless otherwise specified, all tolerances are ±0.25(0.010)

SCHEMATICS

