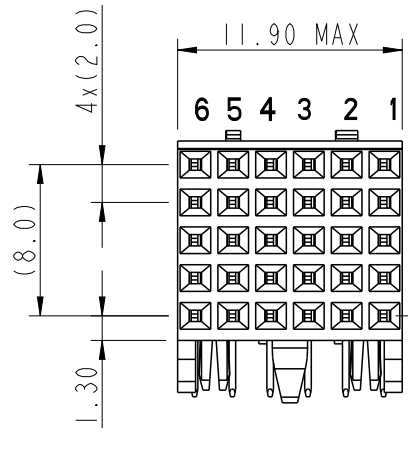
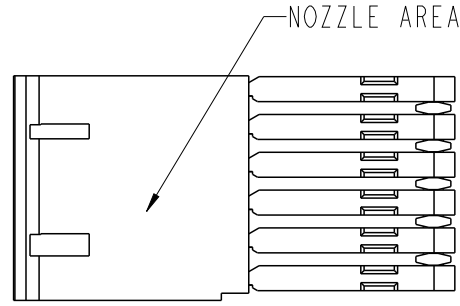


PRODUCT NUMBER

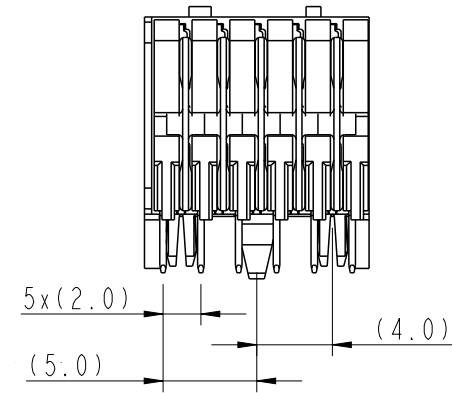
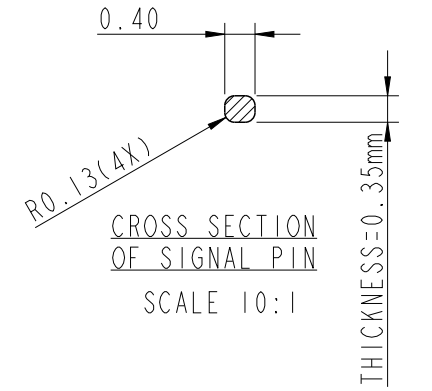
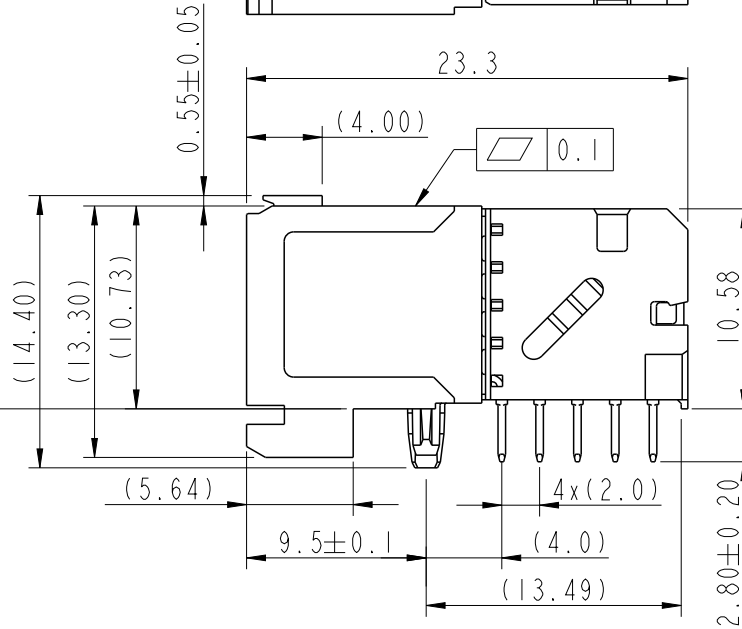
10126372-X02LF



(1.48)



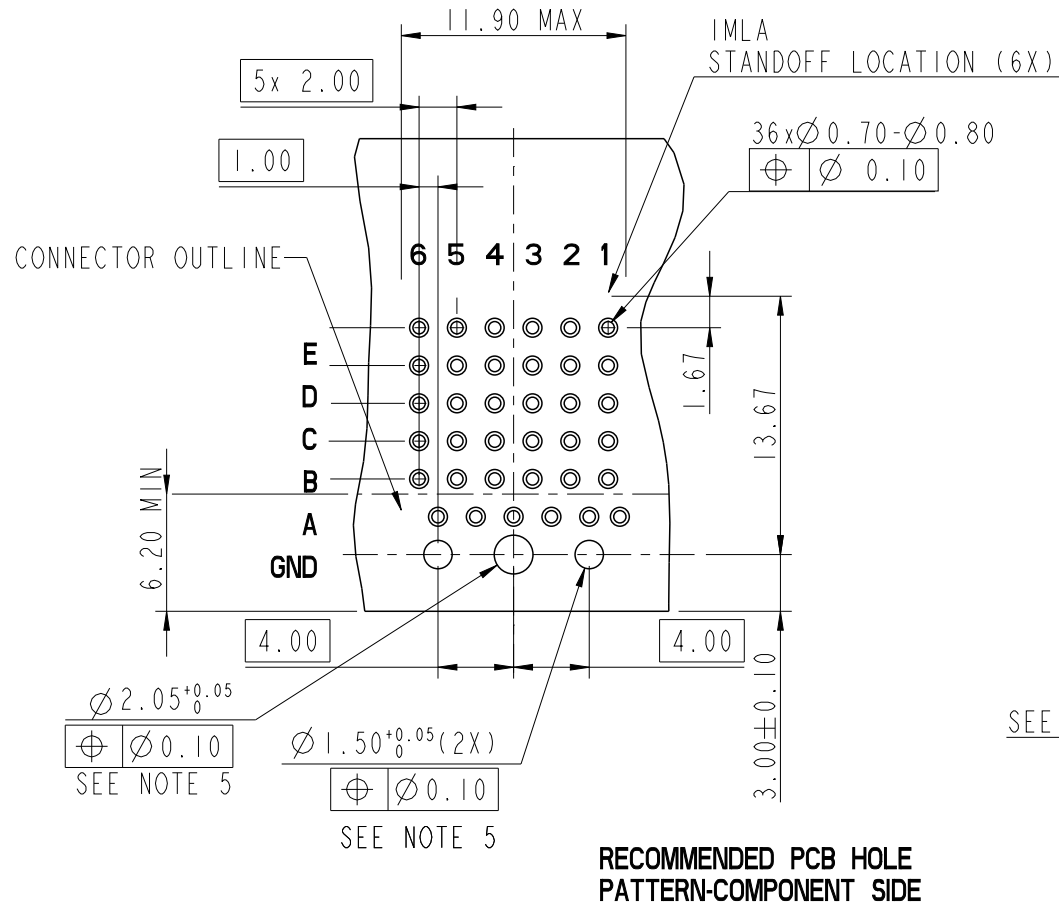
NOZZLE AREA



spec ref		-		dr	Alosius, Stali	2014/07/05	projection 	MM ←→	size	A4	scale	3:1		
tolerance std		TOLERANCES UNLESS OTHERWISE SPECIFIED		eng	Narayanan, Aru	2021/02/02			ecn no	ELX-I-39885-1				
ISO 1101 ISO 406				chr	-	-			rel level	Released				
surface 3.2		linear	0.X	±0.3	Amphenol FCi	title	product family		METRAL		dwg no	10126372	rev	B
ISO 1302			0.XX	±0.13			STANDARD METRAL 5R PIP CONNECTOR							
		0.XXX	±0.050	SIGNAL REC PIP										
		angular	0°	±2°	amphenol-icc.com	cat. no.	Product - Customer Drw		sheet 1 of 5					

Creo F114-ELX-NC-AAC_REV F_2020-12-21





PRODUCT NUMBER
10126372-X02LF





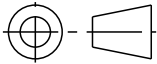


spec ref		-		dr	Alosius, Stali	2014/07/05	projection 	MM 	size	A4	scale	1:1
tolerance std		TOLERANCES UNLESS OTHERWISE SPECIFIED		eng	Narayanan, Aru	2021/02/02			ecn no	ELX-I-39885-1		
ISO 1101 ISO 406				chr	-	-			rel level	Released		
surface		linear	0.X	±0.3	Amphenol FCi	product family		METRAL		dwg no 10126372	rev B	
ISO 1302			0.XX	±0.13		STANDARD METRAL 5R PIP CONNECTOR		Product - Customer Drw				
		0.XXX	±0.050	SIGNAL REC PIP		sheet 2 of 5						
		angular	0°	±2°	amphenol-icc.com	cat. no.	-	Product - Customer Drw		sheet 2 of 5		

PRODUCT NUMBER
10126372-X02LF

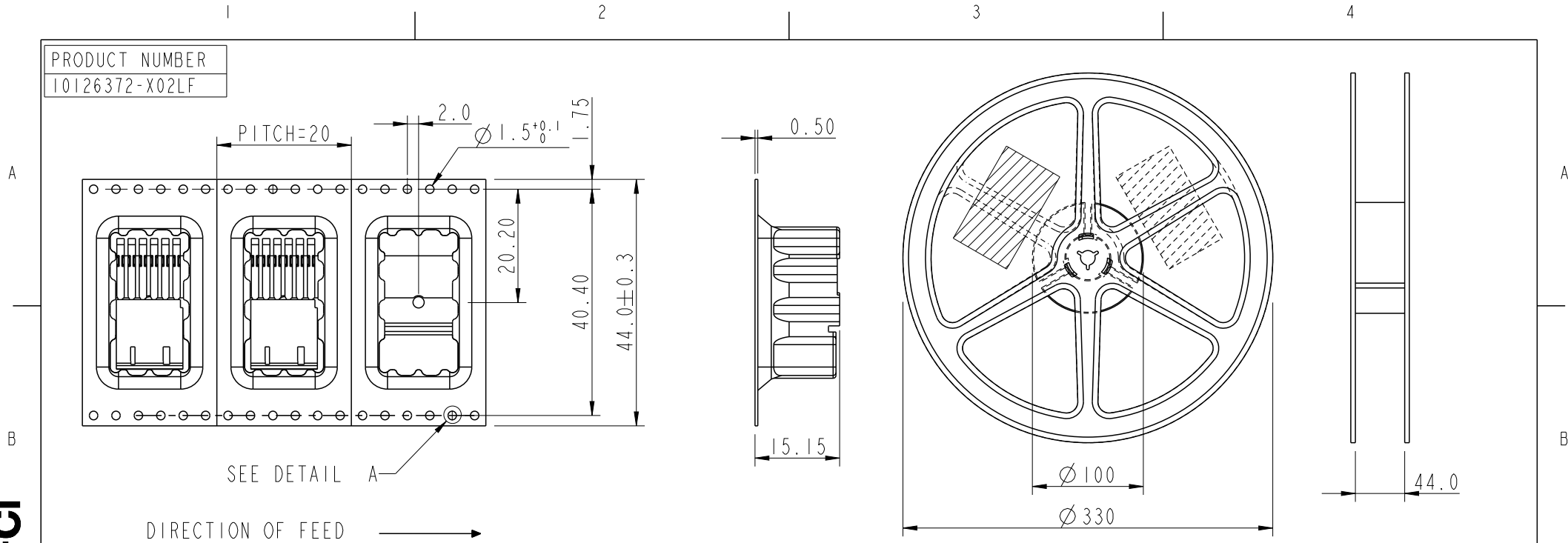
NOTES

1. MATERIAL : BODY : THERMOPLASTIC UL94-V0.  : CONTACT : COPPER ALLOY.
2. FOR PLATING PERFORMANCE REFER DRAWING # 10159408. 
3. THE PRODUCTS MEET EUROPEAN DIRECTIVES AND OTHER COUNTRY REGULATIONS AS DESCRIBED IN GS-47-0004. 
4. Ø2.05 HOLE IS UNPLATED
5. Ø1.50 HOLE IS UNPLATED.
6. PCB THICKNESS RANGE: 1.6mm TO 2.4mm
7. SEE PRODUCT SPECIFICATION GS-12-110 FOR PRODUCT PERFORMANCE CHARACTERISTICS.
8. PCB THICKNESS RANGE: 1.6mm TO 2.4mm
9. ALL PRODUCTS WILL WITHSTAND EXPOSURE TO 260° FOR 60 SECONDS IN A CONVECTION, INFRA-RED OR VAPOR PHASE. REFLOW OVEN.
10. PART NUMBER IS LASER PRINTED AT SIDE OF THE HOUSING.
11. LETTER "PIP" IS ENGRAVED ON BOTTOM OF THE HOUSING
12. A  SYMBOL WILL BE NEXT TO ANY DIMENSION, VIEW, OR NOTE WHICH HAS BEEN MODIFIED WITH THE DRAWING CURRENT REVISION
13. 10126372-XYLF.

 'X' REFER DRAWING # 10159408. 

spec ref -		dr Alosius, Stali		2014/07/05		projection		size A4		scale 3:1	
tolerance std		eng Narayanan, Aru		2021/02/02						ecn no ELX-I-39885-1	
ISO 1101 ISO 406		chr -		-						rel level Released	
surface -		appr Kuriakose, San		2021/02/03		product family METRAL		rev		10126372	
linear		0.X		±0.3				title STANDARD METRAL 5R PIP CONNECTOR SIGNAL REC PIP		dwg no 10126372 rev B	
0.XX		±0.13									
0.XXX		±0.050									
angular		0°		±2°		cat. no. -		Product - Customer Drw		sheet 3 of 5	

PRODUCT NUMBER
10126372-X02LF

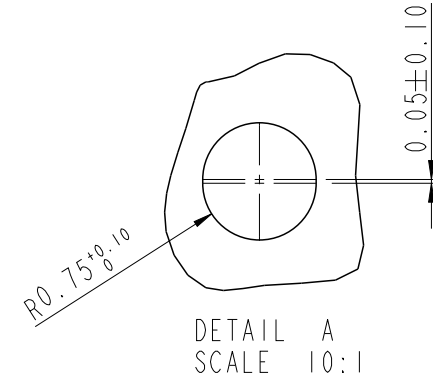


TAPE & REEL PACKING DETAILS

NOTES:

1. CONNECTORS PACKED PER REEL : 200 PIECES
2. PACKAGING DETAILS AS PER EIA-481 STD.
3. PACKING SHOULD BE ANTISTATIC.
4. MATERIAL :

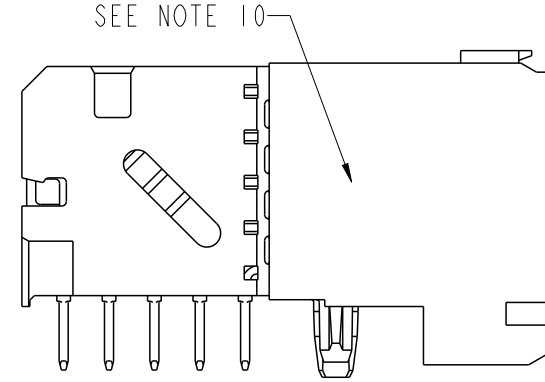
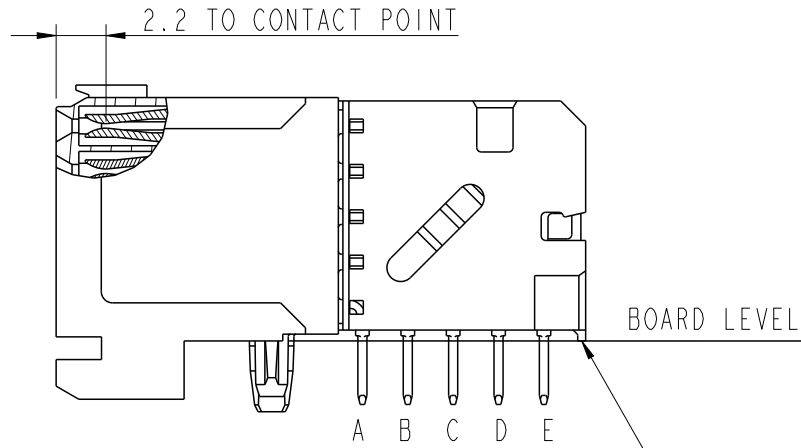
CARRIER TAPE : POLYSTYRENE
COVER TAPE : POLYSTYRENE



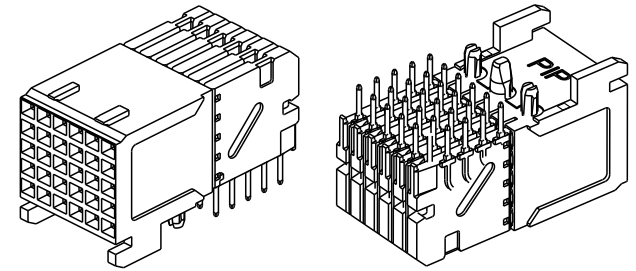
spec ref		-		dr	Alosius, Stali	2014/07/05	projection 	MM ←→	size	A4	scale	3:1
tolerance std		TOLERANCES UNLESS OTHERWISE SPECIFIED		eng	Narayanan, Aru	2021/02/02			ecn no	ELX-I-39885-1		
ISO 1101 ISO 406				chr	-	-			rel level	Released		
surface	linear	0.X	±0.3	Amphenol FCi	title	STANDARD METRAL 5R PIP CONNECTOR		dwg no	10126372		rev	B
		0.XX	±0.13			SIGNAL REC PIP						
		0.XXX	±0.050			cat. no.						
ISO 1302	angular	0°	±2°	amphenol-icc.com	Product - Customer Drw		sheet 4 of 5					

Creo F:19:ELX-NC:ARC,REV F,2020-12-21

PRODUCT NUMBER
10126372-X02LF



IMLA STAND OFFS WILL
BE IN CONTACT WITH PCB



spec ref -		dr Alosius, Stali 2014/07/05		projection 	MM ←————→	size A4	scale 3:1
tolerance std ISO 1101 ISO 406		eng Narayanan, Aru 2021/02/02				ecn no ELX-I-39885-1	
TOLERANCES UNLESS OTHERWISE SPECIFIED		chr -				rel level Released	
surface 3.2 ISO 1302		appr Kuriakose, San 2021/02/03		product family METRAL		rev	
linear	0.X	±0.3	Amphenol FCi	title STANDARD METRAL 5R PIP CONNECTOR SIGNAL REC PIP		dwg no 10126372	
	0.XX	±0.13					
0.XXX	±0.050						
angular	0°	±2°	amphenol-icc.com	cat. no.	Product - Customer Drw	sheet 5 of 5	

Creo F114:ELX-MC-AAC,REV F,2020-12-21