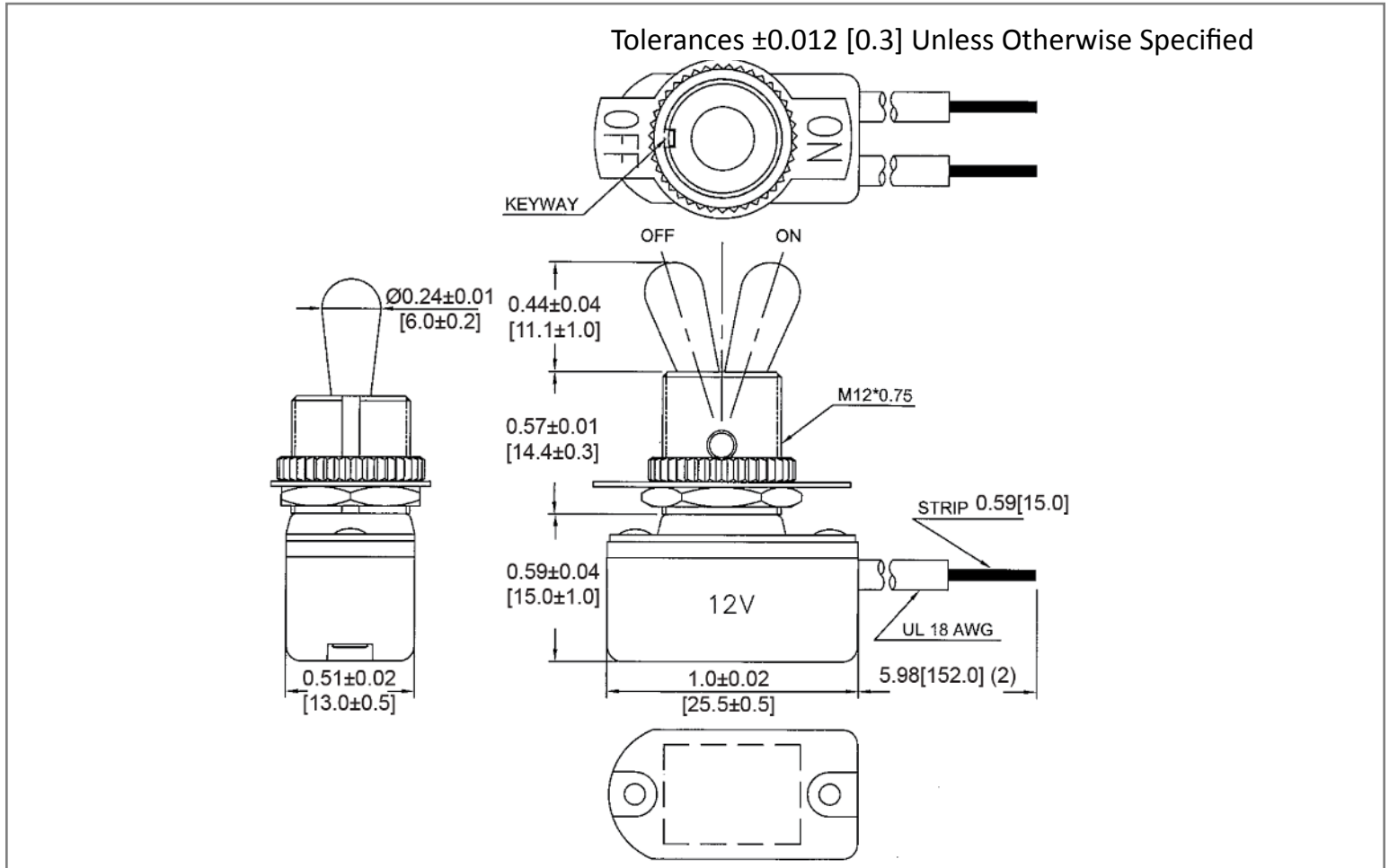
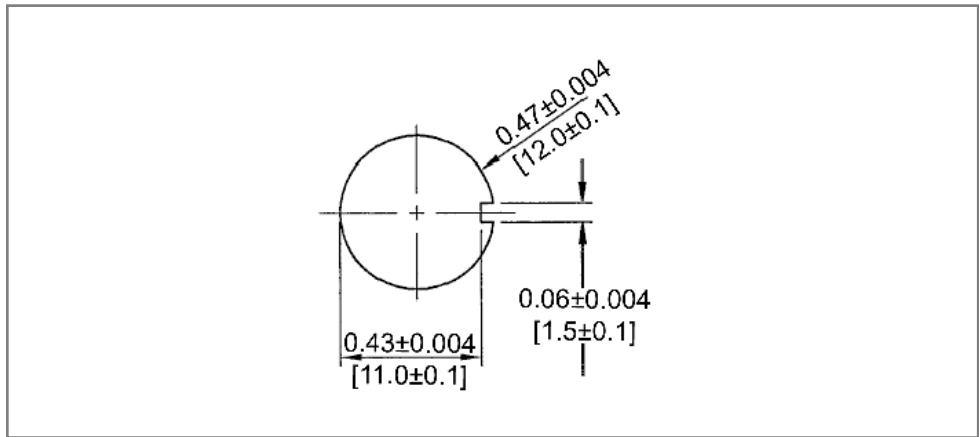


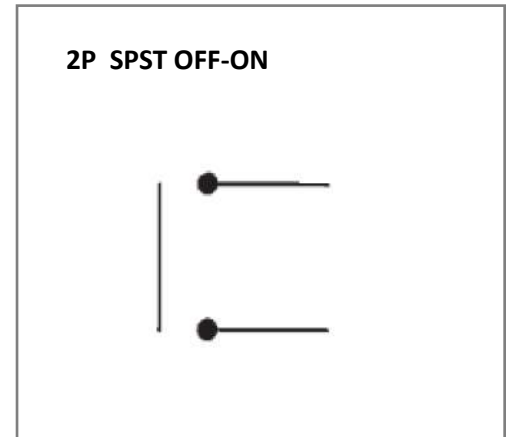
Mechanical Dimensions: Inches [mm]



Mounting Hole



Circuit Diagram



Electrical Specifications

Rating	6A 12V DC
Contact Resistance	50m ohm Max
Insulation Resistance	DC 500V 100M ohm Min
Dielectric Strength	AC 1000V 1 minute

Material Specifications

1 HEX NUT ASSY
1 KNURL NUT ASSY
1 ON/OFF FACE PLATE ASSY

Rev	Date of issue	Revision Notes	Designed	Approved
A	01-14-2020	Initial Drawing	RC	OF