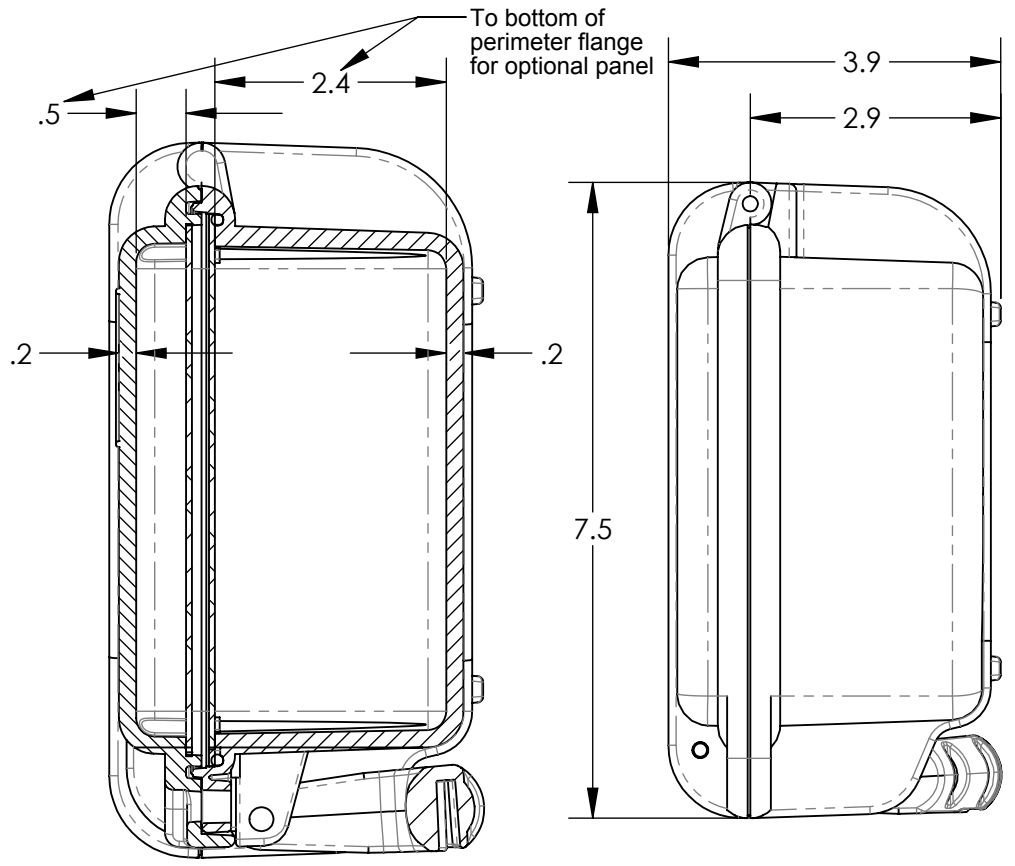
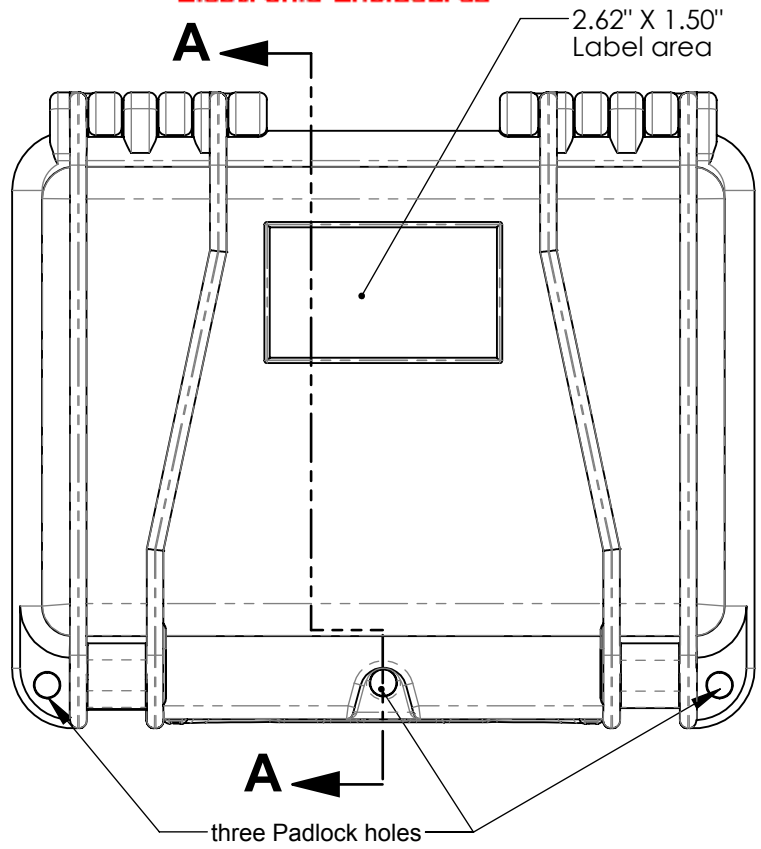
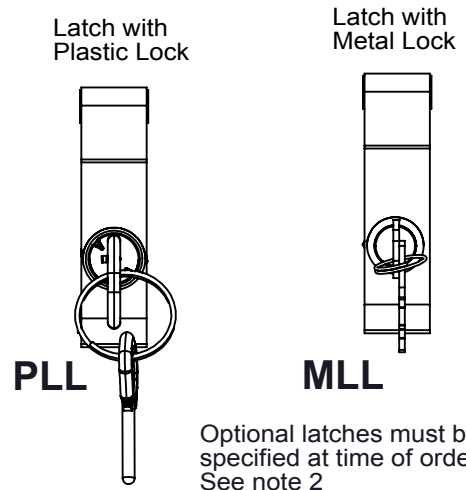
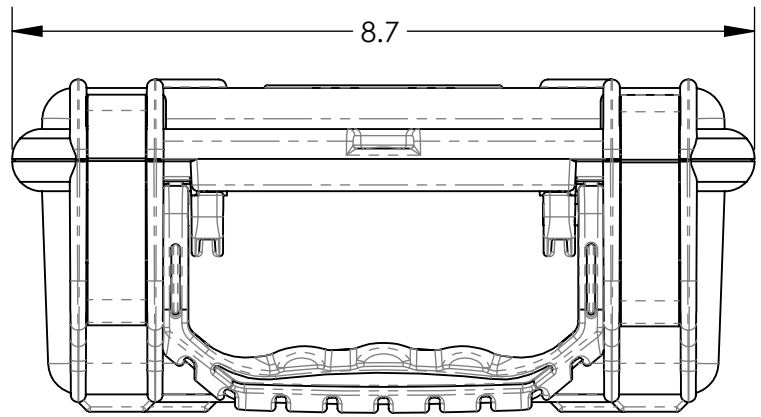


# SERPAC 120

Electronic Enclosures



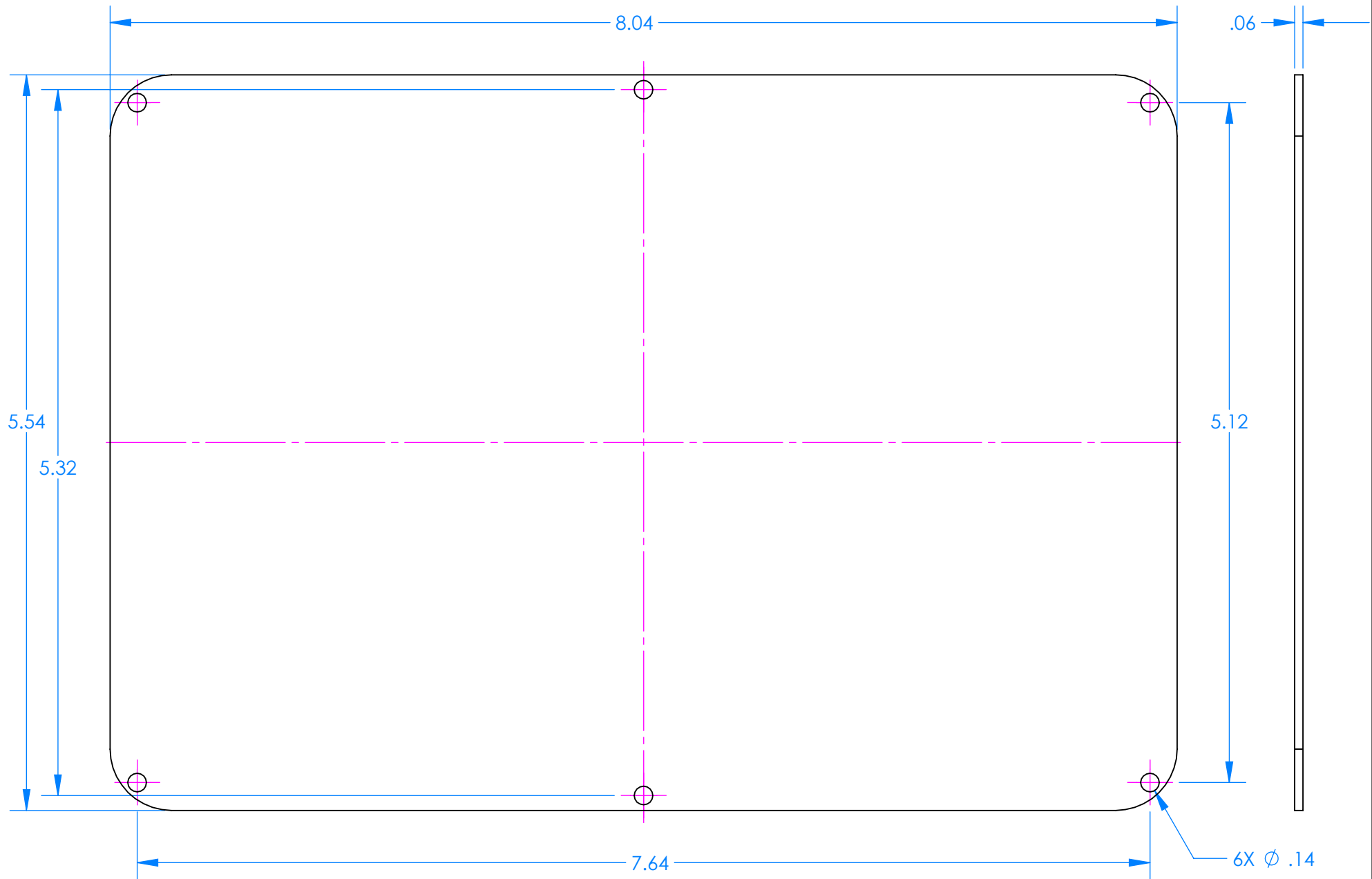
SECTION A-A



Optional latches must be specified at time of order. See note 2

- NOTES:**
- 1) Max. usable inside dimensions are: 7.50" X 5.00" X 3.23"
  - 2) With Metal Lock Latches p/n SE120ML and Plastic Lock Latches p/n SE120PL are optional.

## 7151 Top Panel for 120



## 7152 Bottom Panel for 120

