



ANATECH ELECTRONICS INC
RF & Microwave Filters & Products

2450 MHz Cavity Bandpass Filter

Part Number: AB2450B1056



Electrical specifications

Passband: 2444.5-2455.5MHz
Passband Insertion Loss: ≤3.0dB
Passband Ripple: ≤0.45dB
Passband: Return Loss: ≥15dB
Rejection: ≥60dB@2430&2470MHz
Rejection 2: ≥90dBc@2400&2500MHz
Power Handling: 10W(CW)
Input / Output Impedance: 50 Ohms

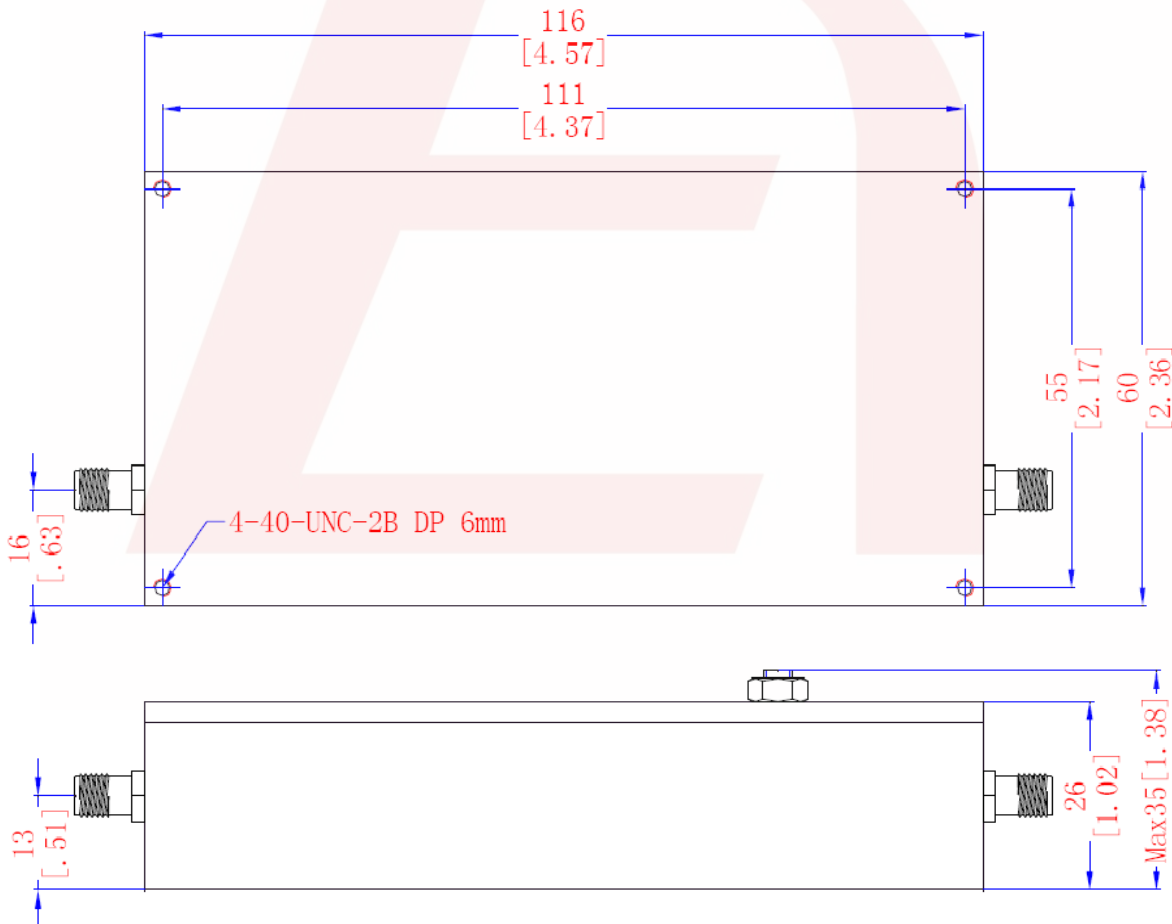
Mechanical

Connector Type: SMA (F)
Dimensions: 4.57 x 2.36 x 1.02 inches

Environmental

Operating Temperature: -40 to +85 deg.C
Storage temperature: -65 to +95 deg.C
Shock: 20 G's, ½ sine, 11ms
Vibration: 10 G's, 10-2000Hz
Relative Humidity: 0-95%

Outline Drawing:





ANATECH ELECTRONICS INC
RF & Microwave Filters & Products

2450 MHz Cavity Bandpass Filter

Part Number: AB2450B1056



Response Plot:

