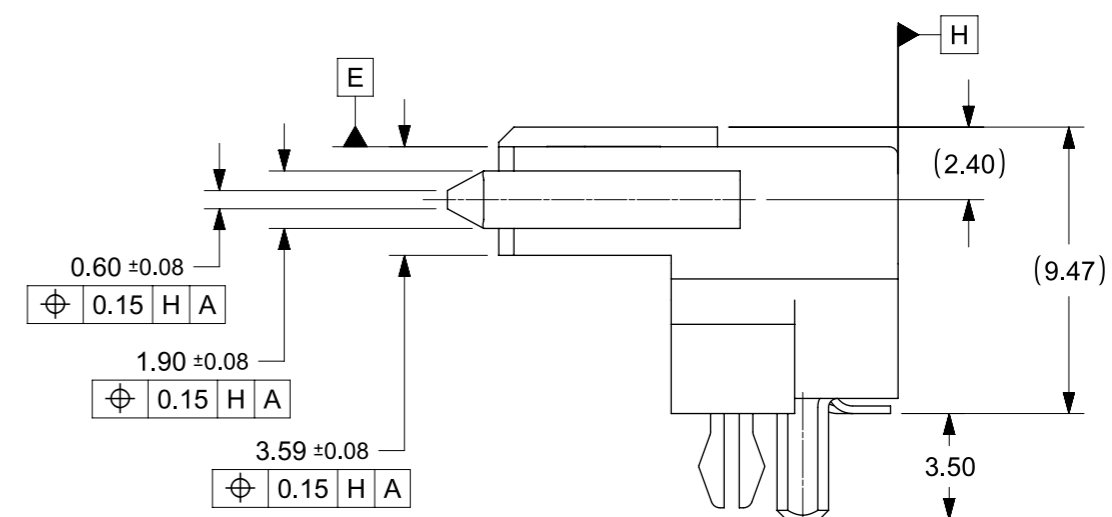
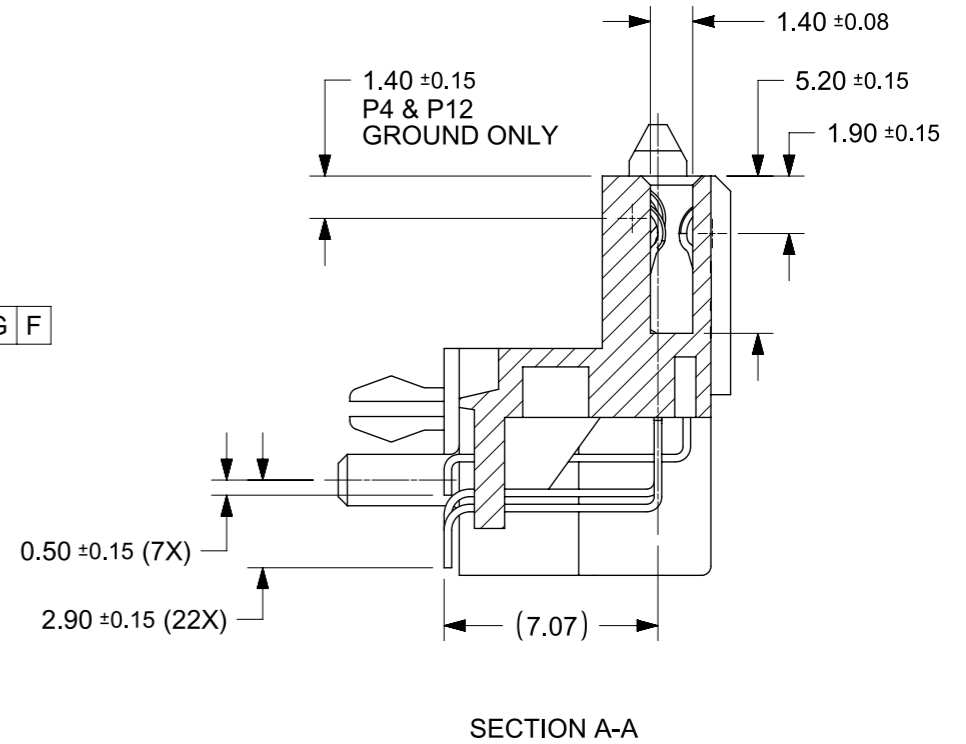
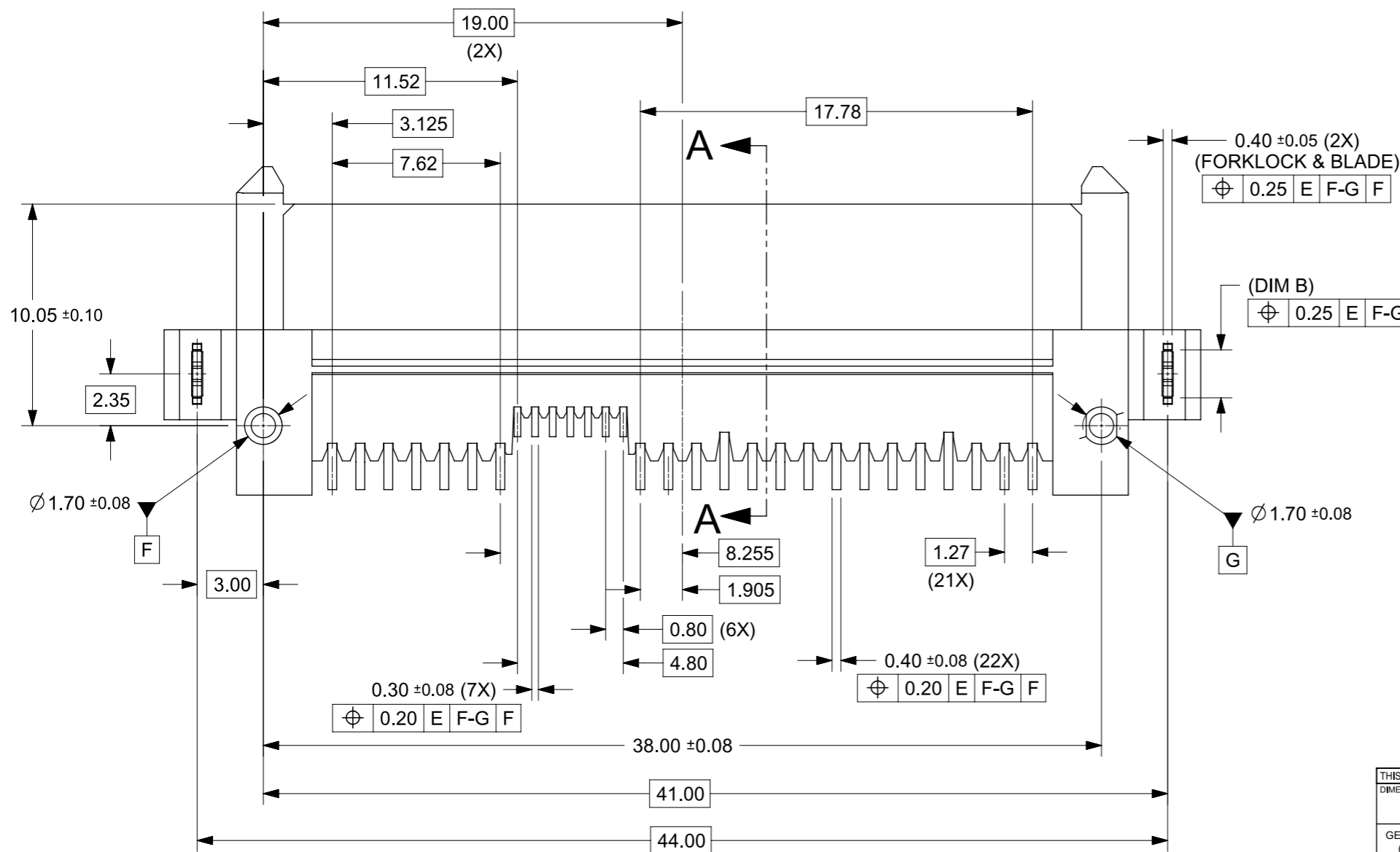
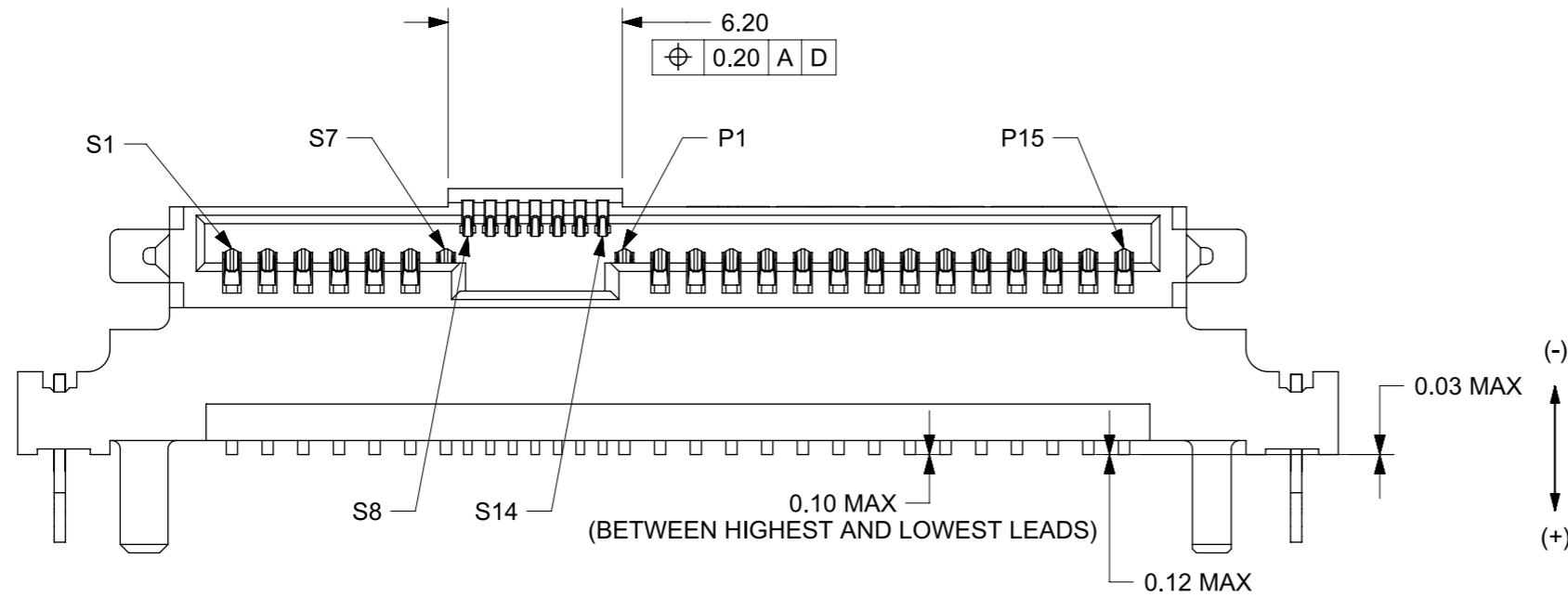


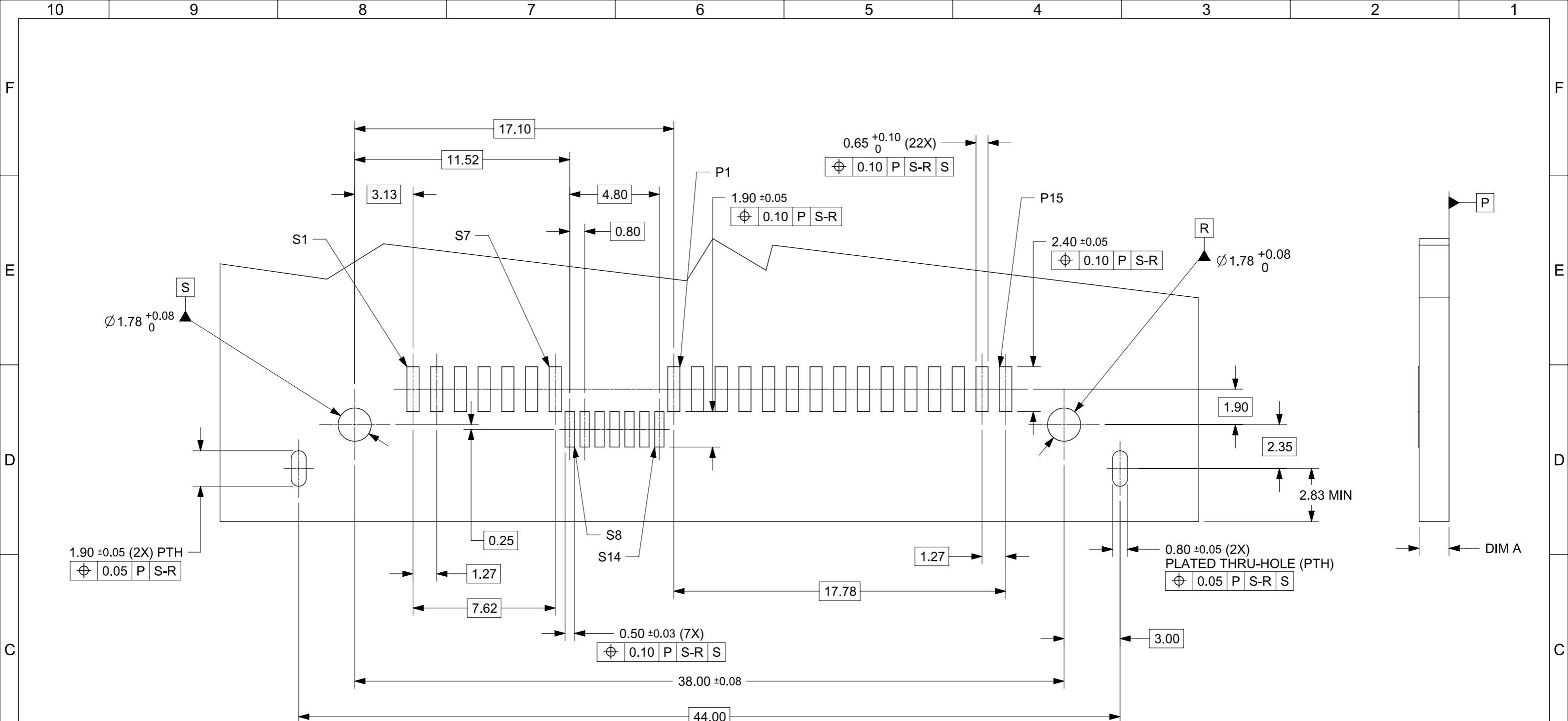
- NOTES:
- MATERIAL
 HOUSING: NYLON 9T, GLASS FILLED, UL 94V-0, BLACK
 CAP: LCP, GLASS FILLED, UL 94V-0, BLACK
 TERMINAL: COPPER ALLOY
 FORK LOCK/BLADE: COPPER ALLOY
 - PLATING:
 TERMINAL:
 CONTACT: 0.76µm MIN. SELECTIVE GOLD OVER 1.27µm MIN. NICKEL UNDERPLATE
 SOLDER TAIL: 2.54µm MIN. TIN OVER 1.27µm MIN. NICKEL UNDERPLATE
 FORK LOCK/BLADE:
 2.54µm MIN. TIN OVER 1.27µm MIN. NICKEL UNDERPLATE
 - MOLEX LOGO AND DATE CODE LOCATED APPROXIMATELY AS SHOWN.
 - NON FUNCTIONAL CORE HOLE MAY VARY.
 - THIS PRODUCT IS COMPLIANT TO RoHS DIRECTIVE WITH THE FOLLOWING BANNED SUBSTANCES - LEAD, MERCURY, CADMIUM, HEXAVALENT CHROMIUM, POLYBROMINATED BIPHENYLS AND POLYBROMINATED DIPHENYL ETHERS.
 - PRODUCT SPECIFICATION PS-87945-034 APPLIES.
 - MATES WITH : SFF-8482 PLUG
 SATA PLUG SERIES 87679, 87703 AND 87799
 - PACKAGING SPECIFICATION : TRAY : PK-87945-001
 TAPE & REEL : PK-87945-002



THIS DRAWING CONTAINS INFORMATION THAT IS PROPRIETARY TO MOLEX ELECTRONIC TECHNOLOGIES, LLC AND SHOULD NOT BE USED WITHOUT WRITTEN PERMISSION		CURRENT REV DESC: ADD DATUM H		molex	
DIMENSION UNITS	SCALE				
mm	NTS			SERIAL ATTACH SCSI RECEPTACLE, RIGHT-ANGLE SMT, 7.07MM HEIGHT	
GENERAL TOLERANCES (UNLESS SPECIFIED)				PRODUCT CUSTOMER DRAWING	
ANGULAR TOL	± 3.0 °			DOCUMENT NUMBER	
4 PLACES	±	EC NO: 717471	2022/08/08	SD-87945-001	
3 PLACES	±	DRWN: SKANG	2022/08/11	PSD	001
2 PLACES	± 0.2	CHK'D: EKSOH	2022/08/12	C2	
1 PLACE	±	APPR: SHLENI		REVISION	
0 PLACES	±	INITIAL REVISION:		DOC TYPE	
DRAFT WHERE APPLICABLE MUST REMAIN WITHIN DIMENSIONS		DRWN: KCHO	2005/02/28	CUSTOMER	
THIRD ANGLE PROJECTION		APPR: SKTOH	2005/03/01	GENERAL MARKET	
DRAWING		SERIES		SHEET NUMBER	
A3-SIZE		87945		1 OF 6	



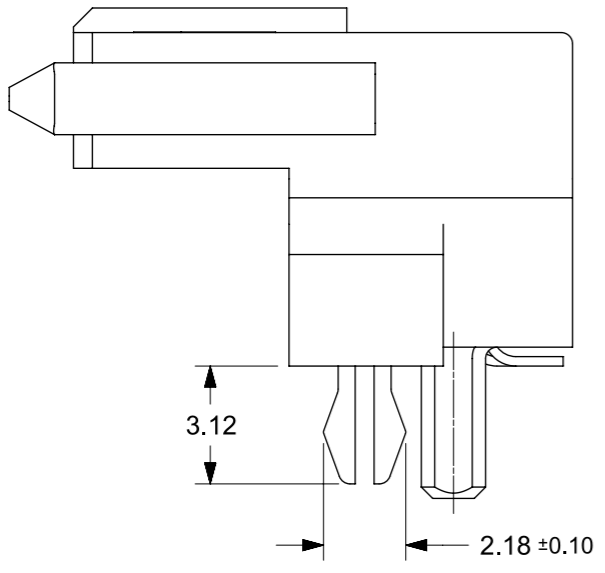
THIS DRAWING CONTAINS INFORMATION THAT IS PROPRIETARY TO MOLEX ELECTRONIC TECHNOLOGIES, LLC AND SHOULD NOT BE USED WITHOUT WRITTEN PERMISSION		CURRENT REV DESC: ADD DATUM H		molex	
DIMENSION UNITS	SCALE				
mm	NTS			SERIAL ATTACH SCSI RECEPTACLE, RIGHT-ANGLE SMT, 7.07MM HEIGHT	
GENERAL TOLERANCES (UNLESS SPECIFIED)				PRODUCT CUSTOMER DRAWING	
ANGULAR TOL	± 3.0 °			DOCUMENT NUMBER	
4 PLACES	±	EC NO: 717471	2022/08/08	SD-87945-001	
3 PLACES	±	DRWN: SKANG	2022/08/11	DOC TYPE	DOC PART
2 PLACES	± 0.2	CHK'D: EKSOH	2022/08/12	PSD	001
1 PLACE	±	APPR: SHLENI		REVISION	C2
0 PLACES	±	INITIAL REVISION:			
DRAFT WHERE APPLICABLE MUST REMAIN WITHIN DIMENSIONS		DRWN: KCHO	2005/02/28		
THIRD ANGLE PROJECTION		APPR: SKTOH	2005/03/01		
DRAWING		SERIES	MATERIAL NUMBER	CUSTOMER	SHEET NUMBER
A3-SIZE		87945		GENERAL MARKET	2 OF 6



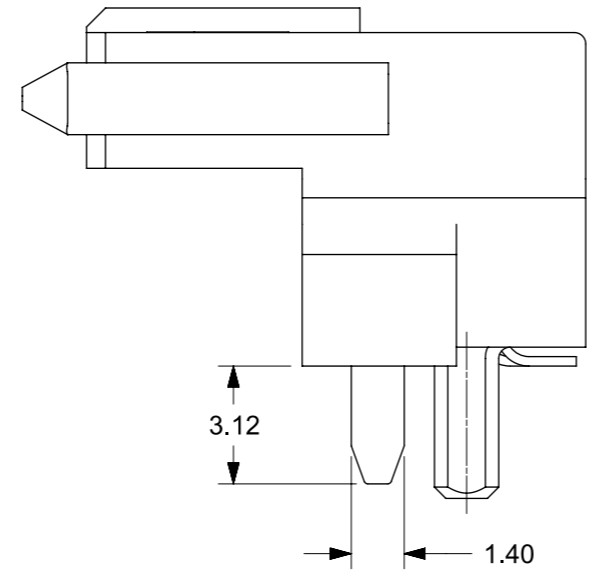
RECOMMENDED PCB LAYOUT

THIS DRAWING CONTAINS INFORMATION THAT IS PROPRIETARY TO MOLEX ELECTRONIC TECHNOLOGIES, LLC AND SHOULD NOT BE USED WITHOUT WRITTEN PERMISSION																	
DIMENSION UNITS		SCALE		CURRENT REV DESC: ADD DATUM H													
mm		NTS															
GENERAL TOLERANCES (UNLESS SPECIFIED)																	
ANGULAR TOL ± 3.0 °				SERIAL ATTACH SCSI RECEPTACLE, RIGHT-ANGLE SMT, 7.07MM HEIGHT													
4 PLACES ±																	
3 PLACES ±				PRODUCT CUSTOMER DRAWING													
2 PLACES ± 0.2																	
1 PLACE ±				EC NO: 717471 DRWN: SKANG 2022/08/08 CHK'D: EKSOH 2022/08/11 APPR: SHLENI 2022/08/12													
0 PLACES ±																	
DRAFT WHERE APPLICABLE MUST REMAIN WITHIN DIMENSIONS				THIRD ANGLE PROJECTION		DRAWING		SERIES		DOCUMENT NUMBER		DOC TYPE		DOC PART		REVISION	
		A3-SIZE		87945		SD-87945-001		PSD		001		C2					
MATERIAL NUMBER				CUSTOMER				SHEET NUMBER									
				GENERAL MARKET				3 OF 6									

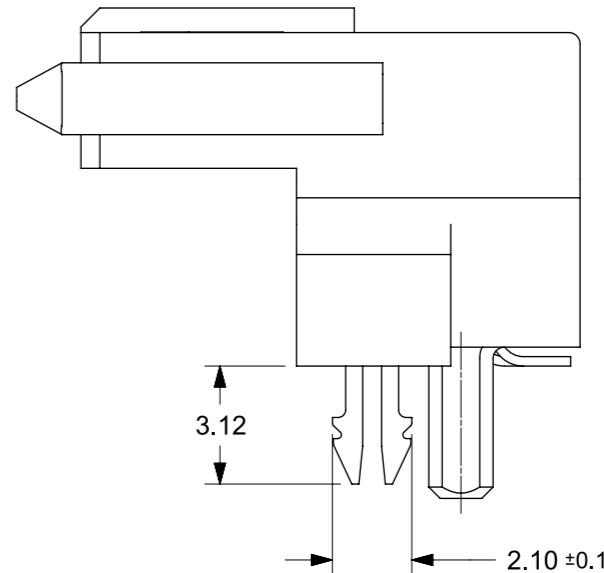
PART NUMBER WITHOUT CAP IN TRAY	PART NUMBER WITH CAP IN T&R	HOLD DOWN	DIM A (PCB THICKNESS)	DIM B
87945-0001	-	FORKLOCK	1.60±0.10	(2.18)
87945-0002	87945-0202	BLADE	-	(1.40)
87945-1001	87945-1201	FORKLOCK	1.834±0.183 TO 2.20±0.22 PCB FORKLOCK HOLE MUST BE PLATED THRU-HOLE (PTH) REGARDLESS WHETHER FORKLOCK IS SOLDERED OR NOT	(2.10)



87945-0001



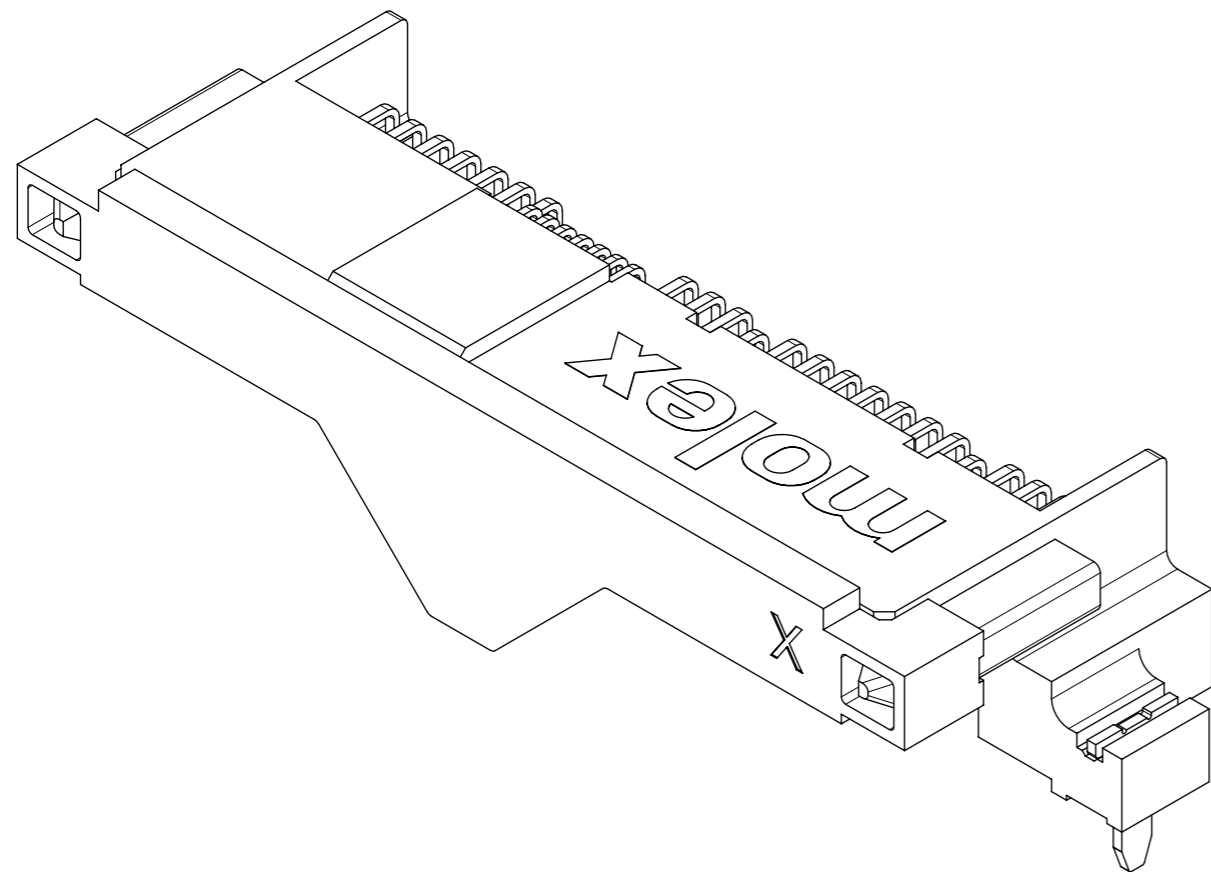
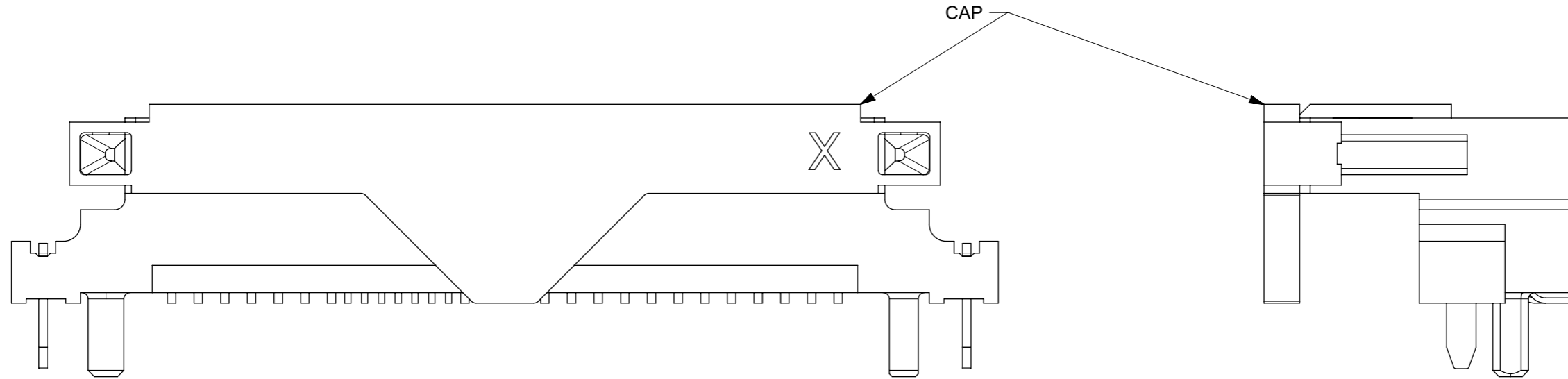
87945-0002 (WITHOUT CAP)
87945-0202 (WITH CAP)



87945-1001 (WITHOUT CAP)
87945-1201 (WITH CAP)

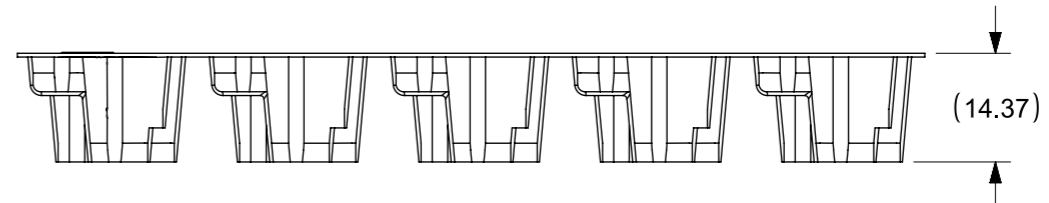
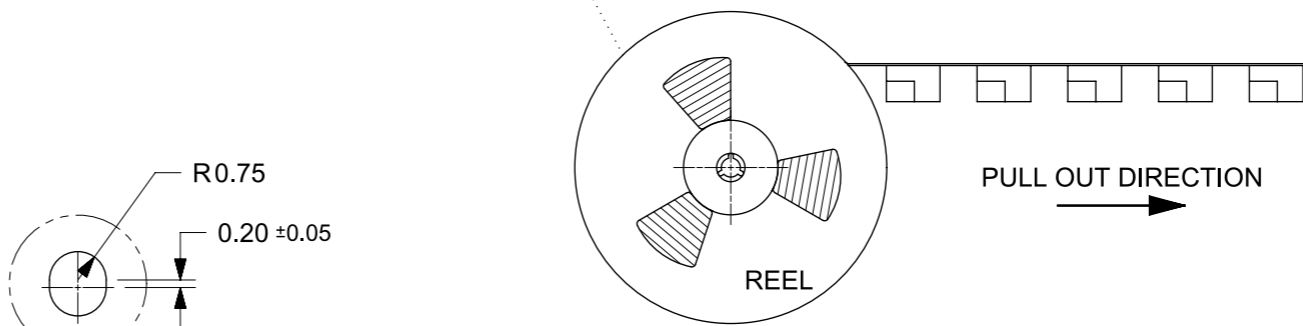
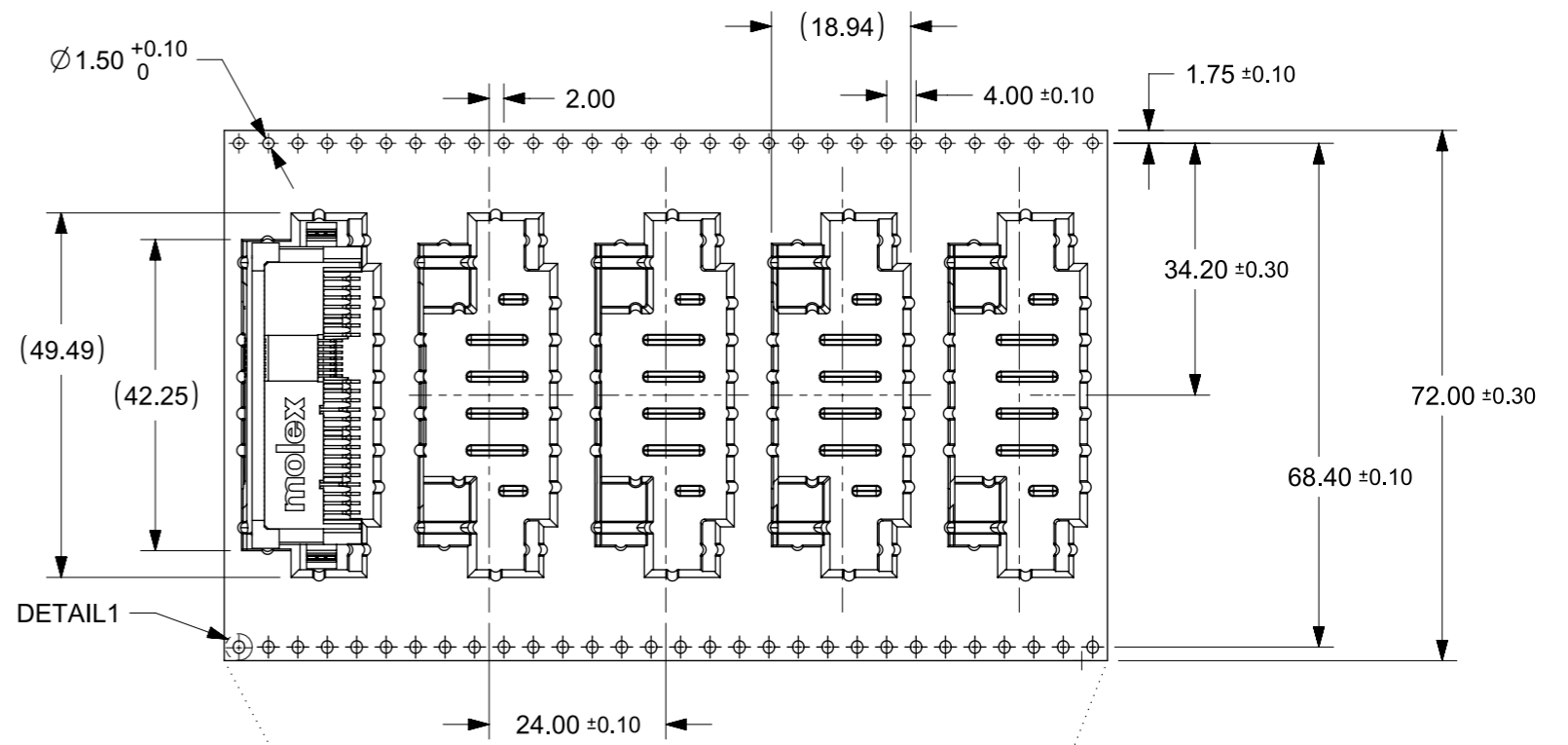
THIS DRAWING CONTAINS INFORMATION THAT IS PROPRIETARY TO MOLEX ELECTRONIC TECHNOLOGIES, LLC AND SHOULD NOT BE USED WITHOUT WRITTEN PERMISSION											
DIMENSION UNITS		SCALE		CURRENT REV DESC: ADD DATUM H				molex		SERIAL ATTACH SCSI RECEPTACLE, RIGHT-ANGLE SMT, 7.07MM HEIGHT	
mm		NTS									
GENERAL TOLERANCES (UNLESS SPECIFIED)											
ANGULAR TOL ± 3.0 °											
4 PLACES		±		EC NO: 717471				SD-87945-001		PSD 001 C2	
3 PLACES		±		DRWN: SKANG 2022/08/08							
2 PLACES		± 0.2		CHK'D: EKSOH 2022/08/11 APPR: SHLENI 2022/08/12							
1 PLACE		±		INITIAL REVISION:				DOCUMENT NUMBER		DOC TYPE	
0 PLACES		±		DRWN: KCHO 2005/02/28 APPR: SKTOH 2005/03/01				SD-87945-001		PSD 001 C2	
DRAFT WHERE APPLICABLE MUST REMAIN WITHIN DIMENSIONS				THIRD ANGLE PROJECTION		DRAWING		SERIES		SHEET NUMBER	
						A3-SIZE		87945		4 OF 6	

ILLUSTRATION FOR PART WITH CAP



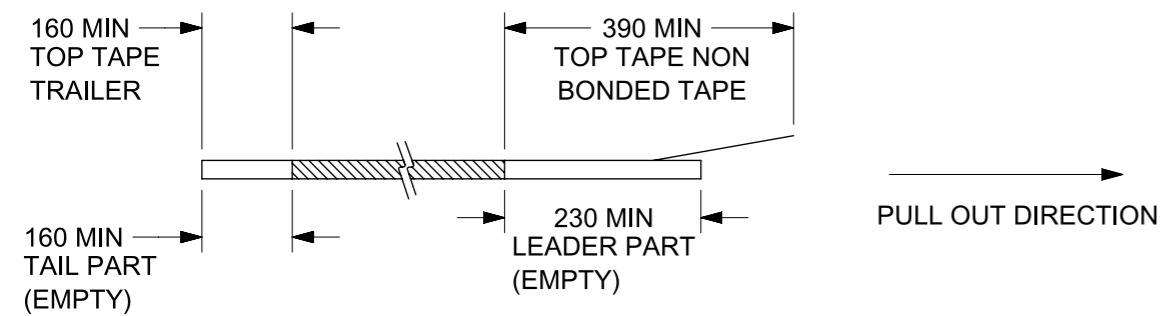
THIS DRAWING CONTAINS INFORMATION THAT IS PROPRIETARY TO MOLEX ELECTRONIC TECHNOLOGIES, LLC AND SHOULD NOT BE USED WITHOUT WRITTEN PERMISSION									
DIMENSION UNITS		SCALE		CURRENT REV DESC: ADD DATUM H				molex	
mm		NTS							
GENERAL TOLERANCES (UNLESS SPECIFIED)				SERIAL ATTACH SCSI RECEPTACLE, RIGHT-ANGLE SMT, 7.07MM HEIGHT					
ANGULAR TOL ± 3.0 °				PRODUCT CUSTOMER DRAWING					
4 PLACES ±		EC NO: 717471		DRWN: SKANG		2022/08/08		DOCUMENT NUMBER	
3 PLACES ±		CHK'D: EKSOH		APPR: SHLENI		2022/08/11		DOC TYPE DOC PART REVISION	
2 PLACES ± 0.2		INITIAL REVISION:		DRWN: KCHO		2005/02/28		SD-87945-001	
1 PLACE ±		APPR: SKTOH		2005/03/01				PSD 001 C2	
0 PLACES ±		DRAFT WHERE APPLICABLE MUST REMAIN WITHIN DIMENSIONS		THIRD ANGLE PROJECTION		DRAWING		SERIES	
				A3-SIZE		87945		MATERIAL NUMBER	
				GENERAL MARKET				SHEET NUMBER	
								5 OF 6	

PART WITH CAP IN T&R

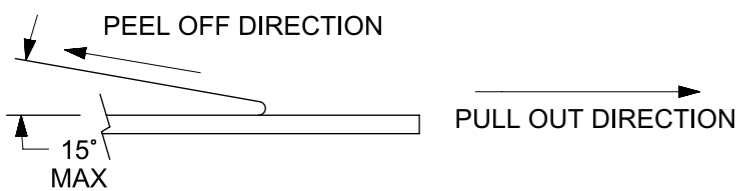


NOTES:

1. LEADER AND TRAILER TAPE



2. PEELING OFF FORCE OF THE TOP TAPE: 20 - 80gf. (PEELING DIRECTION AS SHOWN IN FOLLOWING FIGURE)



- 3. TAPE AND REEL SPECIFICATION IS AS PER EIA-481.
- 4. TAPE AND REEL QUANTITY : 150PCS
- 5. THE TAPE IS TREATED FOR ANTI-STATIC.

THIS DRAWING CONTAINS INFORMATION THAT IS PROPRIETARY TO MOLEX ELECTRONIC TECHNOLOGIES, LLC AND SHOULD NOT BE USED WITHOUT WRITTEN PERMISSION									
DIMENSION UNITS		SCALE		CURRENT REV DESC: ADD DATUM H					
mm		NTS		<p>SERIAL ATTACH SCSI RECEPTACLE, RIGHT-ANGLE SMT, 7.07MM HEIGHT</p> <p>PRODUCT CUSTOMER DRAWING</p>					
GENERAL TOLERANCES (UNLESS SPECIFIED)									
ANGULAR TOL ± 3.0 °									
4 PLACES ±		EC NO: 717471							
3 PLACES ±		DRWN: SKANG 2022/08/08							
2 PLACES ± 0.2		CHK'D: EKSOH 2022/08/11							
1 PLACE ±		APPR: SHLENI 2022/08/12							
0 PLACES ±		INITIAL REVISION:		DOCUMENT NUMBER		DOC TYPE		DOC PART	
DRAFT WHERE APPLICABLE MUST REMAIN WITHIN DIMENSIONS		THIRD ANGLE PROJECTION		DRAWING		SERIES		MATERIAL NUMBER	
		A3-SIZE		87945		SD-87945-001		PSD 001 C2	
				GENERAL MARKET		6 OF 6			