

CAUTION: STATIC SENSITIVE DEVICE  
FOLLOW PROPER E.S.D. HANDLING PROCEDURES  
WHEN WORKING WITH THIS PART.

ELECTRO-OPTICAL CHARACTERISTICS  $T_A=25^{\circ}\text{C}$   $V_f=12\text{V}$

| PARAMETER          | MIN         | TYP  | MAX | UNITS    | TEST COND            |
|--------------------|-------------|------|-----|----------|----------------------|
| PEAK WAVELENGTH    |             | 470  |     | nm       |                      |
| FORWARD VOLTAGE    |             | 12   |     | $V_f$    |                      |
| REVERSE VOLTAGE    | 5.0         |      |     | $V_r$    | $I_f=100\mu\text{A}$ |
| AXIAL INTENSITY*   |             | 1200 |     | mcd      | $V_f=12\text{V}$     |
| VIEWING ANGLE      |             | 85   |     | 2x theta |                      |
| EMITTED COLOR:     | BLUE        |      |     |          |                      |
| EPOXY LENS FINISH: | WATER CLEAR |      |     |          |                      |

\*PER LED

LIMITS OF SAFE OPERATION AT 25°C PER LED

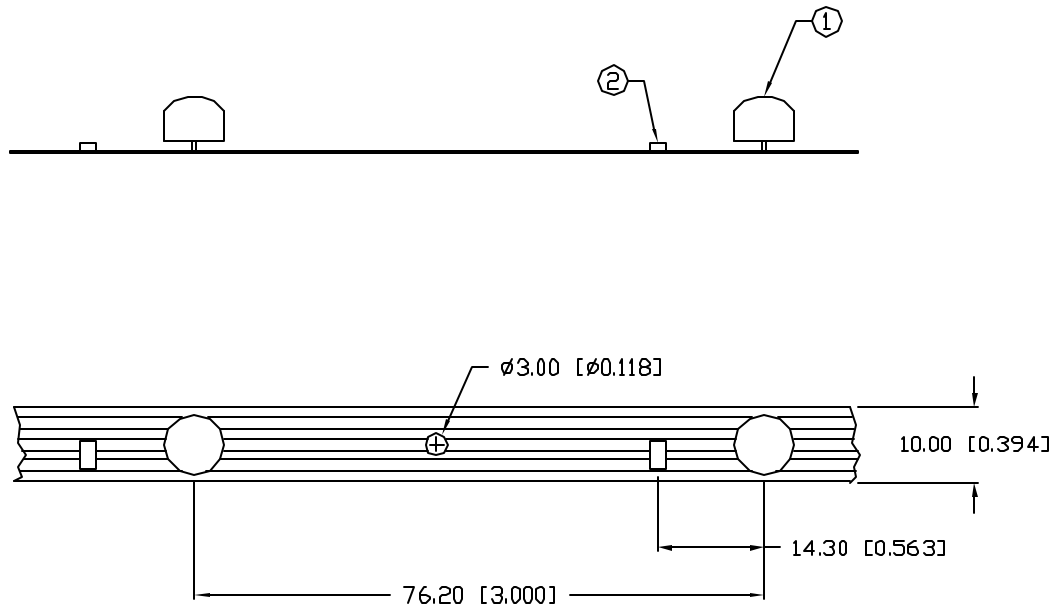
| PARAMETER                | MAX        | UNITS      |
|--------------------------|------------|------------|
| PEAK FORWARD CURRENT*    | 150        | mA         |
| STEADY CURRENT           | 20         | mA         |
| POWER DISSIPATION        | 105        | mW         |
| DERATE FROM 25°C         | -1.2       | mW/°C      |
| OPERATING, STORAGE TEMP. | -40 TO +85 | °C         |
| SOLDERING TEMP.          | +260       | °C         |
| 2.0mm FROM BODY          |            | 3 SEC. MAX |

\*  $t < 10\mu\text{s}$

NOTES:

- SSL-LX806F3USBC
- 1/8W 470Ω RESISTOR.

\*UNLESS OTHERWISE SPECIFIED TOLERANCES PER DECIMAL PRECISION ARE: X=±1 (±0.039), XX=±0.5 (±0.020), XXX=±0.25 (±0.010), XXXX=±0.127 (±0.005). LEAD SIZE=±0.05 (±0.002), LEAD LENGTH=±0.75 (±0.030). MIN= +DECIMAL PRECISION MAX.= +0.00 -DECIMAL PRECISION



REV.

PART NUMBER

SSP-FSD8DUSB-12V3

8mm STRIP LED, 3" SPACING,

470nm InGaN/SiC BLUE LED, WATER CLEAR LENS.

CONFIDENTIAL INFORMATION

THE INFORMATION CONTAINED IN THIS DOCUMENT IS THE PROPERTY OF SUNBRITE LEDS. EXCEPT AS SPECIFICALLY AUTHORIZED IN WRITING BY SUNBRITE LEDS, THE HOLDER OF THIS DOCUMENT SHALL KEEP ALL INFORMATION CONTAINED HEREIN CONFIDENTIAL AND SHALL PROTECT SAME IN WHOLE OR IN PART FROM DISCLOSURE AND DISSEMINATION TO ALL THIRD PARTIES.

RELIABILITY NOTE

OUR MANY YEARS OF EXPERIENCE DATA ACCUMULATION INDICATE THAT SOLDER HEAT IS A MAJOR CAUSE OF EARLY AND FUTURE FAILURE. PLEASE PAY ATTENTION TO YOUR SOLDERING PROCESS.



286 E. HELEN ROAD  
PALATINE, IL 60067-6976  
PHONE: +1.847.359.2790  
FAX: +1.847.359.2867  
WEB: www.sunbriteleds.com

DRAWN:  
BC

CHECKED:

APPROVED:

DATE: 7.30.02  
PAGE: 1 OF 1