

MOLEX P/N	LENGTH	TOLERANCE	TWINAX CABLE		MECHANICAL SPECIFICATION	ELECTRICAL SPECIFICATION	PINOUT TABLE
			IMPEDANCE	AWG			
2021431000	300mm	±10mm	85 Ohms	34	SFF-8611	PCI EXPRESS OCuLink SPECIFICATION REV 1.0	A
2021431001	500mm	±10mm	85 Ohms	34	SFF-8611	PCI EXPRESS OCuLink SPECIFICATION REV 1.0	A
2021431002	700mm	±10mm	85 Ohms	34	SFF-8611	PCI EXPRESS OCuLink SPECIFICATION REV 1.0	A
2021431003	1000mm	±10mm	85 Ohms	34	SFF-8611	PCI EXPRESS OCuLink SPECIFICATION REV 1.0	A
2021431050	300mm	±10mm	85 Ohms	34	SFF-8611	PCI EXPRESS OCuLink SPECIFICATION REV 1.0	B
2021431051	500mm	±10mm	85 Ohms	34	SFF-8611	PCI EXPRESS OCuLink SPECIFICATION REV 1.0	B
2021431052	700mm	±10mm	85 Ohms	34	SFF-8611	PCI EXPRESS OCuLink SPECIFICATION REV 1.0	B
2021431053	1000mm	±10mm	85 Ohms	34	SFF-8611	PCI EXPRESS OCuLink SPECIFICATION REV 1.0	B

- NOTES:
- MATERIALS:
    - BACKSHELLS - GLASS FILLED LCP, UL94-V0  
COLOR: BLACK
    - LATCHING - STAINLESS STEEL
    - CABLE - TWIN-AX SHIELD: ALUMINIZED POLYESTER FOIL
      - SIGNAL PAIR: SOLID SILVER PLATED COPPER
      - DRAIN: SOLID TINNED COPPER
      - CONFORMS TO VW1
    - PCB - HALOGEN FREE
  - PLUG MATES TO RIGHT-ANGLE AND VERTICAL RECEPTACLE SERIES 173162.
  - RoHS COMPLIANT. NO EXCEPTIONS.
  - MINIMAL GAP FROM TAPE TO BACKSHELL IS ACCEPTABLE

THIS DRAWING CONTAINS INFORMATION THAT IS PROPRIETARY TO MOLEX ELECTRONIC TECHNOLOGIES, LLC AND SHOULD NOT BE USED WITHOUT WRITTEN PERMISSION

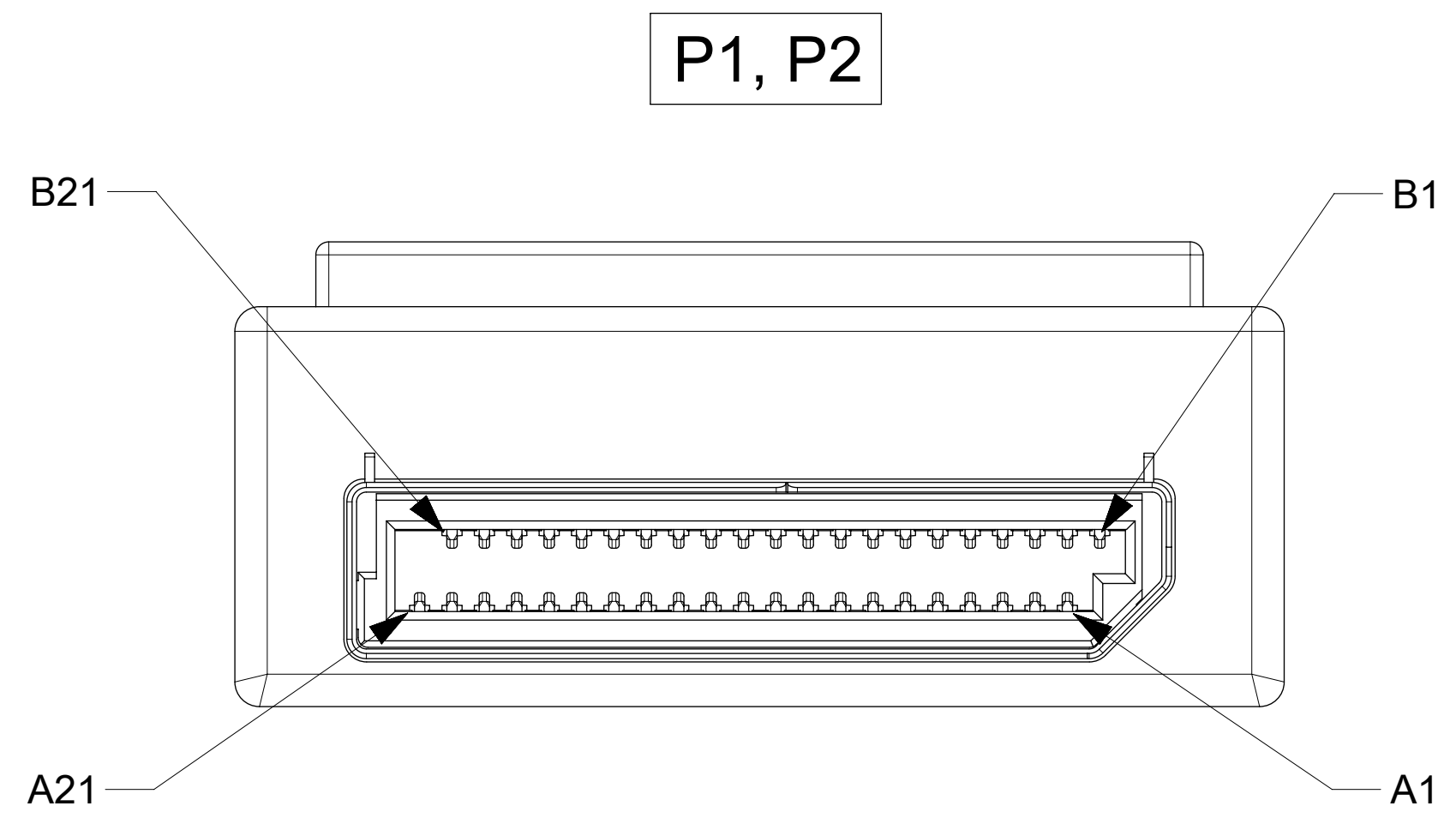
QUALITY SYMBOLS	F = 0 E = 0 D = 0 C = 0 B = 0 A = 0 0 = 0 1 = 0 2 = 0 3 = 0 4 = 0 5 = 0 6 = 0 7 = 0 8 = 0 9 = 0 10 = 0 11 = 0 12 = 0 13 = 0 14 = 0 15 = 0 16 = 0 17 = 0 18 = 0 19 = 0	EC NO: 169582 DRWN: KBASAPPAKORA CHKD: KBASAPPAKORA REV: APPR: RHSJL01	2017/12/14 2017/12/14 2017/12/15	GENERAL TOLERANCES (UNLESS SPECIFIED) ANGULAR TOL ± ° 4 PLACES ± 3 PLACES ± 2 PLACES ± 1 PLACE ± 0 PLACES ± DRAFT WHERE APPLICABLE MUST REMAIN WITHIN DIMENSIONS	DIMENSION UNITS: mm SCALE: 1:1 DRWN BY: JWALLACE01 DATE: 2016/08/26 CHKD BY: MSTRACK DATE: 2016/09/15 APPR BY: JCDEMPSEY DATE: 2016/09/23 DRAWING SIZE: D THIRD ANGLE PROJECTION	<p>NPIO 4X W/SB STRAIGHT TO STRAIGHT</p> <p>PRODUCT CUSTOMER DRAWING</p> <p>SERIES: 202143          MATERIAL NUMBER: SEE P/N TABLE          CUSTOMER: GENERAL MARKET</p> <p>DOCUMENT NUMBER: 2021431000          DOC TYPE: PSD          DOC PART: 000          SHEET NUMBER: 1 OF 3</p>
-----------------	--	---	--	---	---	---

PINOUT TABLE A

P1		SIGNAL TYPE	WIRE ID	AWG	P2	
PIN #	DESCRIPTION				PIN #	DESCRIPTION
A1	NO CONNECT	NC	NO WIRE		B1	NO CONNECT
A2	GROUND	----	TWINAX1	34	B2	GROUND
A3	PERp0	<---	TWINAX1	34	B3	PETp0
A4	PERn0	<---	TWINAX1	34	B4	PETn0
A5	GROUND	----	TWINAX2	34	B5	GROUND
A6	PERp1	<---	TWINAX2	34	B6	PETp1
A7	PERn1	<---	TWINAX2	34	B7	PETn1
A8	GROUND	----	TWINAX3	34	B8	GROUND
A9	BP_TYPE	<---	TWINAX3	34	B9	BP_TYPE
A10	CWAKE#	<---	TWINAX3	34	B10	CWAKE#
A11	GROUND	NC	NO WIRE		B11	GROUND
A12	VSP+	<---	TWINAX4	34	B12	VSP+
A13	VSP-	<---	TWINAX4	34	B13	VSP-
A14	GROUND	----	TWINAX4	34	B14	GROUND
A15	PERp2	<---	TWINAX5	34	B15	PETp2
A16	PERn2	<---	TWINAX5	34	B16	PETn2
A17	GROUND	----	TWINAX5	34	B17	GROUND
A18	PERp3	<---	TWINAX6	34	B18	PETp3
A19	PERn3	<---	TWINAX6	34	B19	PETn3
A20	GROUND	----	TWINAX6	34	B20	GROUND
A21	NO CONNECT	NC	NO WIRE		B21	NO CONNECT
B1	NO CONNECT	NC	NO WIRE		A1	NO CONNECT
B2	GROUND	----	TWINAX7	34	A2	GROUND
B3	PETp0	--->	TWINAX7	34	A3	PERp0
B4	PETn0	--->	TWINAX7	34	A4	PERn0
B5	GROUND	----	TWINAX8	34	A5	GROUND
B6	PETp1	--->	TWINAX8	34	A6	PERp1
B7	PETn1	--->	TWINAX8	34	A7	PERn1
B8	GROUND	----	TWINAX9	34	A8	GROUND
B9	2-WIRE CLOCK	--->	TWINAX9	34	A9	2-WIRE CLOCK
B10	2-WIRE DATA	--->	TWINAX9	34	A10	2-WIRE DATA
B11	GROUND	NC	NO WIRE		A11	GROUND
B12	PERST#	--->	TWINAX10	34	A12	PERST#
B13	CPRSNT#	--->	TWINAX10	34	A13	CPRSNT#
B14	GROUND	----	TWINAX10	34	A14	GROUND
B15	PETp2	--->	TWINAX11	34	A15	PERp2
B16	PETn2	--->	TWINAX11	34	A16	PERn2
B17	GROUND	----	TWINAX11	34	A17	GROUND
B18	PETp3	--->	TWINAX12	34	A18	PERp3
B19	PETn3	--->	TWINAX12	34	A19	PERn3
B20	GROUND	----	TWINAX12	34	A20	GROUND
B21	NO CONNECT	NC	NO WIRE		A21	NO CONNECT

PINOUT TABLE B

P1		SIGNAL TYPE	WIRE ID	AWG	P2	
PIN #	DESCRIPTION				PIN #	DESCRIPTION
A1	A1	<-->	DISCRETE	30	B1	B1
A2	GROUND	----	TWINAX1	34	B2	GROUND
A3	PERp0	<---	TWINAX1	34	B3	PETp0
A4	PERn0	<---	TWINAX1	34	B4	PETn0
A5	GROUND	----	TWINAX2	34	B5	GROUND
A6	PERp1	<---	TWINAX2	34	B6	PETp1
A7	PERn1	<---	TWINAX2	34	B7	PETn1
A8	GROUND	----	TWINAX3	34	B8	GROUND
A9	BP_TYPE	<---	TWINAX3	34	B9	BP_TYPE
A10	CWAKE#	<---	TWINAX3	34	B10	CWAKE#
A11	GROUND	<-->	DISCRETE	34 (RED)	B11	GROUND/SB
A12	VSP+	<---	TWINAX4	34	B12	VSP+
A13	VSP-	<---	TWINAX4	34	B13	VSP-
A14	GROUND	----	TWINAX4	34	B14	GROUND
A15	PERp2	<---	TWINAX5	34	B15	PETp2
A16	PERn2	<---	TWINAX5	34	B16	PETn2
A17	GROUND	----	TWINAX5	34	B17	GROUND
A18	PERp3	<---	TWINAX6	34	B18	PETp3
A19	PERn3	<---	TWINAX6	34	B19	PETn3
A20	GROUND	----	TWINAX6	34	B20	GROUND
A21	A21	<-->	DISCRETE	30	B21	B21
B1	B1	<-->	DISCRETE	30	A1	A1
B2	GROUND	----	TWINAX7	34	A2	GROUND
B3	PETp0	--->	TWINAX7	34	A3	PERp0
B4	PETn0	--->	TWINAX7	34	A4	PERn0
B5	GROUND	----	TWINAX8	34	A5	GROUND
B6	PETp1	--->	TWINAX8	34	A6	PERp1
B7	PETn1	--->	TWINAX8	34	A7	PERn1
B8	GROUND	----	TWINAX9	34	A8	GROUND
B9	2-WIRE CLOCK	--->	TWINAX9	34	A9	2-WIRE CLOCK
B10	2-WIRE DATA	--->	TWINAX9	34	A10	2-WIRE DATA
B11	GROUND	<-->	DISCRETE	34 (BLK)	A11	GROUND/SB
B12	PERST#	--->	TWINAX10	34	A12	PERST#
B13	CPRSNT#	--->	TWINAX10	34	A13	CPRSNT#
B14	GROUND	----	TWINAX10	34	A14	GROUND
B15	PETp2	--->	TWINAX11	34	A15	PERp2
B16	PETn2	--->	TWINAX11	34	A16	PERn2
B17	GROUND	----	TWINAX11	34	A17	GROUND
B18	PETp3	--->	TWINAX12	34	A18	PERp3
B19	PETn3	--->	TWINAX12	34	A19	PERn3
B20	GROUND	----	TWINAX12	34	A20	GROUND
B21	B21	<-->	DISCRETE	30	A21	A21



VIEW FROM MATING END OF CONNECTOR

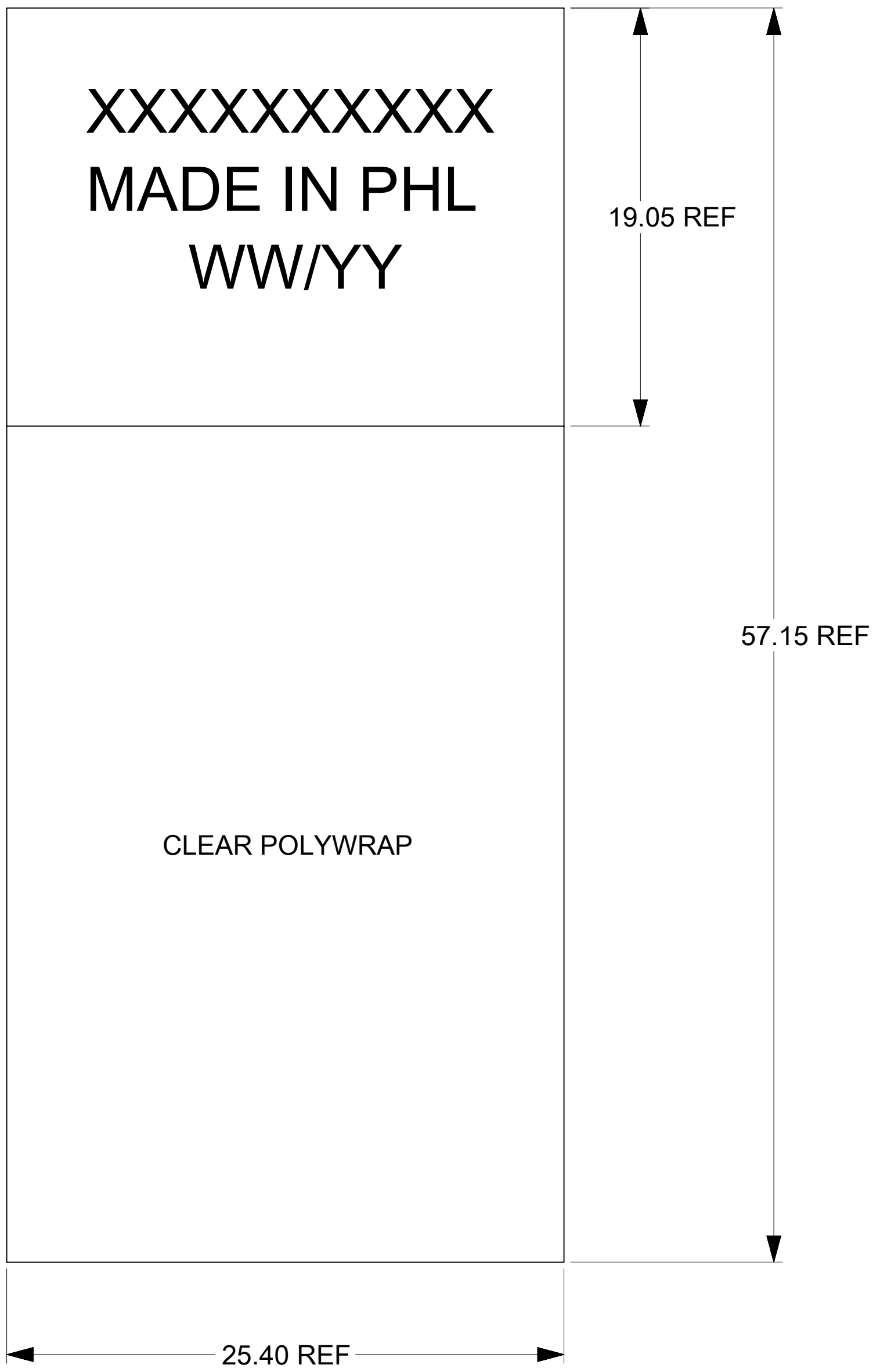
**LEGEND**  
 ---- = THRU LINE  
 ---> = TRANSMIT TO RECEIVE ON HIGH SPEED LINE  
 <--> = SIDEBAND  
 NC = NOT CONNECTED

**NOTE: CONNECTION DETERMINED BY PIN #. DESCRIPTION FOR REFERENCE ONLY.**

<b>QUALITY SYMBOLS</b> F = 0 E = 0 D = 0 C = 0 B = 0 A = 0 V = 0	THIS DRAWING CONTAINS INFORMATION THAT IS PROPRIETARY TO MOLEX ELECTRONIC TECHNOLOGIES, LLC AND SHOULD NOT BE USED WITHOUT WRITTEN PERMISSION		DIMENSION UNITS <b>mm</b>	SCALE <b>1:1</b>	
	EC NO: 169582 DRWN: KBASAPPAKORA CHKD: KBASAPPAKORA REV: APPR: RHSJ01	2017/12/14 2017/12/14 2017/12/15	GENERAL TOLERANCES (UNLESS SPECIFIED) ANGULAR TOL ± ° 4 PLACES ± 3 PLACES ± 2 PLACES ± 1 PLACE ± 0 PLACES ± DRAFT WHERE APPLICABLE MUST REMAIN WITHIN DIMENSIONS	DRWN BY <b>JWALLACE01</b>	
		DRWN BY <b>MSTRACK</b>	DATE <b>2016/09/15</b>		<b>PRODUCT CUSTOMER DRAWING</b>
		DRWN BY <b>JCDEMPSEY</b>	DATE <b>2016/09/23</b>		
<b>RELEASE STATUS</b> P1 <b>RELEASE DATE</b> 15.12.2017 01:26:08		DRAWING SIZE <b>D</b>	THIRD ANGLE PROJECTION		MATERIAL NUMBER <b>SEE P/N TABLE</b>
		DOCUMENT NUMBER <b>2021431000</b>		DOC TYPE <b>PSD</b>	DOC PART <b>000</b>
				SHEET NUMBER <b>2 OF 3</b>	

LABEL DETAIL

MOLEX P/N ---->  
 MANUFACTURING LOCATION ---->  
 MANUFACTURE DATE ---->  
 WW: WEEK OF YEAR  
 YY: LAST TWO DIGITS OF YEAR



THIS DRAWING CONTAINS INFORMATION THAT IS PROPRIETARY TO MOLEX ELECTRONIC TECHNOLOGIES, LLC AND SHOULD NOT BE USED WITHOUT WRITTEN PERMISSION												
QUALITY SYMBOLS F = 0 E = 0 D = 0 C = 0 B = 0 A = 0 0 = 0	EC NO: 169582	DRWN: 2017/12/14	CHKD: 2017/12/14	APPD: 2017/12/15	GENERAL TOLERANCES (UNLESS SPECIFIED) ANGULAR TOL ± ° 4 PLACES ± 3 PLACES ± 2 PLACES ± 1 PLACE ± 0 PLACES ± DRAFT WHERE APPLICABLE MUST REMAIN WITHIN DIMENSIONS	DIMENSION UNITS	SCALE					
						mm	5:1					
	DRWN BY		DATE			JWALLACE01	2016/08/26					
	CHKD BY		DATE			MSTRACK	2016/09/15					
	APPD BY		DATE			JCDEMPSEY	2016/09/23					
	DRAWING SIZE		THIRD ANGLE PROJECTION		PRODUCT CUSTOMER DRAWING							
	D		D		SERIES	MATERIAL NUMBER	CUSTOMER		NPIO 4X W/SB STRAIGHT TO STRAIGHT			
	202143		SEE P/N TABLE		GENERAL MARKET		PRODUCT CUSTOMER DRAWING					
	DOCUMENT NUMBER		DOC TYPE		DOC PART		SHEET NUMBER		3 OF 3			
	2021431000		PSD		000		3					