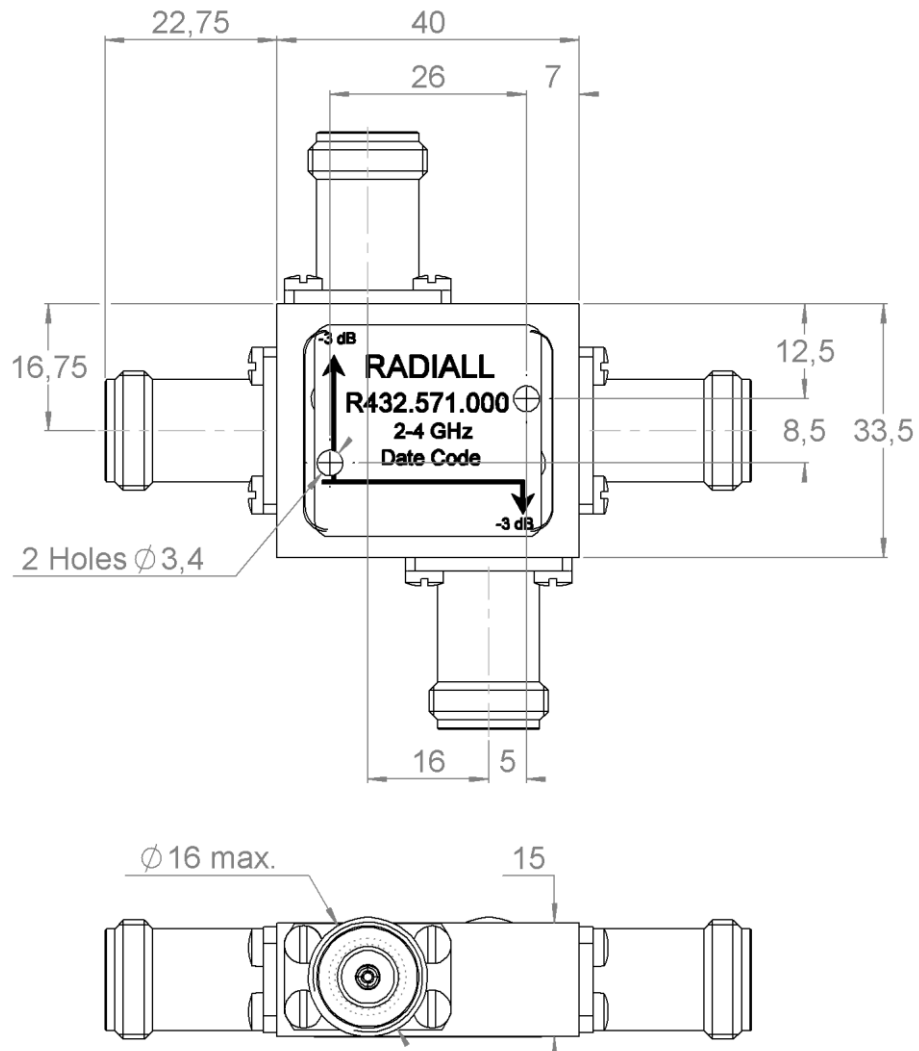


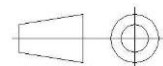
PAGE 1/2	ISSUE 13-07-17C	SERIES COUPLEUR	PART NUMBER R432571000
----------	-----------------	---------------------------	-------------------------------

Scale 1 : 1



All dimensions are in mm. Tolerances according ISO 2768 m-H

Weight **148,5400** g
Specification



ELECTRICAL CHARACTERISTICS

Frequency operating range :	2 – 4 GHz
Impedance :	50 Ω
VSWR	1.20 max.
Nominal Coupling :	3 dB
Insertion Loss :	0.3 dB max.
Isolation :	20 dB mini
Amplitude Balance :	± 0.5 dB
Phase Balance :	$\pm 5^\circ$
Average Power at 25°C	80W
Peak Power at 25°C	3000W

MECHANICAL CHARACTERISTICS

Connector type :	N female per MIL-C 39012
------------------	--------------------------

ENVIRONMENTAL CHARACTERISTICS

Operating temperature :	-25°C / +70°C
Storage temperature :	-25°C / +70°C