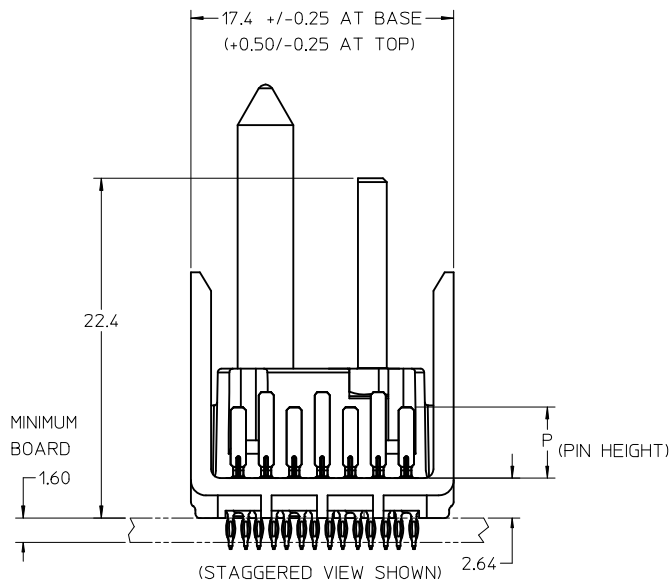
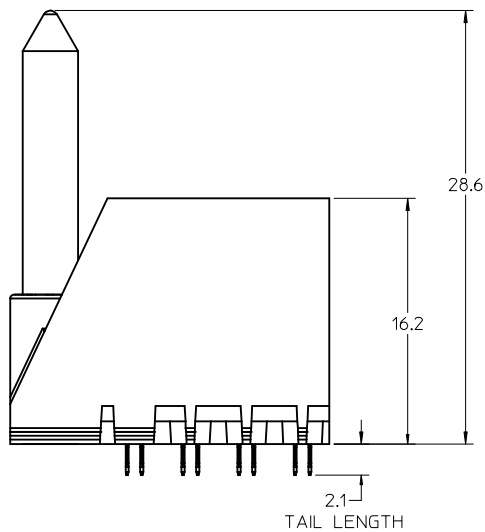
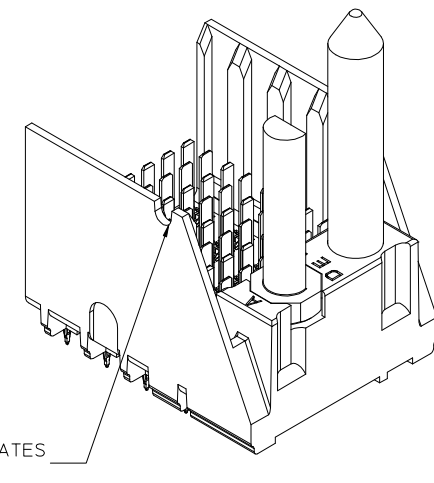
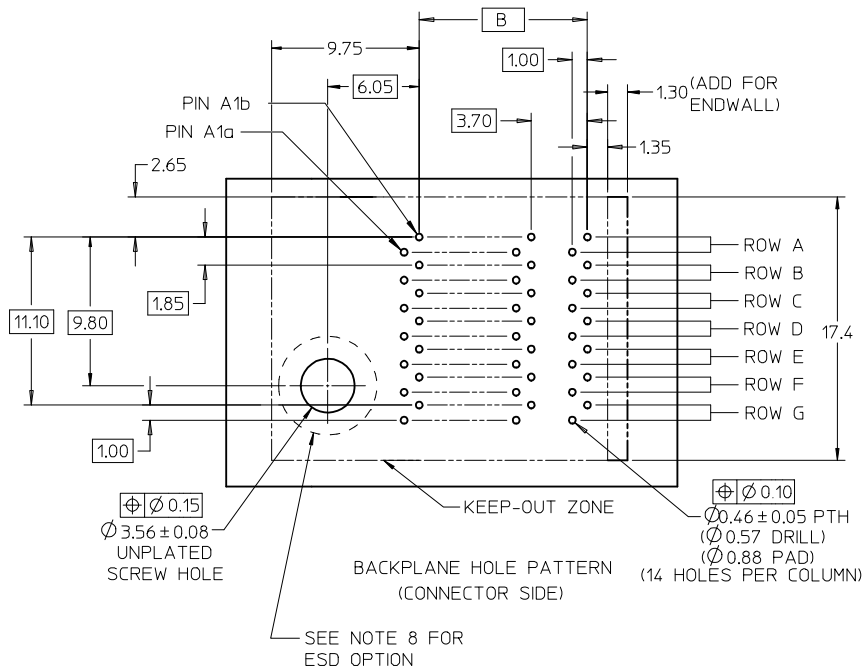


KEY SHOWN IN POSITION "E"



(STAGGERED VIEW SHOWN)



NOTCH DESIGNATES ROW A

ADD ORTHO TEXT, SHT-4 EC NO: UCP2009-1447 DRWING: STEWART 2008/12/10 CHKD: BINGHAM 2008/12/11 APPR: BINGHAM 2008/12/11	QUALITY SYMBOLS ▽=0 ▽=0	GENERAL TOLERANCES (UNLESS SPECIFIED)		DIMENSION STYLE <b>MM ONLY</b>	SCALE <b>4:1</b>	DESIGN UNITS <b>METRIC</b>	THIRD ANGLE PROJECTION		
		4 PLACES ± --- ± ---	3 PLACES ± --- ± ---	2 PLACES ± 0.13 ± ---	1 PLACE ± 0.25 ± ---	DRAWN BY BPISZCZOR	DATE 3/28/06	TITLE <b>I-TRAC BACKPLANE 7 ROW GUIDE LEFT ASSEMBLY SALES DRAWING</b>	
		ANGULAR ± 1/2°				CHECKED BY JLAURX	DATE 2007/02/06	MOLEX INCORPORATED	
		DRAFT WHERE APPLICABLE MUST REMAIN WITHIN DIMENSIONS				APPROVED BY CBIXLER	DATE 2007/02/06	MATERIAL NO. <b>SEE CHART</b>	SHEET NO. <b>1 OF 4</b>

# 76015-\*\*\*\*

MODULE TYPE -- TAIL PLATING TYPE

GUIDE LEFT -- TIN/LEAD = 2  
 GUIDE LEFT -- TIN ONLY = 3  
 GUIDE LEFT W/END -- TIN/LEAD = 6  
 GUIDE LEFT W/END -- TIN ONLY = 7

# OF COLUMNS

4 = 4 COL  
 6 = 6 COL  
 1 = 10 COL

KEY ORIENTATION

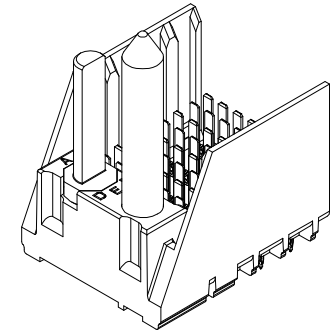
0 = NO KEY  
 1 = A  
 2 = B  
 3 = C  
 4 = D  
 5 = E  
 6 = F  
 7 = G  
 8 = H

PIN LENGTH (P)

2 = 3.90  
 3 = 4.70  
 4 = 5.70  
 5 = 4.70 & 5.70 STAGGERED

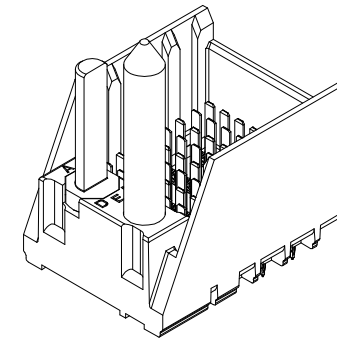
MATERIAL NUMBER	# OF COLUMNS	DIM "A"	DIM "B"
76015-4**	4	21.1	11.10
76015-6**	6	28.5	18.50
76015-1**	10	43.3	33.30

GUIDE LEFT STYLE



MATERIAL NUMBER	# OF COLUMNS	DIM "A"	DIM "B"
76015-4**	4	22.4	11.10
76015-6**	6	29.8	18.50
76015-1**	10	44.6	33.30

GUIDE LEFT W/END STYLE

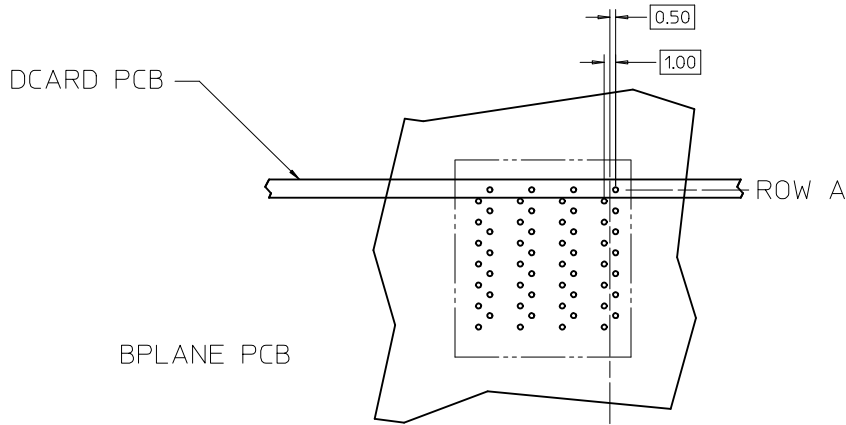


NOTES:

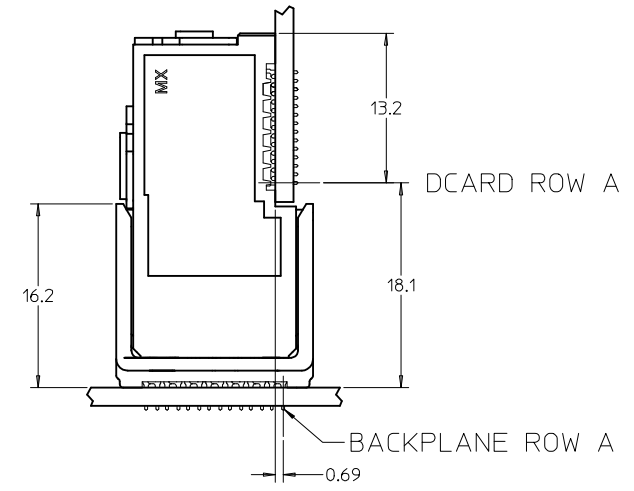
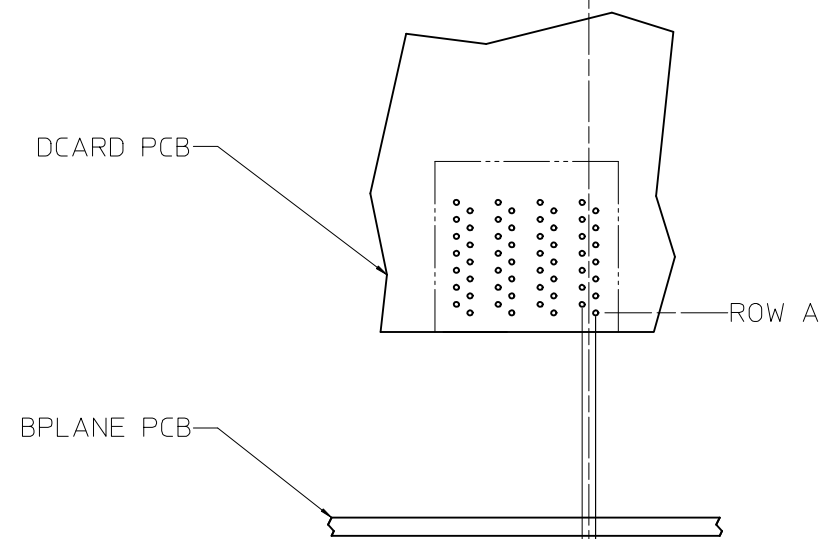
- MATERIALS: HOUSING - LIQUID CRYSTAL POLYMER (LCP)  
GLASS-FILLED, UL94V-0  
TERMINALS - HIGH PERFORMANCE COPPER ALLOY
- FINISH: 30uIN MIN. GOLD IN CONTACT AREA.  
SELECTIVE TIN/LEAD OR SELECTIVE TIN  
ON PCB TAILS. NICKEL OVERALL.
- REFER TO MOLEX PRODUCT SPECIFICATION PS-75710-999  
FOR PERFORMANCE SPECIFICATIONS.
- FOR MIXED CONTACT MATING LENGTHS, CONSULT MOLEX  
FOR AVAILABILITY.
- THIS PART CONFORMS TO CLASS B REQUIREMENTS OF  
COSMETIC SPEC PS-45499-002.
- PACKAGE PER: PK-70873-802.
- GUIDED PARTS TO BE SHIPPED WITH 2-56 UNC B SCREW P/N 73774-1000.
- FOR GROUNDED GUIDE PINS USE DIA 3.56+/-0.08 (PTH),  
DIA 3.66 (DRILL), AND DIA 6.5 (PAD).
- REFER TO PCB ROUTING GUIDE FOR ANTIPAD AND ROUTING RECOMMENDATIONS.

SEE SHEET FOUR IEC NO: UCP2009-1447 DRWNG: STEWART 2008/12/10 CHKD: BINGHAM 2008/12/11 APPR: BINGHAM 2008/12/11	QUALITY SYMBOLS	GENERAL TOLERANCES (UNLESS SPECIFIED)		DIMENSION STYLE	SCALE	DESIGN UNITS	THIRD ANGLE PROJECTION
	▽=0	mm	INCH	MM ONLY	4:1	METRIC	
	▽=0	4 PLACES ± --- ± ---	3 PLACES ± --- ± ---	DRAWN BY DATE	TITLE		
		2 PLACES ± 0.13 ± ---	1 PLACE ± 0.25 ± ---	BPI SZCZOR 3/28/06	I-TRAC BACKPLANE 7 ROW GUIDE LEFT ASSEMBLY SALES DRAWING		
REV	DESCRIPTION	ANGULAR ±1/2°		CHECKED BY DATE	MOLEX MOLEX INCORPORATED		
B2		DRAFT WHERE APPLICABLE MUST REMAIN WITHIN DIMENSIONS		APPROVED BY DATE	DOCUMENT NO.		SHEET NO.
				CBIXLER 2007/02/06	SD-76015-002		2 OF 4
				MATERIAL NO.	THIS DRAWING CONTAINS INFORMATION THAT IS PROPRIETARY TO MOLEX INCORPORATED AND SHOULD NOT BE USED WITHOUT WRITTEN PERMISSION		
				SIZE			

# 7 ROW I-TRAC BOARD RELATIONSHIPS



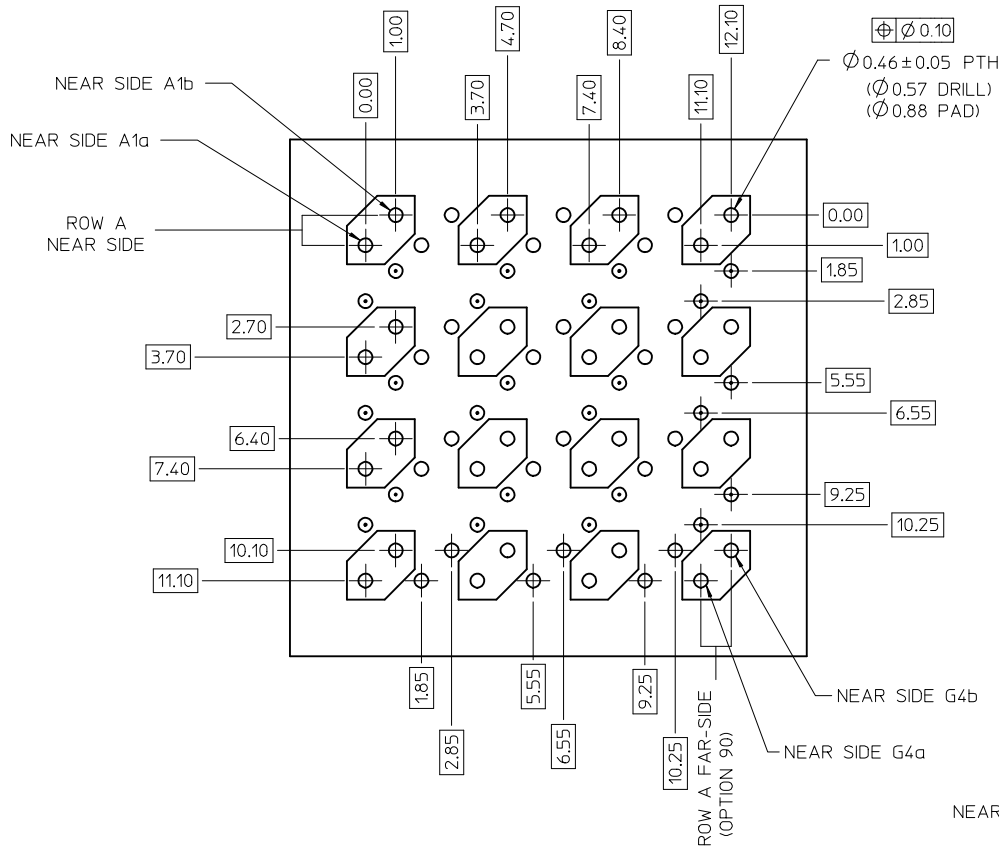
CENTERLINE OF  
HOLE PATTERN  
COLUMN



SEE SHEET FOUR EC NO: UCP2009-1447 DRAWN: STEWART 2008/12/10 CHKD: BINGHAM 2008/12/11 APPR: BINGHAM 2008/12/11	DESCRIPTION	QUALITY SYMBOLS	GENERAL TOLERANCES (UNLESS SPECIFIED)		DIMENSION STYLE	SCALE	DESIGN UNITS	THIRD ANGLE PROJECTION
	REV	▽=0 ▽=0	mm	INCH	MM ONLY	4:1	METRIC	
	B2		4 PLACES ± --- ± ---		DRAWN BY DATE			
			3 PLACES ± --- ± ---		BPISZCZOR 3/28/06			

2 PLACES ± 0.13 ± ---	DATE	TITLE
1 PLACE ± 0.25 ± ---	JLAURX 2007/02/06	
ANGULAR ± 1/2°	APPROVED BY DATE	MOLEX INCORPORATED
DRAFT WHERE APPLICABLE MUST REMAIN WITHIN DIMENSIONS	CBIXLER 2007/02/06	
	MATERIAL NO.	SD-76015-002
	SIZE	SHEET NO.
		3 OF 4

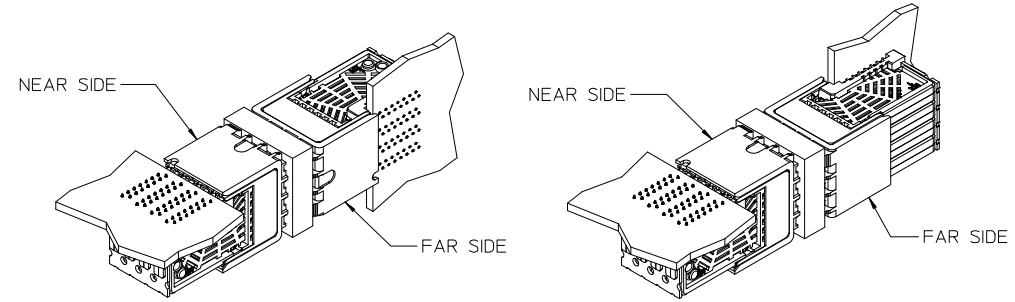
THIS DRAWING CONTAINS INFORMATION THAT IS PROPRIETARY TO MOLEX INCORPORATED AND SHOULD NOT BE USED WITHOUT WRITTEN PERMISSION	
---	--



ORTHO PIN MAPPING			
OPTION 90 (NEAR SIDE - FAR SIDE)			
A1b-G4b	A2b-E4b	A3b-C4b	A4b-A4b
A1a-G4a	A2a-E4a	A3a-C4a	A4a-A4a
C1b-G3b	C2b-E3b	C3b-C3b	C4b-A3b
C1a-G3a	C2a-E3a	C3a-C3a	C4a-A3a
E1b-G2b	E2b-E2b	E3b-C2b	E4b-A2b
E1a-G2a	E2a-E2a	E3a-C2a	E4a-A2a
G1b-G1b	G2b-E1b	G3b-C1b	G4b-A1b
G1a-G1a	G2a-E1a	G3a-C1a	G4a-A1a

ORTHO PIN MAPPING			
OPTION 270 (NEAR SIDE - FAR SIDE)			
A1b-A1a	A2b-C1a	A3b-E1a	A4b-G1a
A1a-A1b	A2a-C1b	A3a-E1b	A4a-G1b
C1b-A2a	C2b-C2a	C3b-E2a	C4b-G2a
C1a-A2b	C2a-C2b	C3a-E2b	C4a-G2b
E1b-A3a	E2b-C3a	E3b-E3a	E4b-G3a
E1a-A3b	E2a-C3b	E3a-E3b	E4a-G3b
G1b-A4a	G2b-C4a	G3b-E4a	G4b-G4a
G1a-A4b	G2a-C4b	G3a-E4b	G4a-G4b

Orthogonal PCB Layout



OPTION 90

OPTION 270

NOTES:



- ⊙ NEAR SIDE GROUNDS
- FAR SIDE GROUNDS

<b>ADD ORTHO PCB TEXT</b> EC NO: UCP2009-1447 DRAWN: STEWART 2008/12/10 CHKD: BINGHAM 2008/12/11 APPR: BINGHAM 2008/12/11	DESCRIPTION REV: B2	QUALITY SYMBOLS ▽=0 ▽=0	GENERAL TOLERANCES (UNLESS SPECIFIED) <table border="1"> <tr><th></th><th>mm</th><th>INCH</th></tr> <tr><td>4 PLACES ±</td><td>---</td><td>±---</td></tr> <tr><td>3 PLACES ±</td><td>---</td><td>±---</td></tr> <tr><td>2 PLACES ±</td><td>0.13</td><td>±---</td></tr> <tr><td>1 PLACE ±</td><td>0.25</td><td>±---</td></tr> </table> ANGULAR ±1/2°		mm	INCH	4 PLACES ±	---	±---	3 PLACES ±	---	±---	2 PLACES ±	0.13	±---	1 PLACE ±	0.25	±---	DIMENSION STYLE <b>MM ONLY</b> DRAWN BY DATE BPISZCZOR 3/28/06 CHECKED BY DATE JLAURX 2007/02/06 APPROVED BY DATE CBIXLER 2007/02/06	SCALE <b>4:1</b> DESIGN UNITS <b>METRIC</b> THIRD ANGLE PROJECTION	TITLE <b>I-TRAC BACKPLANE 7 ROW GUIDE LEFT ASSEMBLY SALES DRAWING</b>
			mm	INCH																	
		4 PLACES ±	---	±---																	
		3 PLACES ±	---	±---																	
2 PLACES ±	0.13	±---																			
1 PLACE ±	0.25	±---																			
DRAFT WHERE APPLICABLE MUST REMAIN WITHIN DIMENSIONS	MATERIAL NO. <b>SEE CHART</b>	DOCUMENT NO. <b>SD-76015-002</b>	SHEET NO. <b>4 OF 4</b>																		
THIS DRAWING CONTAINS INFORMATION THAT IS PROPRIETARY TO MOLEX INCORPORATED AND SHOULD NOT BE USED WITHOUT WRITTEN PERMISSION				MOLEX <b>MOLEX INCORPORATED</b>	MOLEX logo																
				MOLEX logo																	