

LINEARITY	RT=501	RT=102	RT=202	RT=502	RT=103	RT=203	RT=503	RT=104
A	2-802-5590 A	2-802-6636 A	2-802-7864 N/C	2-802-6136 A	2-802-6821 A	2-802-7867 N/C	2-802-6438 A	2-802-7872 N/C
B	2-802-7862 N/C	2-802-5501 A	2-802-7865 N/C	2-802-5504 A	2-802-5507 B	2-802-7868 N/C	2-802-7870 N/C	2-802-7873 N/C
C	2-802-7863 N/C	2-802-6084 A	2-802-7866 N/C	2-802-5505 A	2-802-6050 A	2-802-7869 N/C	2-802-7871 N/C	2-802-7874 N/C
D	2-802-8181 N/C	2-802-8182 N/C	2-802-8183 N/C	2-802-8184 N/C	2-802-8185 N/C	2-802-8186 N/C	2-802-8187 N/C	2-802-8188 N/C
	FILM ELEMENT 170-43-80 FILM MATERIAL 21-2-0410	FILM ELEMENT 170-43-81 FILM MATERIAL 21-2-0820	FILM ELEMENT 170-43-82 FILM MATERIAL 21-2-1640	FILM ELEMENT 170-43-83 FILM MATERIAL 21-2-4110	FILM ELEMENT 170-43-84 FILM MATERIAL 21-2-8220	FILM ELEMENT 170-43-85 FILM MATERIAL 21-2-1651	FILM ELEMENT 170-43-86 FILM MATERIAL 21-2-4111	FILM ELEMENT 170-43-87 FILM MATERIAL 21-2-8221

CAD: MKII STD DISK: A: 78S1PL2

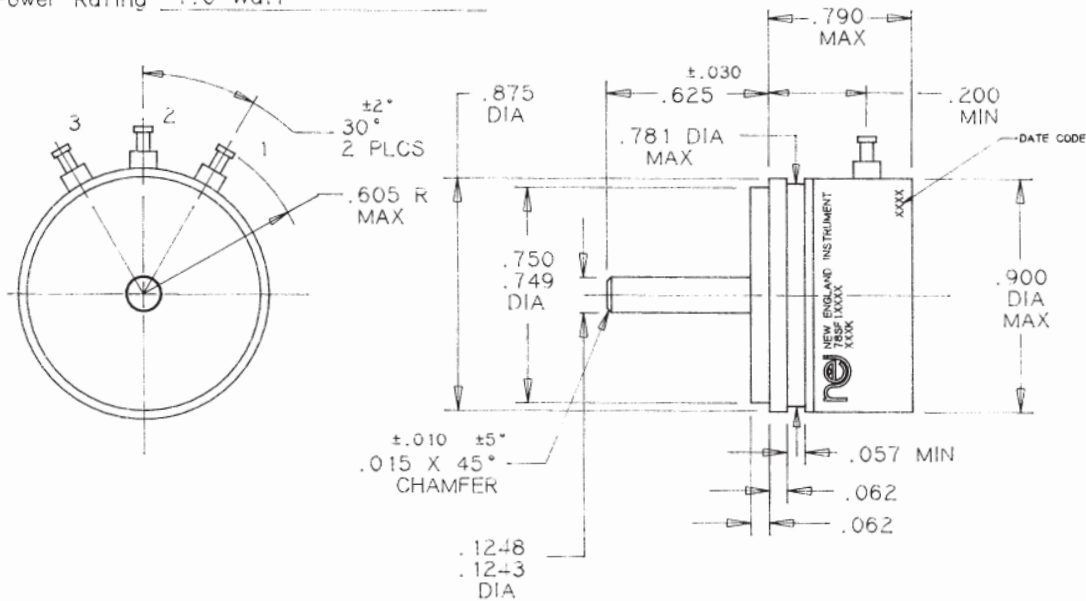
## SPECIFICATIONS

### ELECTRICAL PARAMETERS

Resistance ABOVE  $\pm 10\%$   
 Independent Linearity A  $\pm 1.0\%$  B  $\pm 0.5\%$  C  $\pm 0.25\%$  D  $\pm 0.10\%$   
 Theoretical Electrical Angle 340 $^\circ$   
 Output Smoothness 0.125\%  
 per MIL-R-39023  
 Dielectric Withstanding Voltage 1000 VRMS  
 Insulation Resistance 1000 Megohms Min @ 500 VDC  
 End Voltage 1.5% Max.  
 Power Rating 1.0 Watt

### MECHANICAL PARAMETERS

Mechanical Travel 360 $^\circ$  Continuous  
 Starting Torque 0.5 in-oz Max  
 (over Theoretical Electrical Angle)  
 End Play 0.0005 Min / 0.005 Max



REVISIONS							
LTR	ECN	DATE	APP	LTR	ECN	DATE	APP
SEE SHEET ONE							

**ne** NEW ENGLAND INSTRUMENT COMPANY  
 16 AIRPORT DRIVE, HOPEDALE, MA 01747

SIZE B	CODE IDENT. NO. 08815	PRODUCT PARTS LIST TYPE NUMBER 78SF1
UNLESS OTHERWISE SPECIFIED DIMENSIONS ARE IN INCHES		PARTS LIST NUMBER 78SF1
TOLERANCES: FRACTIONS $\pm 1/64$ DECIMALS $\pm .005$ ANGLES $\pm 2^\circ$		REV. / SHEET 2 OF 2

78SF1 2/2