

NOTES:

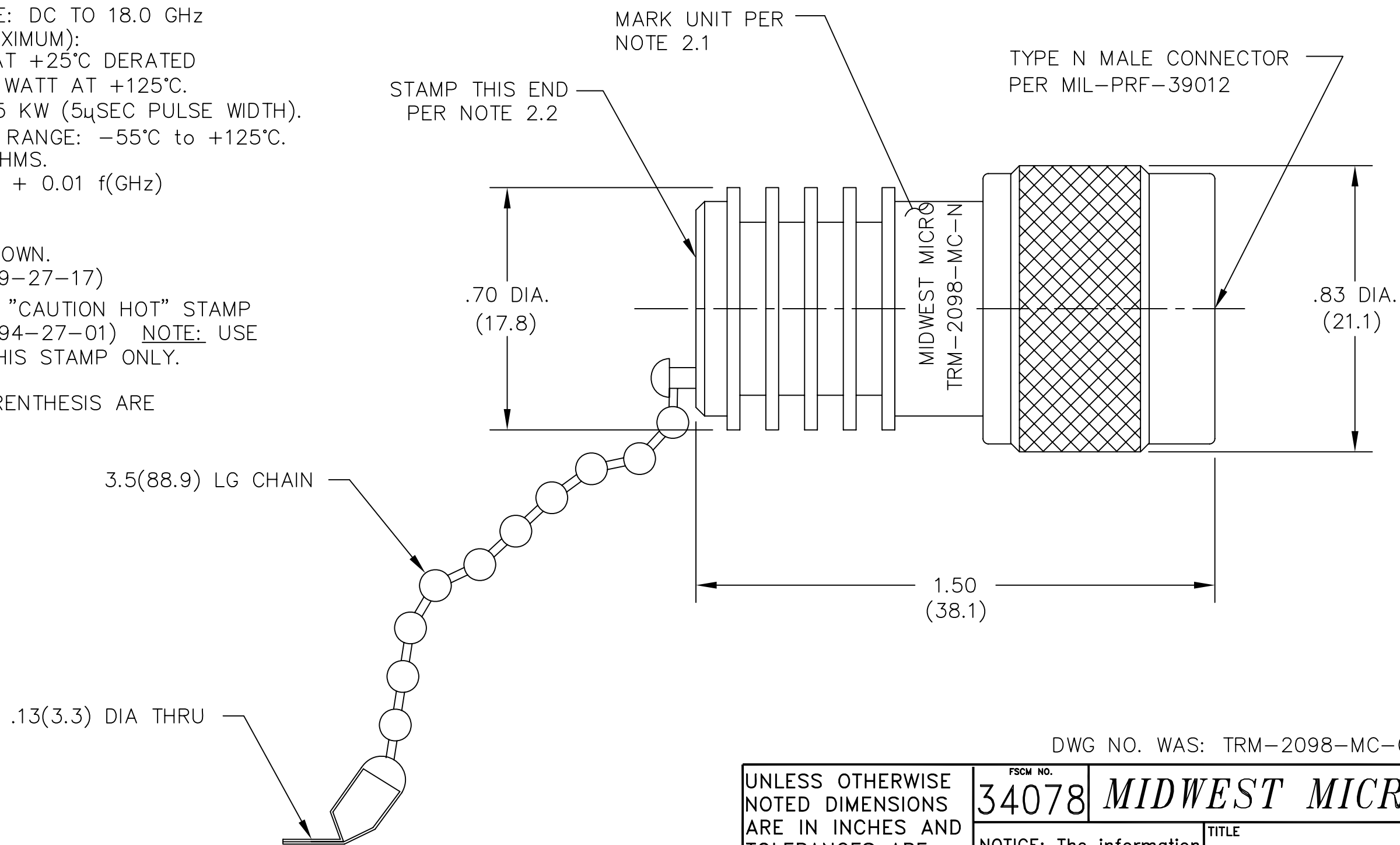
1.0 ELECTRICAL SPECIFICATIONS

- 1.1 FREQUENCY RANGE: DC TO 18.0 GHz
- 1.2 INPUT POWER (MAXIMUM):
10 WATTS AVG. AT +25°C DERATED
LINEARLY TO 1.0 WATT AT +125°C.
- 1.3 PEAK POWER: 0.25 KW (5μSEC PULSE WIDTH).
- 1.4 OPERATING TEMP. RANGE: -55°C to +125°C.
- 1.5 IMPEDANCE: 50 OHMS.
- 1.6 VSWR (MAX.): 1.05 + 0.01 f(GHz)

2.0 MARKING

- 2.1 MARK UNIT AS SHOWN.
(REF: INK-02639-27-17)
- 2.2 STAMP END WITH "CAUTION HOT" STAMP
(REF.: INK-04494-27-01) NOTE: USE
RED INK FOR THIS STAMP ONLY.

3.0 DIMENSIONS IN PARENTHESIS ARE
MILLIMETERS.



DWG NO. WAS: TRM-2098-MC-000-07

| REV. | DESCRIPTION | DATE |
|------|----------------------|----------|
| - | RELEASED | 7/27/90 |
| -1 | UPDATE MODEL NO. | 5/17/91 |
| A | UPDATE MARKING/SPECS | 6/15/93 |
| B | ECN 13716 | 6/23/94 |
| B1 | ADDED TITLEBLOCK | 10/31/05 |

| | | | | | |
|---|--|---|------------------------------------|--------------------------------------|--|
| UNLESS OTHERWISE NOTED DIMENSIONS ARE IN INCHES AND TOLERANCES ARE: | | FSCM NO. 34078 | | MIDWEST MICROWAVE | |
| 3 PLACE DECIMALS ±.005 | | NOTICE: The information contained in this drawing is proprietary and must not be used without the permission of Midwest Microwave | | TITLE TERMINATION - TYPE N | |
| 2 PLACE DECIMALS ±.02 | | | | | |
| FRACTIONS ±1/64 | | | | | |
| PARALLELITY: T.I.R. _____ | | | | | |
| FLATNESS: T.I.R. _____ | | DRAWN/DATE D.ESTY 7/23/90 | ENG./DATE R.ANDERSON 7/27/90 | DRAWING NUMBER TRM-2098-MC-NNN-07 | |
| CONCENTRICITY: T.I.R. _____ | | CHECKED/DATE A.BEATTY 7/28/90 | APPROVED/DATE | SCALE: 3=1 SHEET 1 of 1 | |
| ANGLES AND PERPENDICULARITY: ±1° | | | | | |