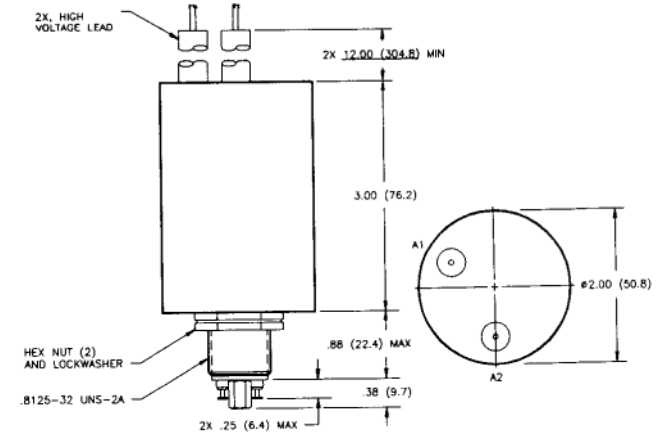


K70 Series Make Only Load Switching — 70 kV Relays

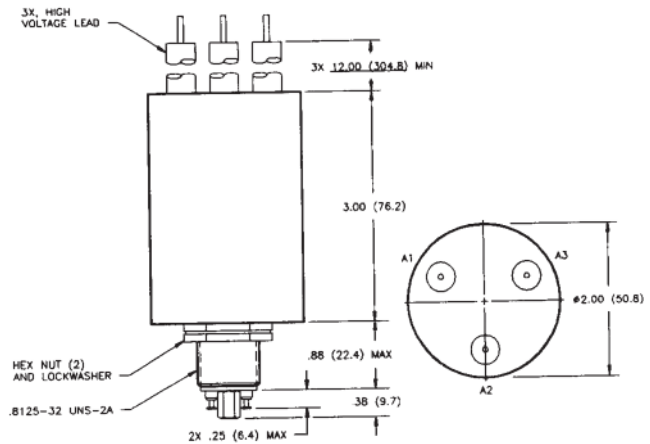
**K70A and K70B
Product Facts**

- New, small, compact 70 kV relay package
- SF-6 gas-filled for capacitive discharge and high voltage isolation applications
- Suitable for charging and discharging of high voltage capacitors
- Safe for use in adverse environments



**K70C
Product Facts**

- SPDT version of K70A
- SF-6 gas-filled for capacitive discharge and high voltage isolation applications
- Suitable for charging and discharging of high voltage capacitors



**Product Specifications for
K70A, K70B and K70C**

- Contact Arrangement** —
 K70A — SPST-NO
 K70B — SPST-NC
 K70C — SPDT
- Contact Form** —
 K70A — A
 K70B — B
 K70C — C
- Test Voltage, DC or 60 Hz (Peak)** —
 75 kV
- Rated Operating Voltage (Peak)** —
 DC — 70 kV
 60 Hz RMS — 30 kV
- Continuous Carry Current, Max.** —
 DC or 60 Hz — 10 A
 Coil Hi-Pot (Vrms, 60 Hz) — 500 A
- Contact Capacitance** —
 Between Open Contacts — N/A
 Open Contacts to Ground — N/A
- Contact Resistance, Max.** —
 2.0 ohm*

For factory-direct application assistance, dial 800-253-4560, ext. 2055, or 805-220-2055.

- Operate Time, Max.** — 20 ms
Release Time, Max. — 15 ms
Shock, 11ms, 1/2 Sine (Peak) —
 20 g
Vibration —
 Peak — 10 g (55 to 500 Hz)
Operating Ambient Temperature Range — 0°C to +85°C
Mechanical Life — 500,000 cycles
Weight, Nominal —
 510.3 g (18 oz.)

Note:
 *Contact resistance for gas-filled relays measured at 28 Vdc, 1 Amp

Coil Data

Volts, Nominal	26.5 Vdc
Pickup, Max.	22 Vdc
Dropout	1-10 Vdc
Coil Resistance (±10%)	75 Ω

Ratings listed are for 25°C, sea level conditions

Ordering Information

