

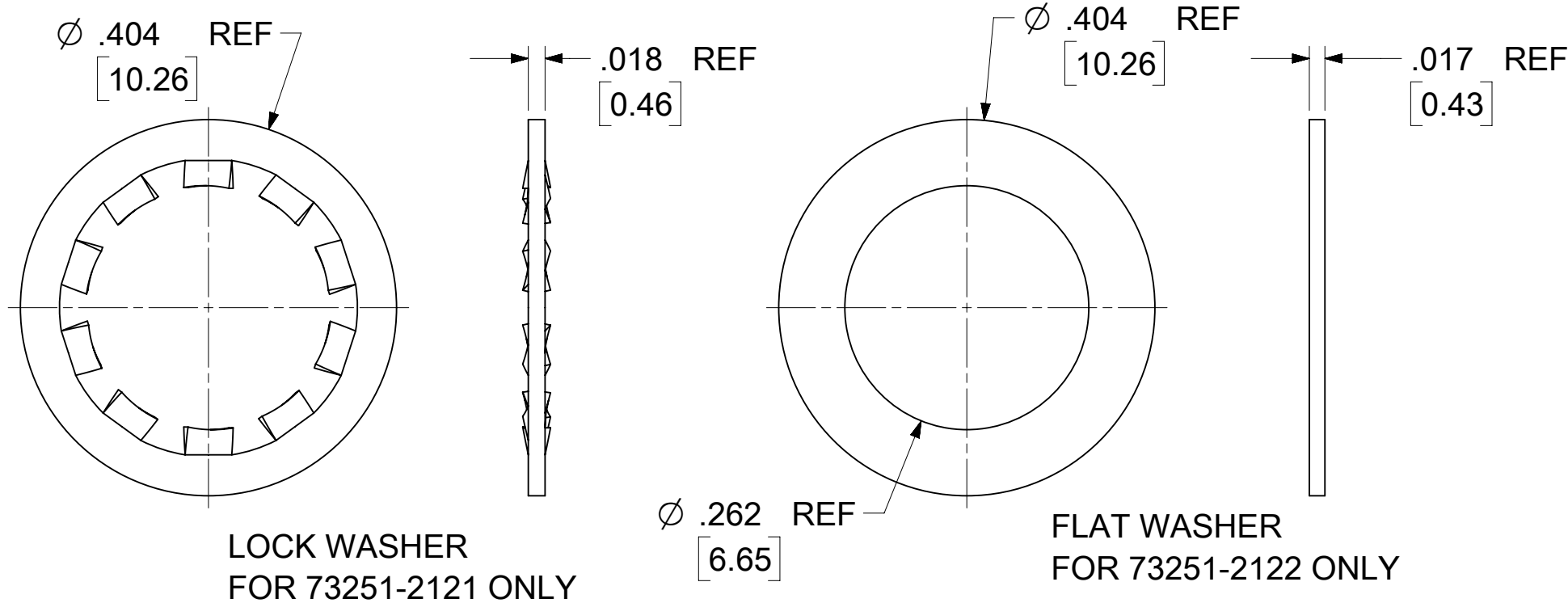
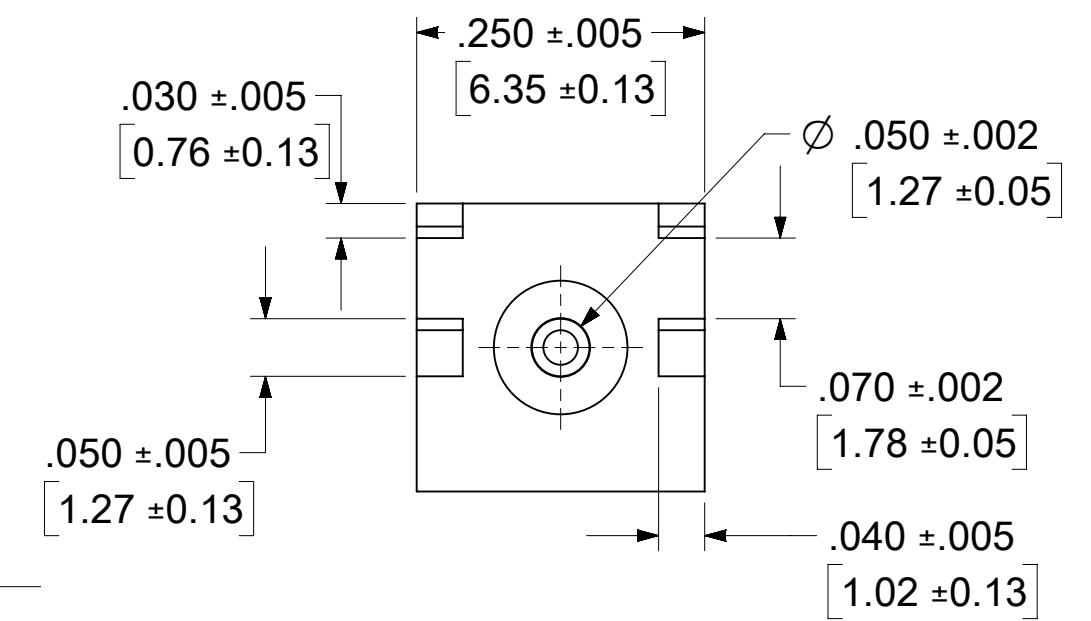
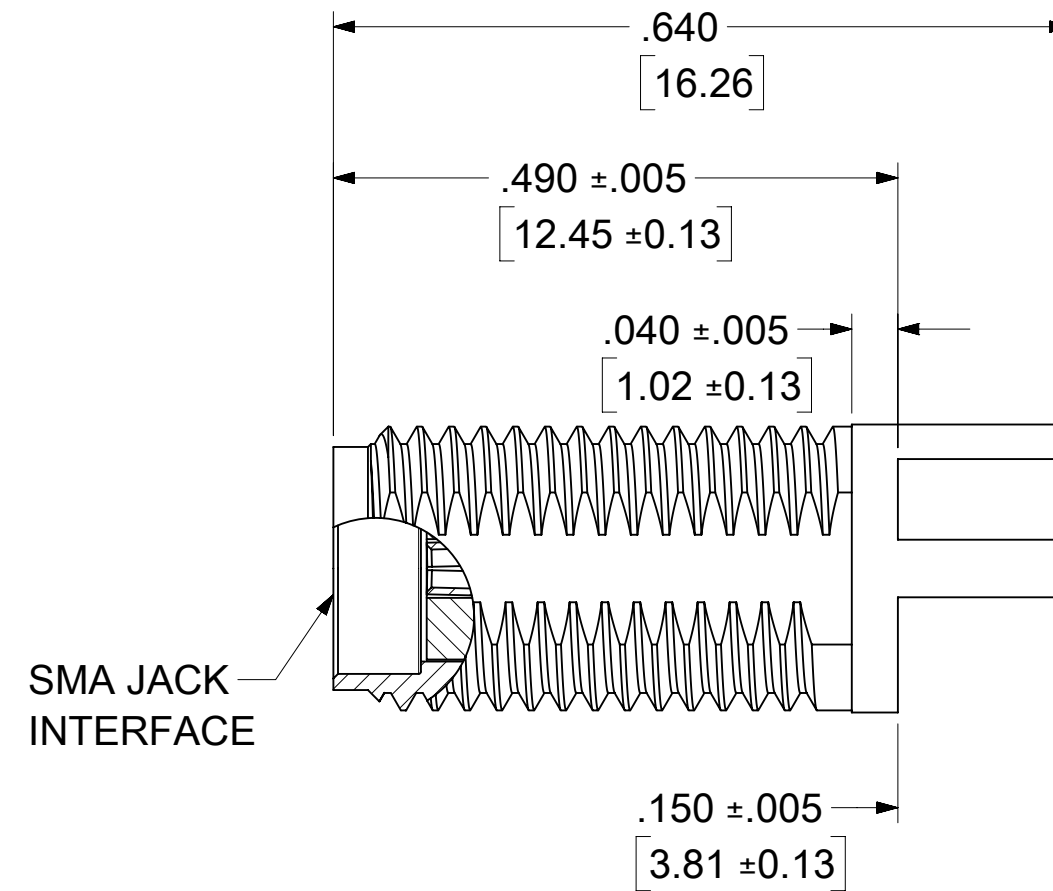
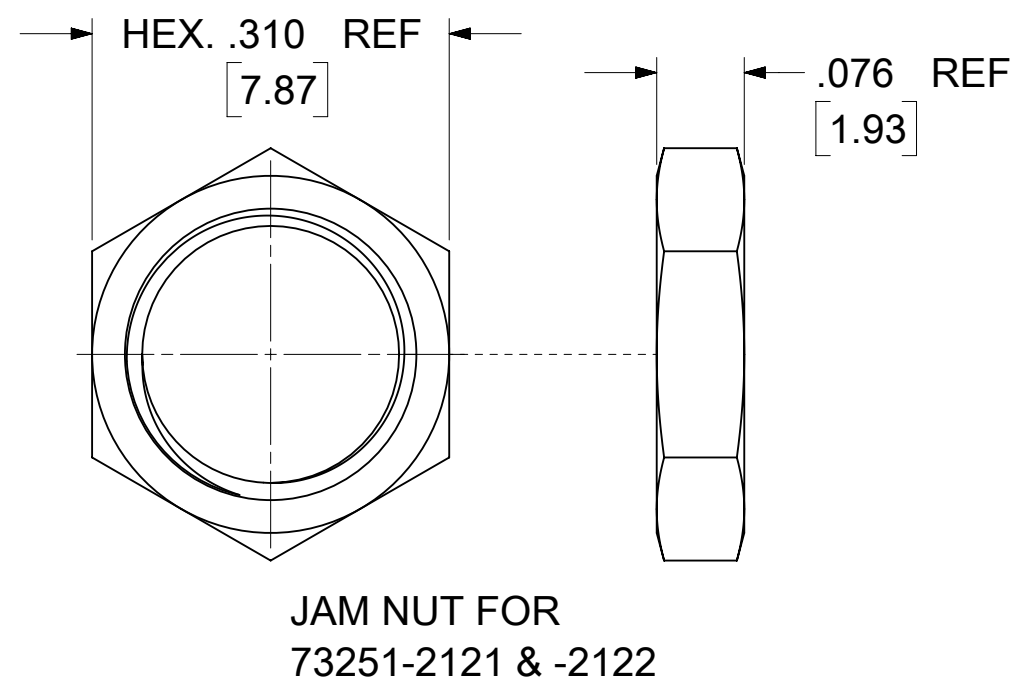
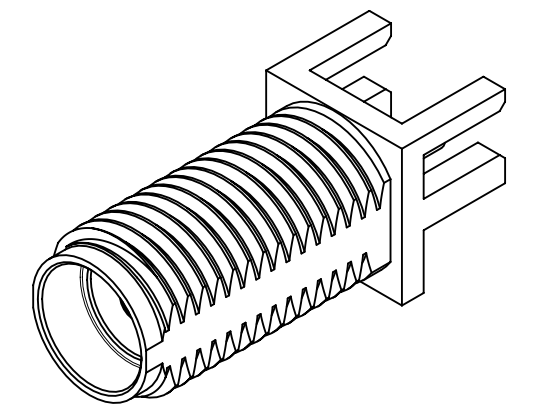
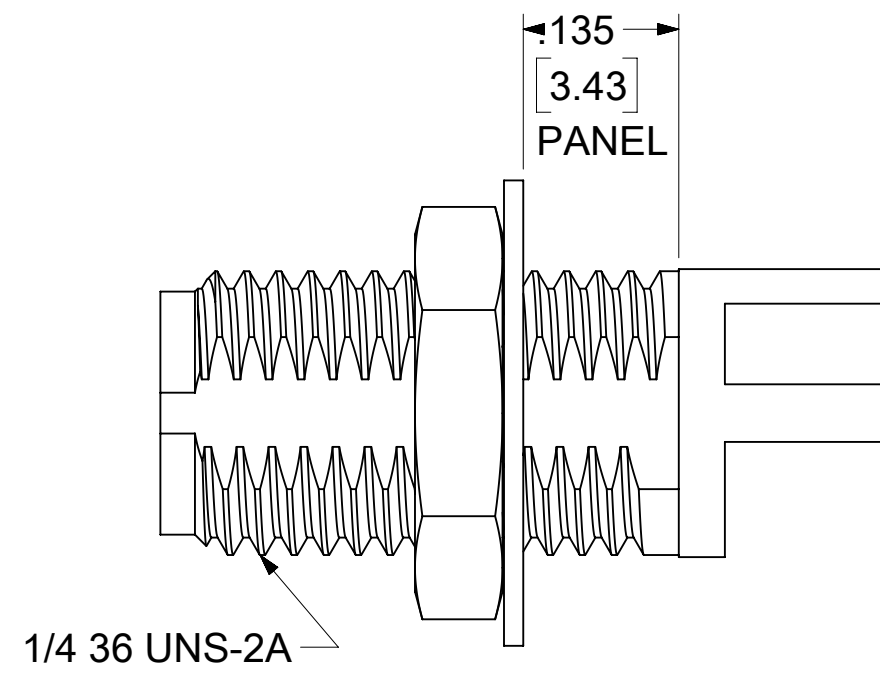
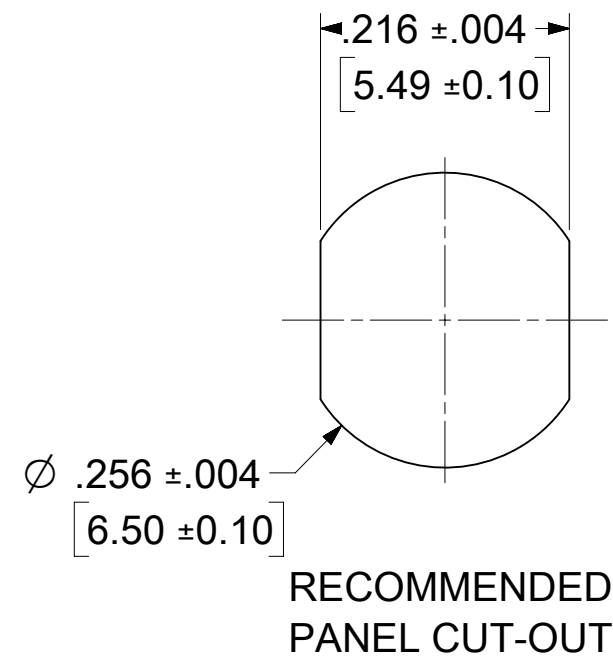
MATERIALS AND FINISHES:

BODY, JAM NUT, FLAT WASHER: BRASS  
PLATED GOLD

CENTER CONTACT: BERYLLIUM COPPER  
PLATED GOLD

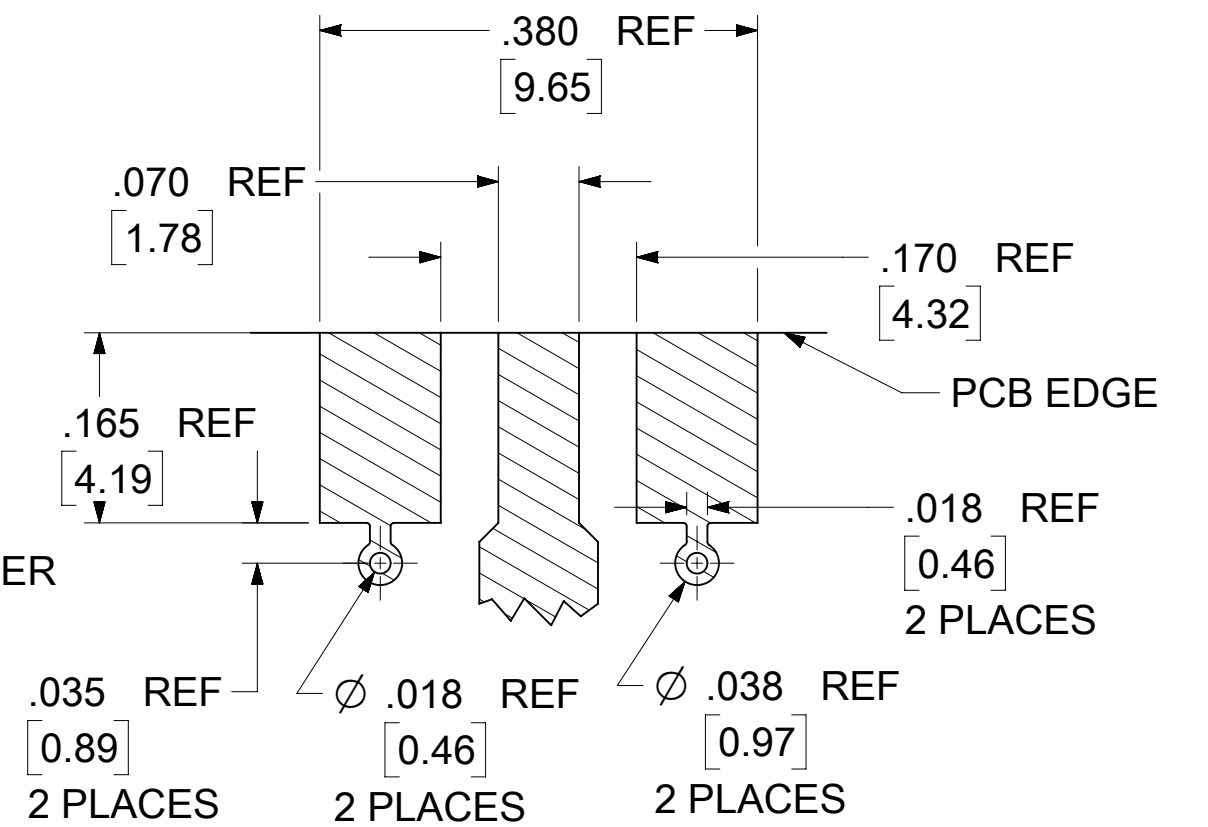
INSULATOR: TEFLON

LOCK WASHER: PHOSPHOR BRONZE  
PLATED GOLD



RECOMMENDED PAD LAYOUT

BASE WIDTH: .250(6.35) NOM.  
BOARD THICKNESS: .062(1.57) NOM.  
BOARD MATERIAL: FR4 W/1.0 OZ COPPER  
BOTH SIDES



73251-2123	-2120 WITHOUT HARDWARE	ONE PIECE PER BAG	895420090
73251-2122	-2120 W / JAM NUT & FLAT WASHER	TRAY	895420040
73251-2121	-2120 W / JAM NUT & LOCK WASHER	TRAY	895420040
73251-2120	-2120 WITHOUT HARDWARE	TRAY	895420040
PART NO.	DESCRIPTION	PACKAGING	PACKING SPEC

PS-89675-346	PRODUCT SPECIFICATION
MIL-STD-348A, FIG. 310.2	INTERFACE
SPECIFICATION	DESCRIPTION

FUNCTIONAL SYMBOLS	THIS DRAWING CONTAINS INFORMATION THAT IS PROPRIETARY TO MOLEX ELECTRONIC TECHNOLOGIES, LLC AND SHOULD NOT BE USED WITHOUT WRITTEN PERMISSION		
FA = 0	DIMENSION UNITS	SCALE	CURRENT REV DESC: ADD PKG NOTE PER EWR15788-A
EA = 0	IN/MM	NTS	
EP = 0	GENERAL TOLERANCES (UNLESS SPECIFIED)		
	ANGULAR TOL ± 2.0°		
DIVISIONAL SYMBOLS	4 PLACES ±	EC NO: 746940	2022/09/20
	3 PLACES ±	DRWN: CWEI02	2023/05/22
	2 PLACES ±	CHK'D: YCHENG	2023/05/22
	1 PLACE ±	APPR: YCHENG	
	0 PLACES ±	INITIAL REVISION:	
		DRWN: SSS	2003/07/09
		APPR: JWIENER	2010/10/27
DRAFT WHERE APPLICABLE MUST REMAIN WITHIN DIMENSIONS	THIRD ANGLE PROJECTION	DRAWING	SERIES
		C-SIZE	73251
		MATERIAL NUMBER	CUSTOMER
		SEE TABLE	GENERAL MARKET
		DOCUMENT NUMBER	DOC TYPE DOC PART REVISION
		SD-73251-212	PSD 001 A6
		SHEET NUMBER	1 OF 1