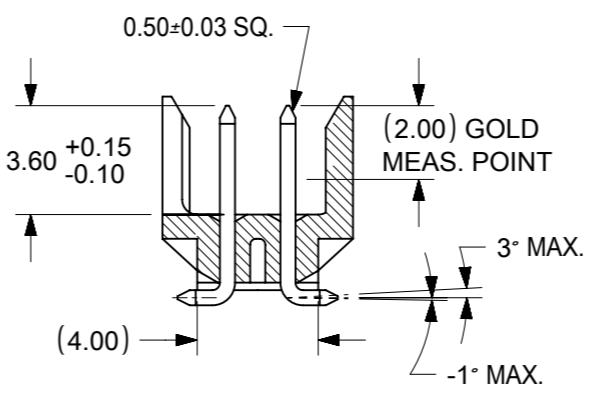
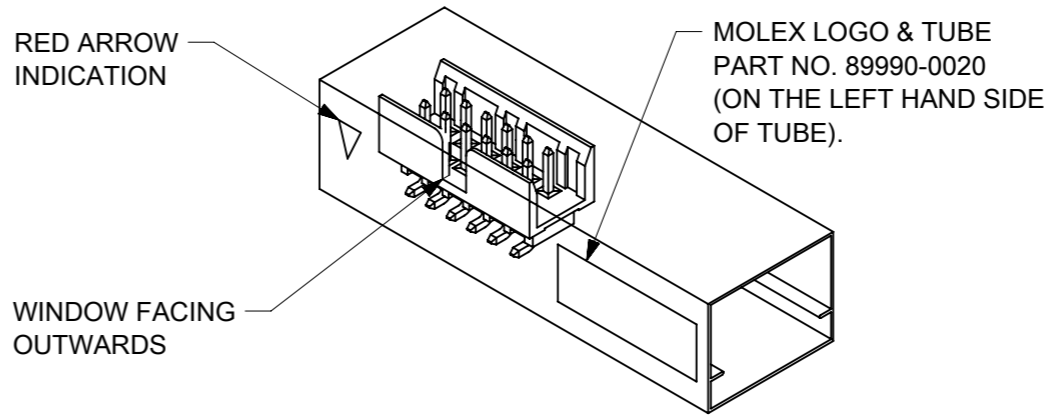


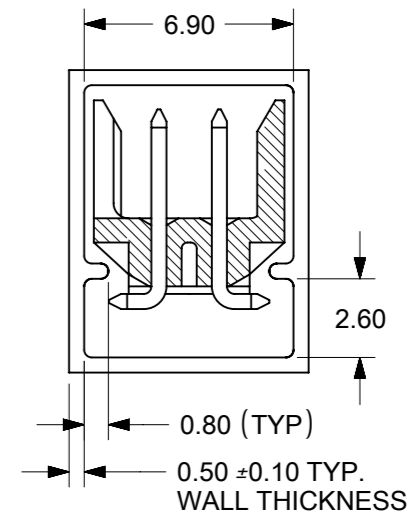
RECOMMENDED PCB PATTERN



SECTION Z-Z



ORIENTATION OF PART IN TUBE.
(FOR THE REFERENCE OF PART/TUBE ASSEMBLY.)



P/N WITHOUT CAP IN TUBE	CKT SIZE	DIMENSION			
		A	B	C	D
87832-103*	10	8.00	12.65	10.60	-
87832-143*	14	12.00	16.65	10.60	8.00
87832-203*	20	18.00	22.65	10.60	14.00
87832-263*	26	24.00	28.65	26.60	20.00
87832-303*	30	28.00	32.65	10.60	24.00
87832-343*	34	32.00	36.65	10.60	28.00
87832-403*	40	38.00	42.65	10.60	34.00
87832-443*	44	42.00	46.65	10.60	38.00
87832-503*	50	48.00	52.65	10.60	44.00

PART NUMBER LEGEND:

- 87832 - ***
CKT SIZE | PLATING OPTION
- 30 - 0.38µm / 15µin GOLD IN CONTACT AREA AND 1.88µm / 75µin MIN. TIN IN SOLDER TAIL AREA OVER 1.27µm / 50µin MIN. NICKEL OVERALL.
 - 31 - 0.76µm / 30µin GOLD IN CONTACT AREA AND 1.88µm / 75µin MIN. TIN IN SOLDER TAIL AREA OVER 1.27µm / 50µin MIN. NICKEL OVERALL.

NOTES:

- PIN PUSHOUT FORCE: 0.91kg MIN. IN EITHER DIRECTION.
- MATERIAL:
HOUSING: 30% G.F., NYLON 46, UL94V-0, COLOR BLACK
PIN: 0.50mm SQ. PHOSPHOR BRONZE
- NO SIDE LOCKING SLOT FROM 4 TO 12 CKT SIZE.
- PRODUCT SPECIFICATION PS-87831-027 APPLIES.
- △ RIBS LOCATION VARIES DEPENDING ON CKT SIZE.
- 26 CKT SHOWN FOR ILLUSTRATION ONLY.
- THIS HEADER MATES WITH MOLEX:
 - CRIMP RECEPTACLE HOUSING, 51110 SERIES WITH CRIMP TERMINAL, 50394 SERIES.
 - 2mm MILLIGRID DUAL ROW IDT, 87568 SERIES.
- PARTS SHALL BE PACKED IN MOISTURE BARRIER BAG WITH DESICCANT GEL.

THIS DRAWING CONTAINS INFORMATION THAT IS PROPRIETARY TO MOLEX ELECTRONIC TECHNOLOGIES, LLC AND SHOULD NOT BE USED WITHOUT WRITTEN PERMISSION

ADDED BTB DIST. EC NO: 619055 DRWN: HK02 CHK'D: NMANE02 REV APPR: MRAMAKRISHNA	2019/05/15	2019/07/09	2019/07/09	GENERAL TOLERANCES (UNLESS SPECIFIED)	DIMENSION UNITS	SCALE	<p>MGRID, SHROUDED HEADER W/SLOT, STANDOFF, SMT</p> <p>PRODUCT CUSTOMER DRAWING</p>	
				MM INCH	MM NTS			
	4 PLACES	±	±	DRWN BY	DATE	ATSEE		2004/09/30
	3 PLACES	±	±	CHK'D BY	DATE	KCLING		2004/11/03
2 PLACES	±	0.2	±	APPR BY	DATE	SKTOH	2004/11/05	
1 PLACES	±	±	±	ANGULAR TOL = 3.0	DRAWING SIZE	THIRD ANGLE PROJECTION	SERIES	
0 PLACES	±	±	±	DRAFT WHERE APPLICABLE MUST REMAIN WITHIN DIMENSIONS	A3		87832	
							MATERIAL NUMBER	
							SEE TABLE	
							CUSTOMER	
							GENERAL MARKET	
							DOCUMENT NUMBER	
							SD-87832-019	
							DOC TYPE	
							PSD	
							DOC PART	
							001	
							SHEET NUMBER	
							1 OF 2	

BOARD TO BOARD (BTB) DISTANCE

HEADER	MATES WITH (RECEPTACLE)	BTB DIST.	PICTORIAL VIEW
87832	79107	8.14	
	78787	8.14	
	79108	8.14	
	79109	8.35	
	78788	8.35	

THIS DRAWING CONTAINS INFORMATION THAT IS PROPRIETARY TO MOLEX ELECTRONIC TECHNOLOGIES, LLC AND SHOULD NOT BE USED WITHOUT WRITTEN PERMISSION											
DIMENSION UNITS		SCALE		CURRENT REV DESC: ADDED BTB DIST.						molex	
mm		1:1									
GENERAL TOLERANCES (UNLESS SPECIFIED)				EC NO: 619055							
				MM		INCH		MGRID, SHROUDED HEADER W/SLOT, STANDOFF, SMT			
4 PLACES ±				±		±		DRWN: HK02 2019/05/15			
3 PLACES ±				±		±		CHK'D: NMANE02 2019/07/09			
2 PLACES ±				0.2		±		APPR: MRAMAKRISHNA 2019/07/09			
1 PLACE ±				±		±		INITIAL REVISION:			
0 PLACES ±				±		±		DRWN: DRWN BY		XXXX/XX/XX	
ANGULAR TOL				± 3.0°		± 3.0°		APPR: APPR BY		XXXX/XX/XX	
DRAFT WHERE APPLICABLE MUST REMAIN WITHIN DIMENSIONS				THIRD ANGLE PROJECTION		DRAWING		SERIES		MATERIAL NUMBER	
						A3-SIZE		87832		CUSTOMER	
								GENERAL MARKET		SHEET NUMBER	
										2 OF 2	