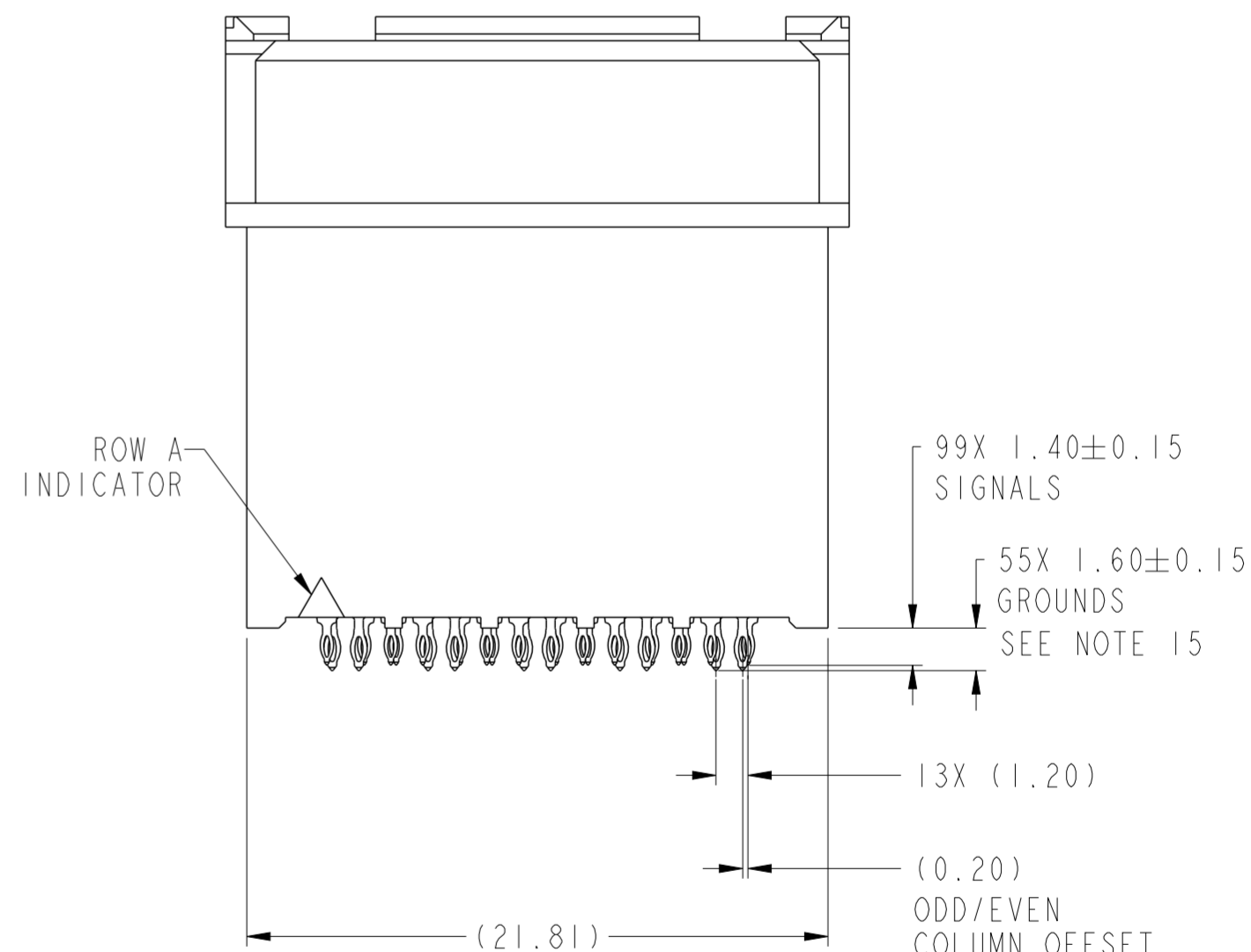
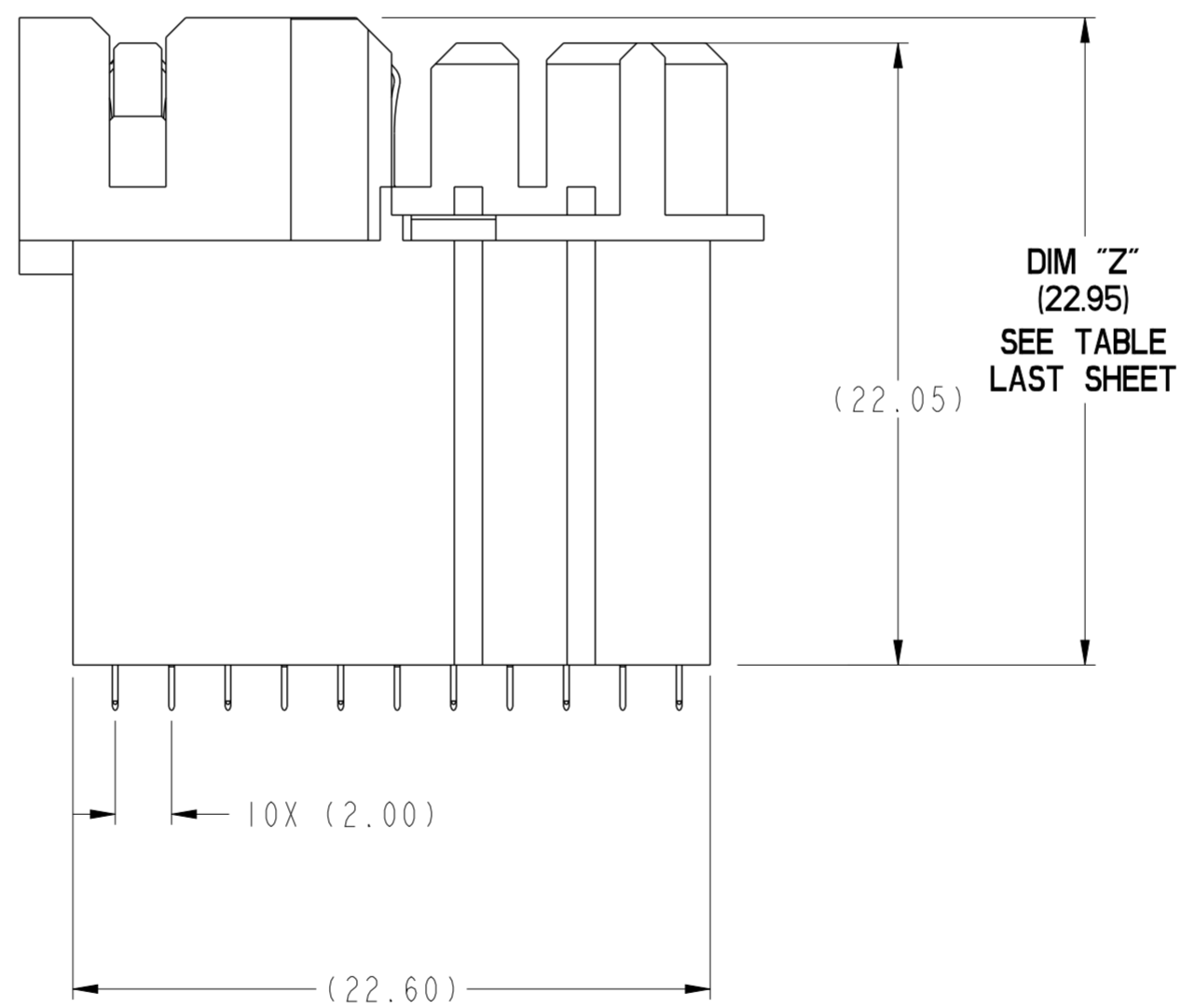
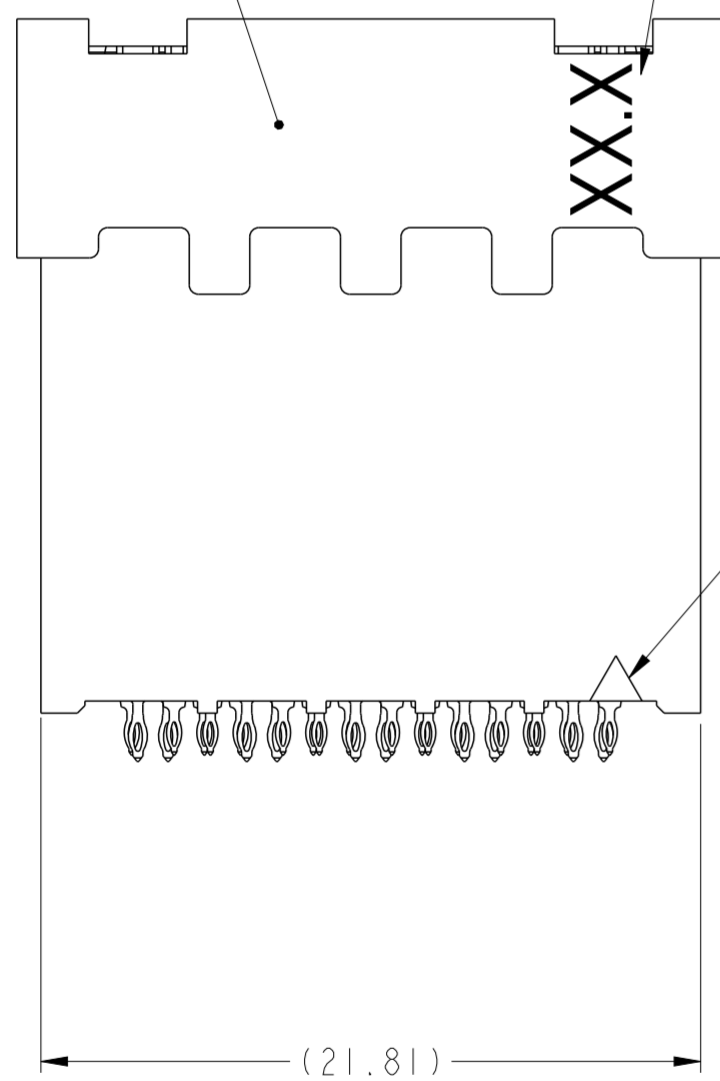


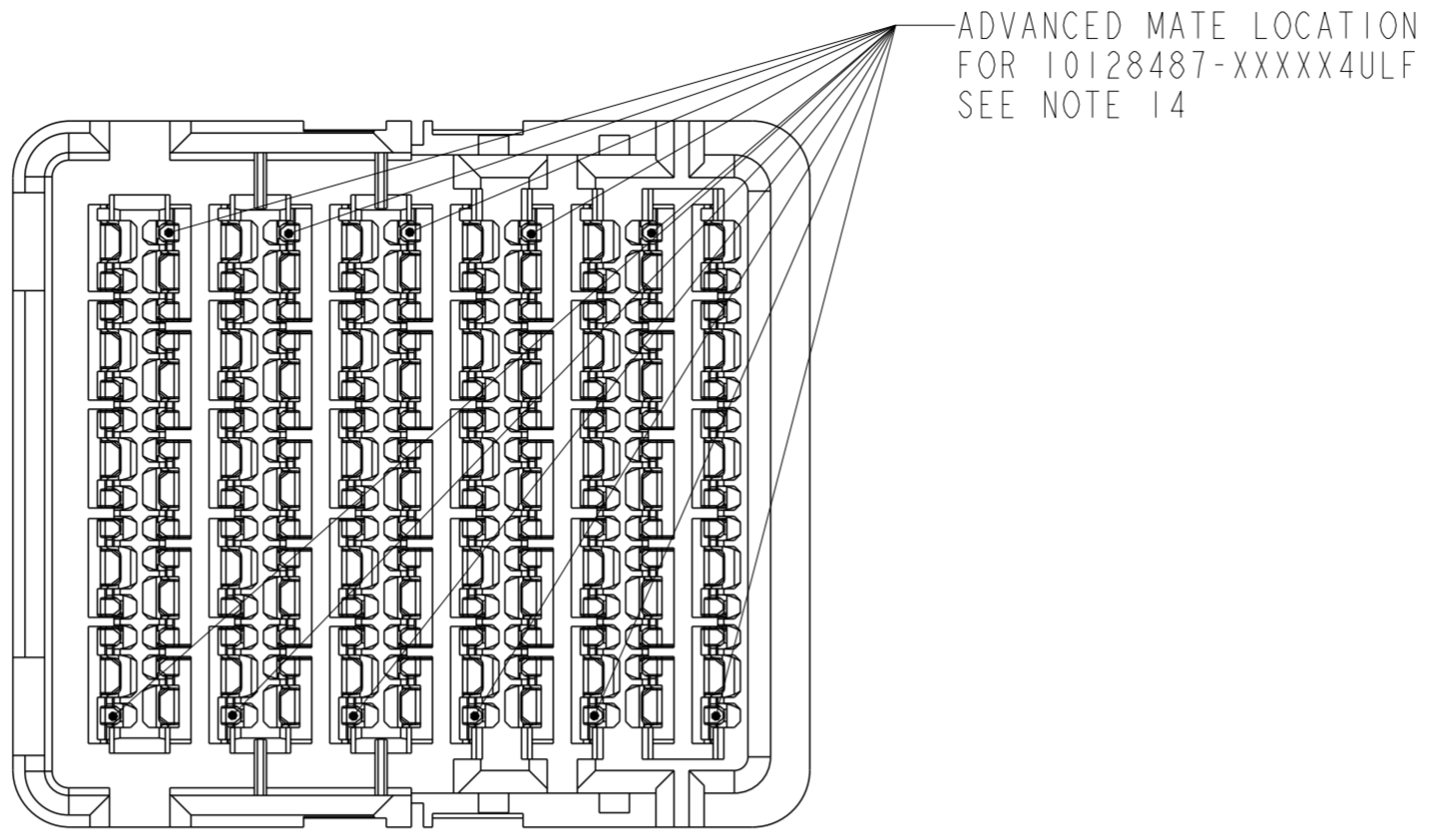
SEE NOTE 5
 SEE NOTE 11



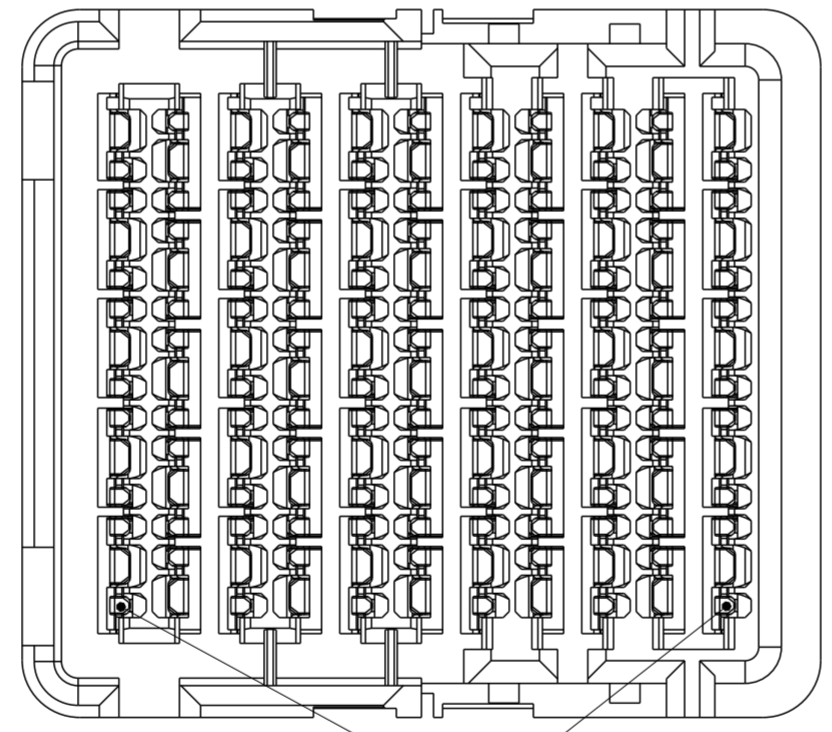
Amphenol
FCi

© 2016 AFci

spec ref	SEE NOTES	dr	Will Liu	2014/09/16	projection	mm	size	A2	scale	4:1													
tolerance std	TOLERANCES UNLESS OTHERWISE SPECIFIED	eng	David Guo	2018/01/30		mm	A2	4:1	ecn no	-													
ASME Y14.5M		chr	-	rel level							Released												
		appr	Heaven Cen	2018/01/30																			
surface	<table border="1"> <tr> <td>linear</td> <td>0.X</td> <td>±0.3</td> </tr> <tr> <td></td> <td>0.XX</td> <td>±0.10</td> </tr> <tr> <td></td> <td>0.XXX</td> <td>±0.05</td> </tr> <tr> <td>angular</td> <td>0°</td> <td>±2°</td> </tr> </table>	linear	0.X	±0.3		0.XX	±0.10		0.XXX	±0.05	angular	0°	±2°	Amphenol FCI		product family ExaMEZZ		title ExaMEZZ CONNECTOR ASSEMBLY HERMAPHRODITIC, 4 PAIR, 11 IMLA		dwg no 10128487		rev A	
linear	0.X	±0.3																					
	0.XX	±0.10																					
	0.XXX	±0.05																					
angular	0°	±2°																					
		cat. no.		Product - Customer Drw				sheet 1 of 4															



ADVANCED MATE LAYOUT
FOR 10128487-XXXXX4ULF

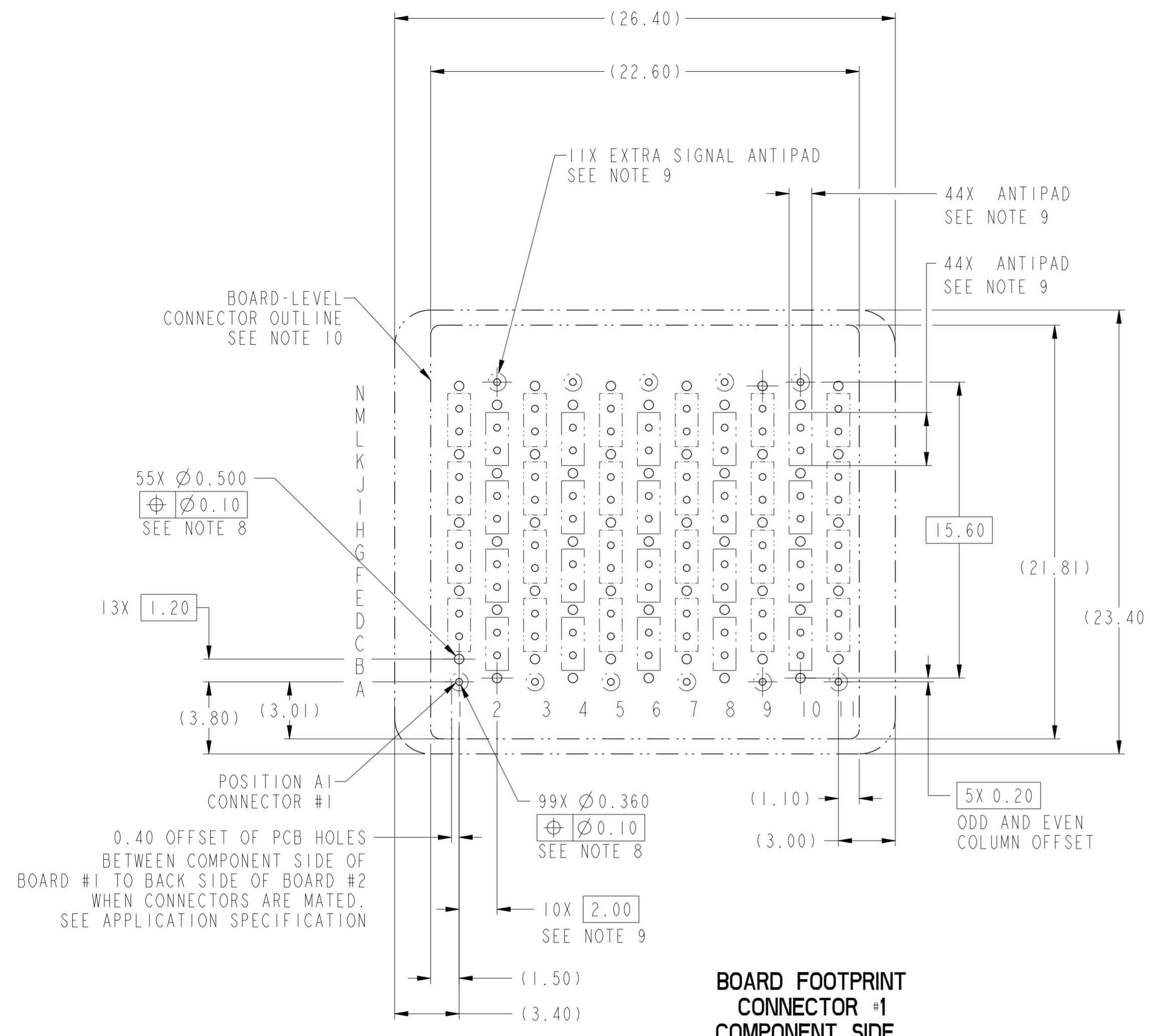


STANDARD SHORT DETECT LAYOUT
FOR 10128487-XXXXX1ULF

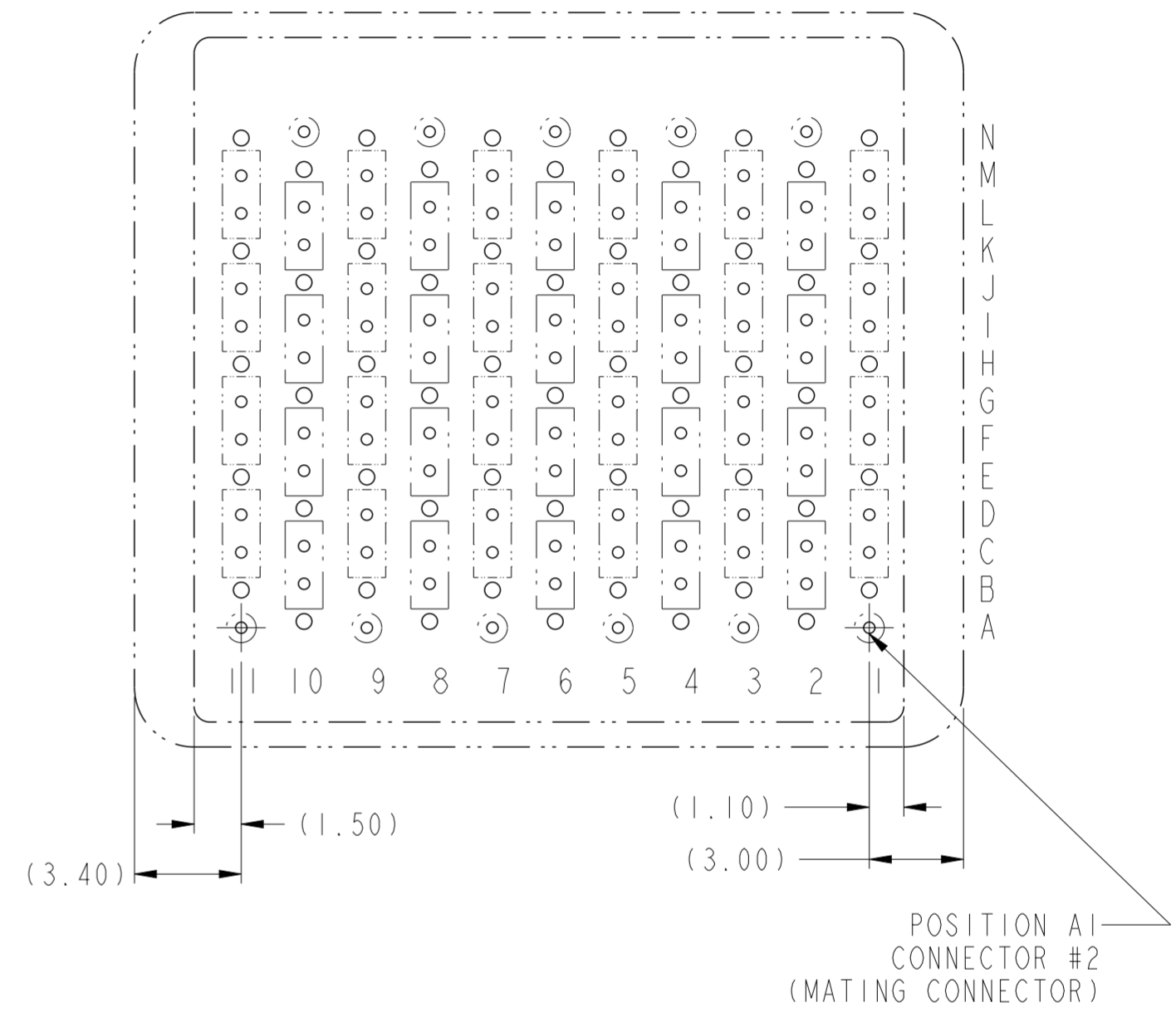
Amphenol
FCi

© 2016 AFCI

spec ref	SEE NOTES	dr	Will Liu	2014/09/16	projection	mm	size	A2	scale	4:1											
tolerance std	TOLERANCES UNLESS OTHERWISE SPECIFIED	eng	David Guo	2018/01/30			ecn no	-													
ISO 406		chr	-	rel level			Released														
ISO 1101		appr	Heaven Cen	2018/01/30			product family	ExaMEZZ													
surface	<table border="1"> <tr> <td>linear</td> <td>0.X</td> <td>±0.3</td> </tr> <tr> <td></td> <td>0.XX</td> <td>±0.10</td> </tr> <tr> <td></td> <td>0.XXX</td> <td>±0.05</td> </tr> <tr> <td>angular</td> <td>0°</td> <td>±2°</td> </tr> </table>	linear	0.X	±0.3		0.XX	±0.10		0.XXX	±0.05	angular	0°	±2°			title ExaMEZZ CONNECTOR ASSEMBLY HERMAPHRODITIC, 4 PAIR, 11 IMLA		dwg no 10128487	rev A		
linear	0.X	±0.3																			
	0.XX	±0.10																			
	0.XXX	±0.05																			
angular	0°	±2°																			
		cat. no.			Product - Customer Drw		sheet 2 of 4														



**BOARD FOOTPRINT
CONNECTOR #1
COMPONENT SIDE**



**BOARD FOOTPRINT
CONNECTOR #2 (MATING CONNECTOR)
(SAME FOOTPRINT DIFFERENT A1 LOCATION)
COMPONENT SIDE**

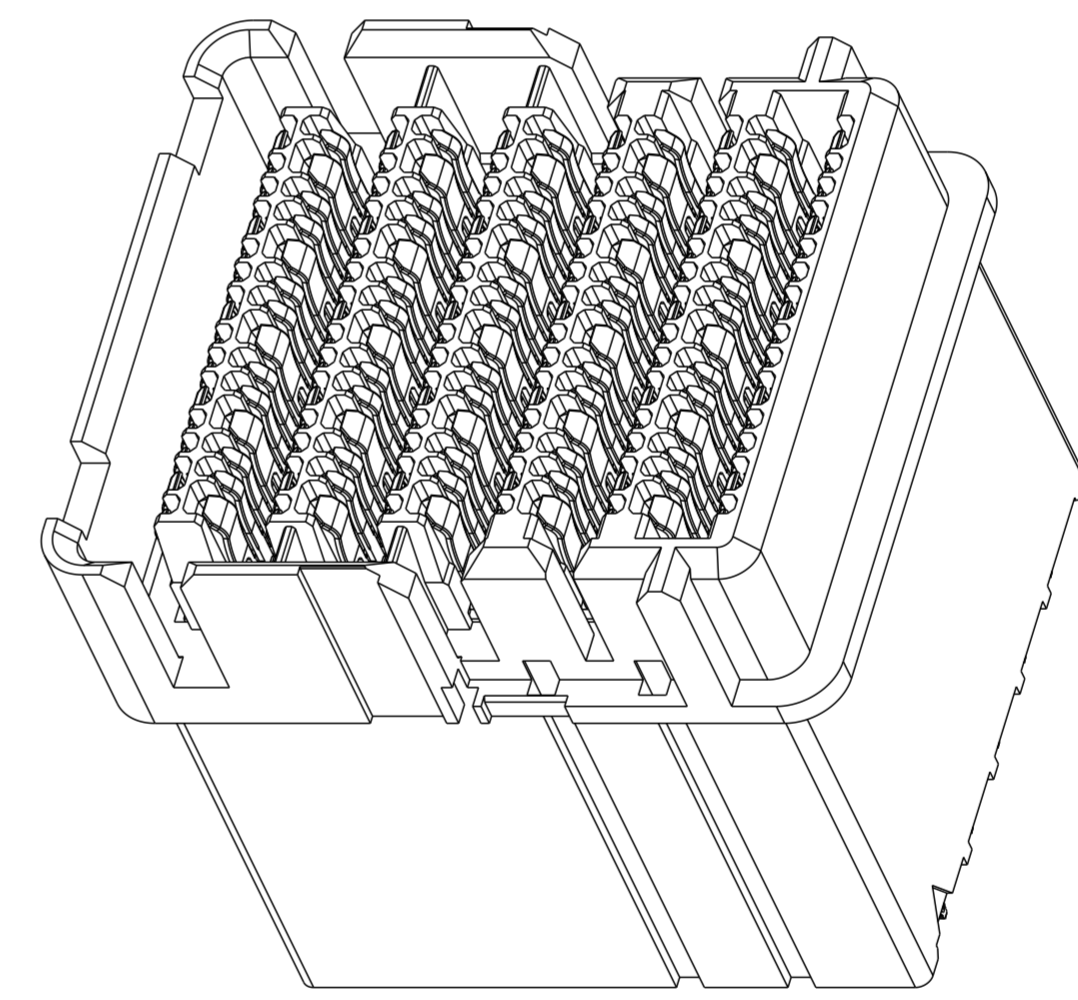
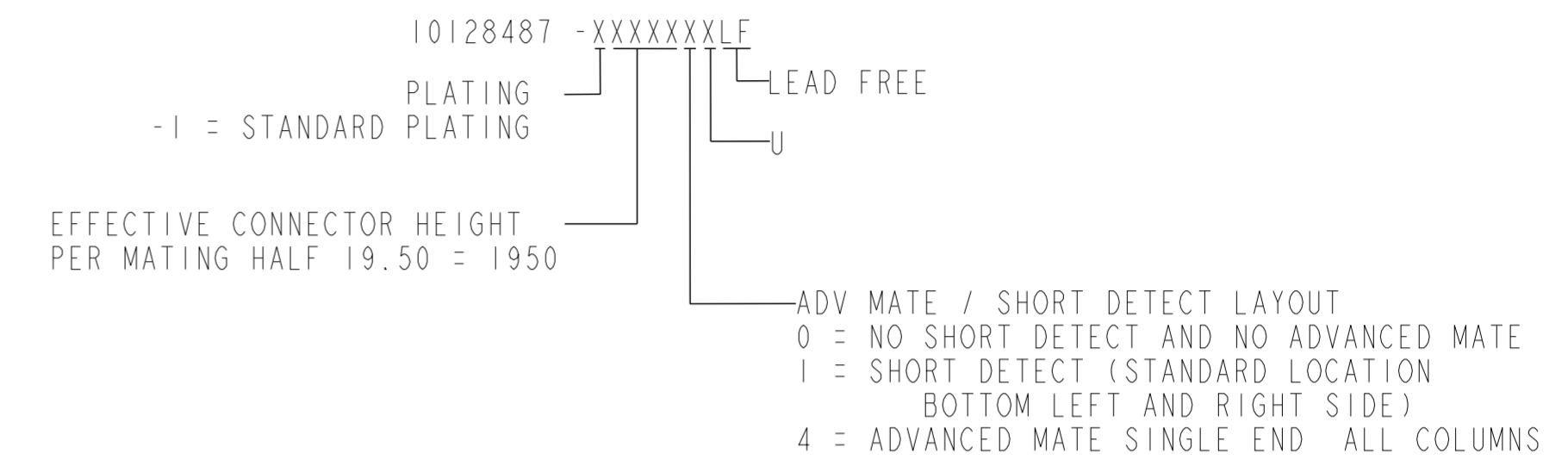
**10128487-119500ULF
RECOMMENDED PCB LAYOUT
SCALE 5:1**

spec ref	SEE NOTES	dr	Will Liu	2014/09/16	projection	mm	size	A2	scale	4:1												
tolerance std	TOLERANCES UNLESS OTHERWISE SPECIFIED	eng	David Guo	2018/01/30		mm	ecn no	-	rel level	Released												
ASME Y14.5M		chr	-	apppr							Heaven Cen	2018/01/30	product family	ExaMEZZ								
surface	<table border="1"> <tr> <td>linear</td> <td>0.X</td> <td>±0.3</td> </tr> <tr> <td></td> <td>0.XX</td> <td>±0.10</td> </tr> <tr> <td></td> <td>0.XXX</td> <td>±0.05</td> </tr> <tr> <td>angular</td> <td>0°</td> <td>±2°</td> </tr> </table>	linear	0.X	±0.3		0.XX	±0.10		0.XXX	±0.05	angular	0°	±2°	Amphenol FCI		ExaMEZZ CONNECTOR ASSEMBLY HERMAPHRODITIC, 4 PAIR, 11 IMLA		drwg no 10128487	rev A	cat. no.	Product - Customer Drw	sheet 3 of 4
linear	0.X	±0.3																				
	0.XX	±0.10																				
	0.XXX	±0.05																				
angular	0°	±2°																				

PRODUCT NUMBER	STACK HEIGHT EACH SIDE	DIM "Z"	ADVANCED MATE	SHORT DETECTS
10128487-119500ULF	19.5 mm	22.95	NO	NO
10128487-119501ULF	19.5 mm	22.95	NO	YES
10128487-119504ULF	19.5 mm	22.95	YES-ALL COLUMNS	NO
10128487-107500ULF	7.5 mm	10.95	NO	NO

- 1 - CONNECTOR MATERIALS:
HOUSING: HIGH TEMP THERMOPLASTIC, NATURAL, UL94-V0
IMLA PLASTIC: HIGH TEMP THERMOPLASTIC, BLACK, UL94-V0
CONTACT: COPPER ALLOY
- 2 - CONTACT PLATING:
SEPARABLE INTERFACE:
PERFORMANCE-BASED PLATING, QUALIFIED TO MEET THE REQUIREMENTS OF FCI PRODUCT SPECIFICATION GS-12-1150 INCLUDING TELCORDIA GR-1217-CORE (NOVEMBER 1995) CENTRAL OFFICE TEST SEQUENCE.

PRESS-FIT TAILS: TIN OVER NICKEL
- 3 - PRODUCT SPECIFICATION: GS-12-1150
- 4 - APPLICATION SPECIFICATION: GS-20-0373
- 5 - PRODUCT MARKING (PART NUMBER & LOT CODE) ON THIS SURFACE.
- 6 - LEAD FREE PRODUCT MEETS THE EUROPEAN UNION DIRECTIVES & OTHER COUNTRY REGULATIONS AS DESCRIBED IN GS-47-0004.
- 7 - PACKAGING MEETS GS-14-920 LEAD FREE LABELING SPECIFICATION.
- 8 - REFER TO CUSTOMER DRAWING 10119933 FOR INFORMATION ON PCB HOLE DIAMETERS AND PLATING OPTIONS
- 9 - REFER TO ROUTING GUIDE GS-20-0511 FOR RECOMMENDATIONS ON OPTIMIZATION OF FOOTPRINT AND TRACE ROUTING LAYOUT.
- 10 - CONNECTOR OUTLINE MAY BE SCREEN PRINTED ONTO CUSTOMER PCB TO BE USED AS A GUIDE FOR MANUAL CONNECTOR PLACEMENT.
- 11 - PRODUCT STACK HEIGHT (EG. 19.5) LASER MARKED ON THIS SURFACE.
- 12. THE HOUSING WILL WITHSTAND EXPOSURE TO 260 °C PEAK TEMPERATURE FOR 10-30 SECONDS IN A CONVECTION, INFRA-RED, OR VAPOR PHASE REFLOW OVEN.
- 13 - THE SHORT DETECT CONNECTOR (WHEN MATED WITH A NON-SHORT DETECT CONNECTOR) WILL PROVIDE CONTACTS THAT MATE 1.00mm AFTER THE REMAINDER OF STANDARD LENGTH SIGNAL AND GROUND CONTACTS MATE. NEVER MATE A SHORT DETECT CONNECTOR WITH ANOTHER SHORT DETECT CONNECTOR.
- 14 - THE ADVANCED MATE CONNECTOR WHEN MATED WITH AN ADVANCED MATE CONNECTOR, WILL PROVIDE CONTACTS THAT MATE 0.75MM BEFORE THE REMAINDER OF THE SIGNAL AND GROUND CONTACTS MATE
- 15 - ALL GROUND CONTACTS WITHIN A COLUMN ARE COMMONED.



Amphenol FCI

© 2016 AFCI

spec ref	SEE NOTES	dr	Will Liu	2014/09/16	projection	mm	size	A2	scale	4:1																							
tolerance std	TOLERANCES UNLESS OTHERWISE SPECIFIED	eng	David Guo	2018/01/30			ecn no	-	Released	rel level																							
ASME Y14.5M		chr	-	2018/01/30			product family	ExaMEZZ																									
surface	<table border="1"> <tr> <td>linear</td> <td>0.X</td> <td>±0.3</td> </tr> <tr> <td></td> <td>0.XX</td> <td>±0.10</td> </tr> <tr> <td></td> <td>0.XXX</td> <td>±0.05</td> </tr> <tr> <td>angular</td> <td>0°</td> <td>±2°</td> </tr> </table>	linear	0.X	±0.3		0.XX	±0.10		0.XXX	±0.05	angular	0°	±2°	appr	Heaven Cen	2018/01/30	product family	ExaMEZZ	rel level	Released	<table border="1"> <tr> <td>title</td> <td>ExaMEZZ CONNECTOR ASSEMBLY</td> <td>dwg no</td> <td>10128487</td> <td>rev</td> <td>A</td> </tr> <tr> <td>HERMAPHRODITIC, 4 PAIR, 11 IMLA</td> <td></td> <td></td> <td></td> <td></td> <td></td> </tr> </table>	title	ExaMEZZ CONNECTOR ASSEMBLY	dwg no	10128487	rev	A	HERMAPHRODITIC, 4 PAIR, 11 IMLA					
linear	0.X	±0.3																															
	0.XX	±0.10																															
	0.XXX	±0.05																															
angular	0°	±2°																															
title	ExaMEZZ CONNECTOR ASSEMBLY	dwg no	10128487	rev	A																												
HERMAPHRODITIC, 4 PAIR, 11 IMLA																																	
cat. no.	-	Product - Customer Drw	sheet 4 of 4																														

PDS: Rev :A

STATUS:Released

Printed: Jan 30, 2018