



ANATECH ELECTRONICS INC
RF & Microwave Filters & Products

GSM Band / 925-960 MHz LC Band Notch / Band Stop Filter for Outdoor

Part Number: AE942N2242-NMNF-O



Electrical Specifications

Notch Center Frequency: 942 MHz
Notch Frequency range: 925.2-960 MHz
Notch Rejection: ≥ 40 dB
Passband low side of Notch: 80-850 MHz
Passband High side of Notch: 1040-3800 MHz
Insertion loss in Passband: ≤ 2 dB
Passband Edge Insertion loss1: ≤ 3 dB @875 MHz
Passband Edge Insertion loss2: ≤ 3 dB @1000 MHz
Impedance: 50 Ohms
Power Handling: ≤ 2 Watts

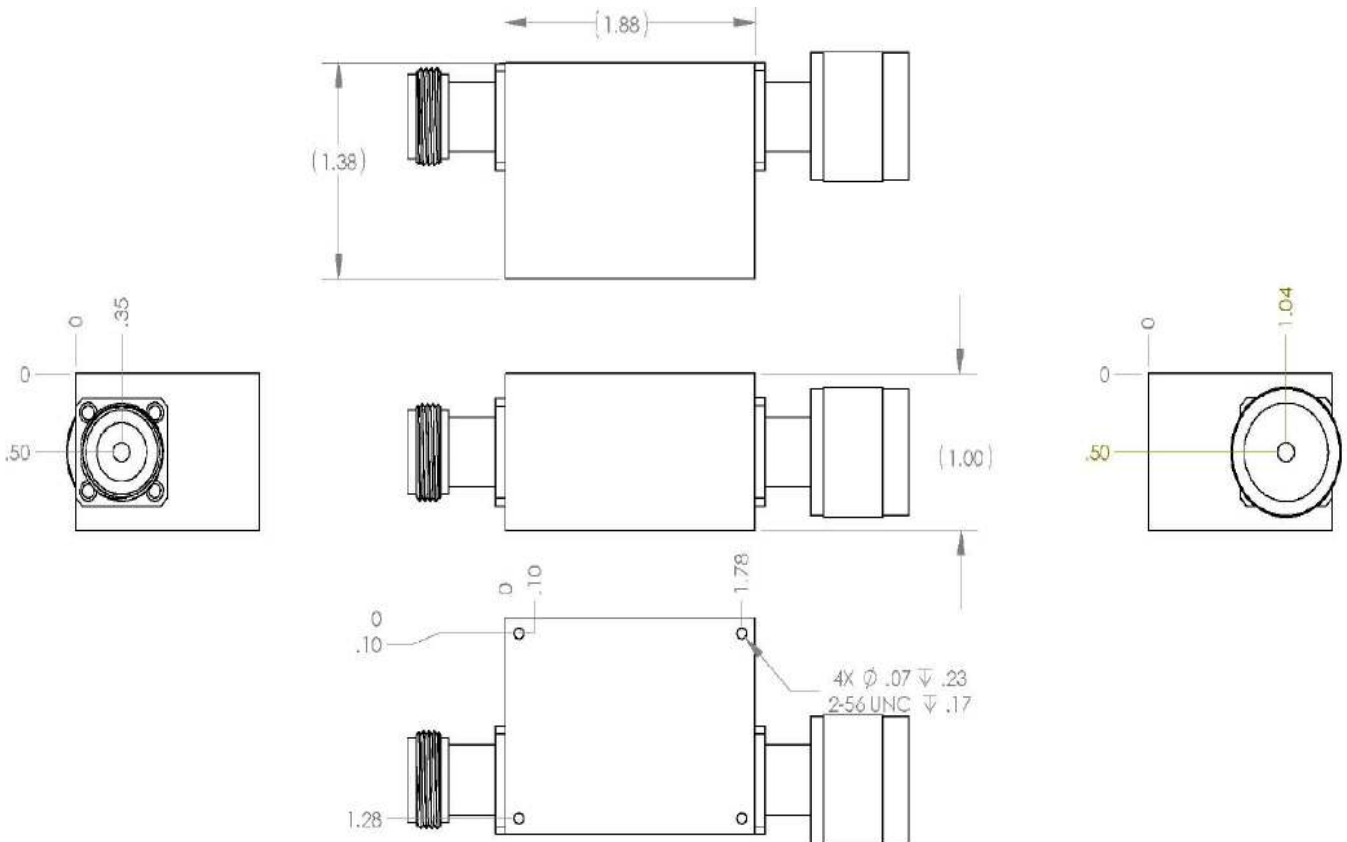
Mechanical

Connector Type: N-type (M) & N-type(F)
Dimensions: 1.88 X 1.38 X 1.00 in.

Environmental

Operating Temperature: -20°C to $+70^{\circ}\text{C}$
Storage Temperature: -40°C to $+85^{\circ}\text{C}$
Shock: 10 G. 11ms
Vibration: 10 G. 5 to 200Hz
Weatherproof Rating: IP67

Outline Drawing:



Tolerance: ± 0.01 inches [± 0.3 mm]

Angles: ± 1 Deg.

*Tolerance as shown unless otherwise specified in the datasheet electrical specification tables above.

*When max dimensions are called out the above tolerances do not apply as long as it is under the max call out.

70 Outwater Lane Phone: (973) 772-4242
Garfield, NJ 07026 Fax : (973) 321-3941

Email: sales@anatechelectronics.com
Web: www.anatechelectronics.com