

MODEL: CMM-3526AT-38165-TR | **DESCRIPTION:** MEMS MICROPHONE

FEATURES

- analog
- top port
- reflow solder compatible
- omnidirectional


ELECTRICAL

| parameter | conditions/description | min | typ | max | units |
|--|---|-----|------|--------|--------|
| directivity | omnidirectional | | | | |
| sensitivity [S] | at 1 V/Pa, 1 kHz | -39 | -38 | -37 | dB |
| supply voltage [V _{DD}] | | 1.5 | 1.8 | 3.6 | V |
| current consumption [I _{loss}] | | | 150 | 170 | μA |
| sensitivity reduction | no change across the voltage range | | | | dB |
| frequency [f] | | 100 | | 10,000 | Hz |
| signal to noise ratio [S/N] | 20 kHz bandwidth, A-weighted | | 65 | | dB |
| total harmonic distortion [THD] | at 94 dB SPL, 1 kHz, R _{load} > 2 k | | 0.1 | | % |
| acoustic overload point [AOP] | at 10% THD, 1 kHz, R _{load} > 2 k | | 123 | | dB SPL |
| output impedance [Z _{out}] | at 1 kHz | | 200 | | Ω |
| dc output | | | 0.7 | | V |
| PSRR | 200 mVp-p sine wave @ 1 kHz, V _{DD} = 1.8 V | | 70 | | dB |
| PSR | 100 mVp-p square wave @ 217 Hz, V _{DD} = 1.8 V | | -100 | | dBV[A] |

Notes: 1. All specifications measured at 25°C, humidity at 45±5%, unless otherwise noted.

ENVIRONMENTAL

| parameter | conditions/description | min | typ | max | units |
|-----------------------|------------------------|-----|-----|-----|-------|
| operating temperature | | -30 | | 85 | °C |
| storage temperature | in packaging | -40 | | 100 | °C |
| RoHS | yes | | | | |

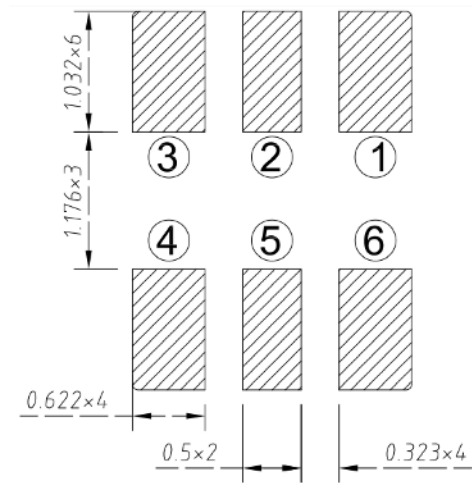
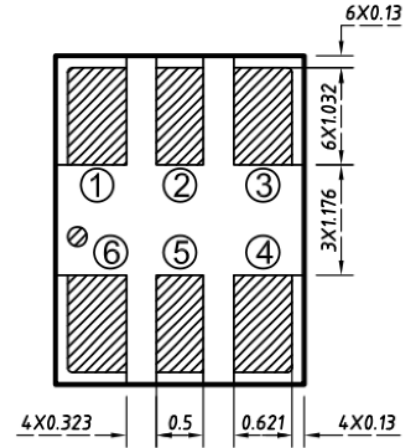
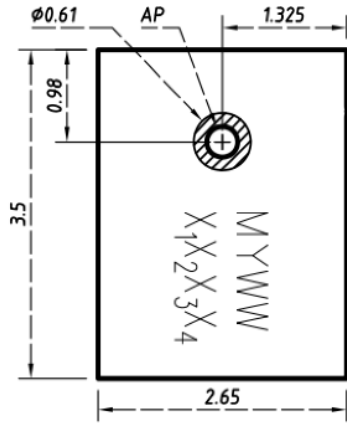
MECHANICAL

| parameter | conditions/description | min | typ | max | units |
|---------------|------------------------|-----|-------|-----|-------|
| dimensions | 3.5 x 2.65 x 1.0 | | | | mm |
| acoustic port | top | | | | |
| terminals | surface mount | | | | |
| weight | | | 0.025 | | g |

MECHANICAL DRAWING

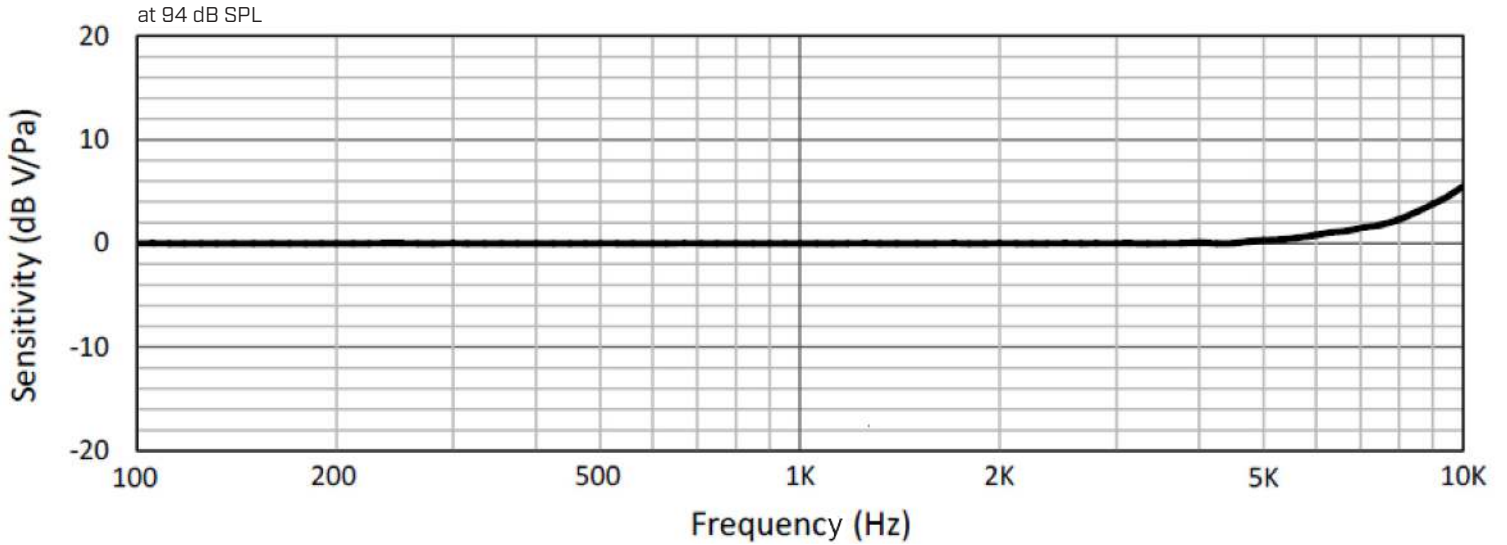
units: mm
 tolerance:
 length, width, height: ± 0.10 mm
 acoustic port: ± 0.05 mm
 unless otherwise specified: ± 0.15 mm

| TERMINAL CONNECTIONS | |
|----------------------|-----------------|
| TERM. | FUNCTION |
| 1 | GND |
| 2 | GND |
| 3 | GND |
| 4 | output |
| 5 | GND |
| 6 | V _{DD} |

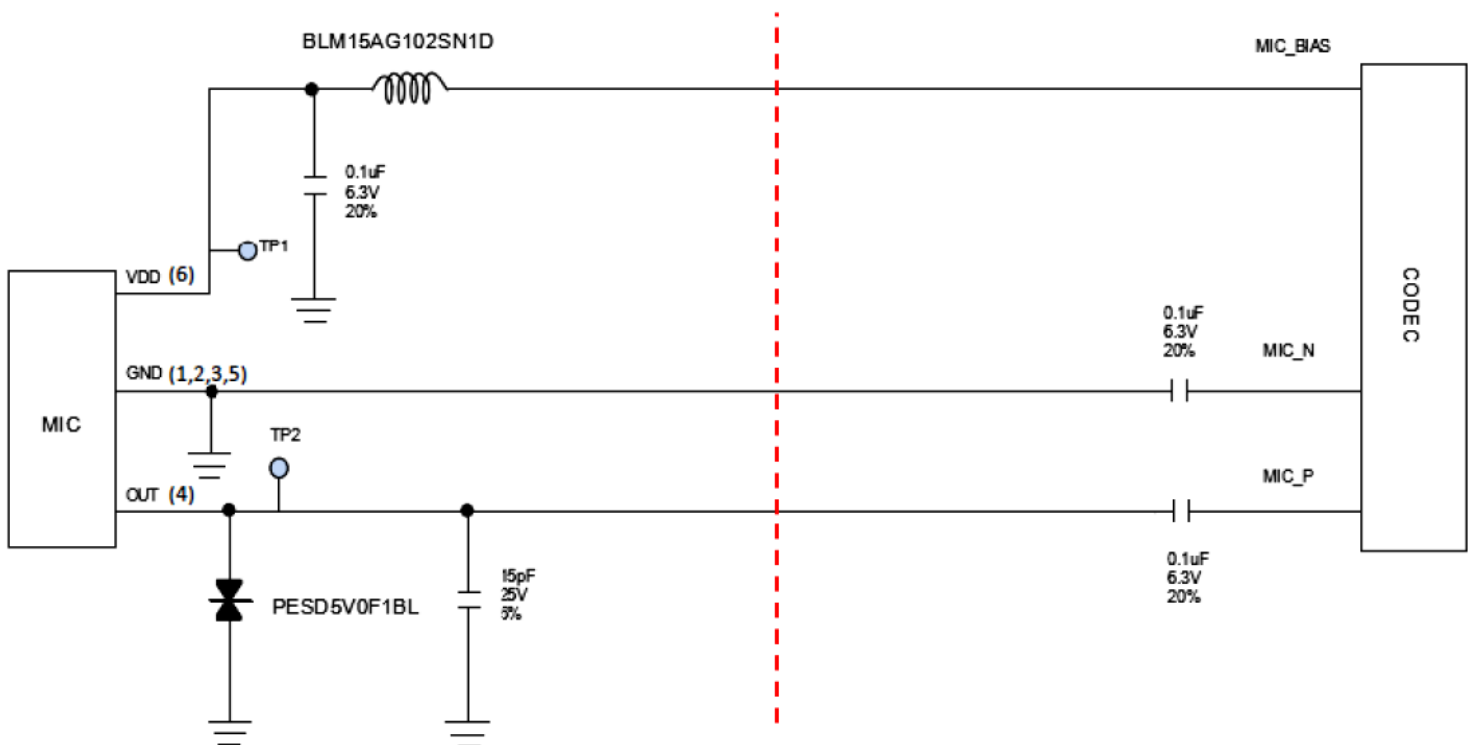


Recommended PCB Layout
 Top View

FREQUENCY RESPONSE CURVE



INTERFACE CIRCUIT

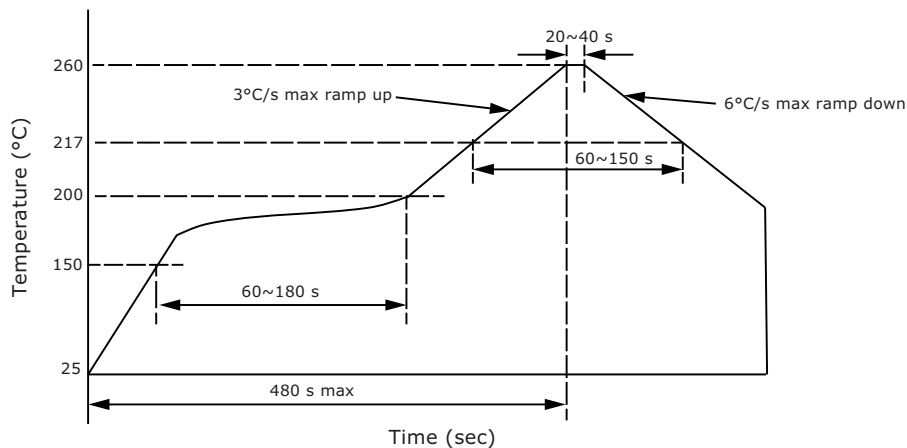


Note: 2. It is recommended that the components on the left side of red line be placed close to MIC, and components on the right side of red line be placed close to CODEC.

SOLDERABILITY

| parameter | conditions/description | min | typ | max | units |
|-------------------------------|------------------------|-----|-----|-----|-------|
| reflow soldering ³ | see reflow profile | | | 260 | °C |

Note: 3. Not recommended to exceed 3 reflow cycles.

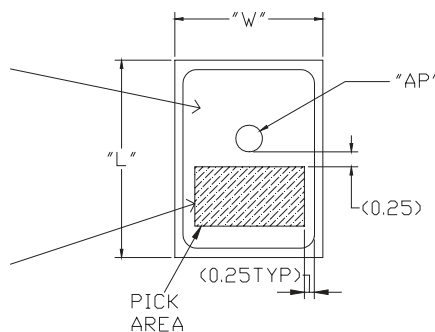


HANDLING RECOMMENDATIONS

1. Not recommended to blow air heavily over acoustic port as debris could impact mic function.
2. Not suitable for wash process after reflow.
3. Not recommended to brush board with or without solvents after reflow process.
4. Not recommended to directly expose to ultrasonic processing or cleaning.
5. Not recommended to insert any object in port of device at any time.
6. Not recommended to apply over 30 psi of air pressure into the port hole.
7. Not recommended to pull a vacuum over port hole.
8. Not recommended to apply a vacuum when repackaging into sealed bag a rate faster than 0.5 atm/sec.
9. Not recommended to clean table or carried plate with air guarding system that could induce particle floating inside mic.

Vacuum pick-up over the port hole is prohibited

pick up nozzle should stay within acceptable pick-up area

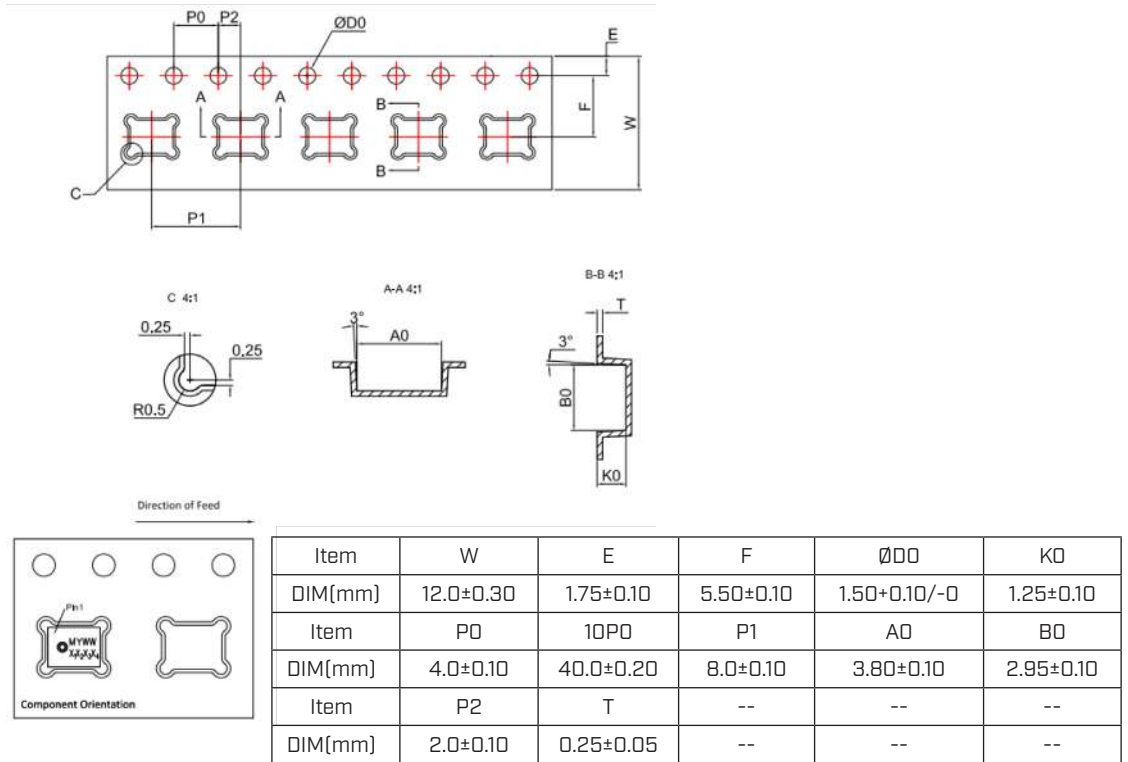


Recommended Vacuum Nozzle Pickup
Top View

PACKAGING

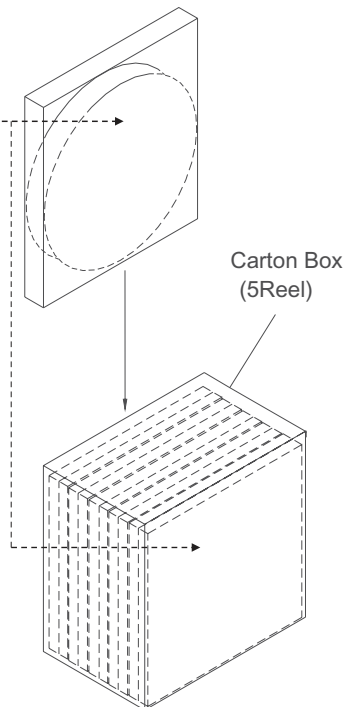
| parameter | conditions/description | min | typ | max | units |
|-----------------------|------------------------|-----|-----|-----|-------|
| MSL | Class 1 | | | | |
| reel size | Ø7 inches | | | | |
| reel QTY ⁴ | 1,100 pcs per reel | | | | |
| carton size | 310 x 210 x 165 mm | | | | |
| carton QTY | 5,500 pcs | | | | |

Note: 4. The leader tape of the reel, and the beginning tape fixed into the reel center, will leave 25 blank cavities each.



| | |
|-----------|-------------------------|
| Lot No. | XXXXXXXXXX |
| Part No. | CUI Inv#: CUI Part#. |
| Quantity. | XXXX Pcs |
| Date: | DD MM YY |
| | MADE IN CHINA |

RoHS Compliant



REVISION HISTORY

| rev. | description | date |
|------|------------------------------|------------|
| 1.0 | initial release | 03/09/2022 |
| 1.01 | logo, datasheet style update | 08/05/2022 |

The revision history provided is for informational purposes only and is believed to be accurate.



CUI Devices offers a one (1) year limited warranty. Complete warranty information is listed on our website.

CUI Devices reserves the right to make changes to the product at any time without notice. Information provided by CUI Devices is believed to be accurate and reliable. However, no responsibility is assumed by CUI Devices for its use, nor for any infringements of patents or other rights of third parties which may result from its use.

CUI Devices products are not authorized or warranted for use as critical components in equipment that requires an extremely high level of reliability. A critical component is any component of a life support device or system whose failure to perform can be reasonably expected to cause the failure of the life support device or system, or to affect its safety or effectiveness.

cuidevices.com