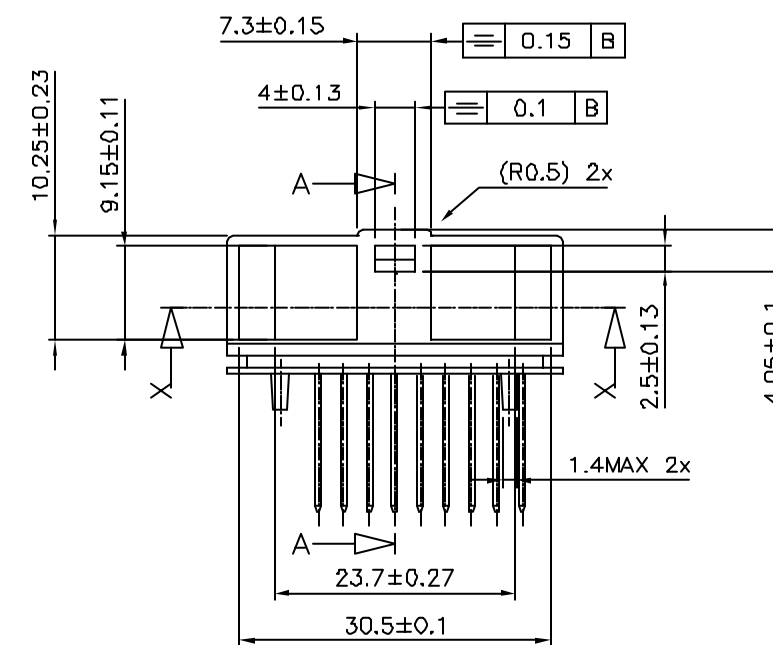
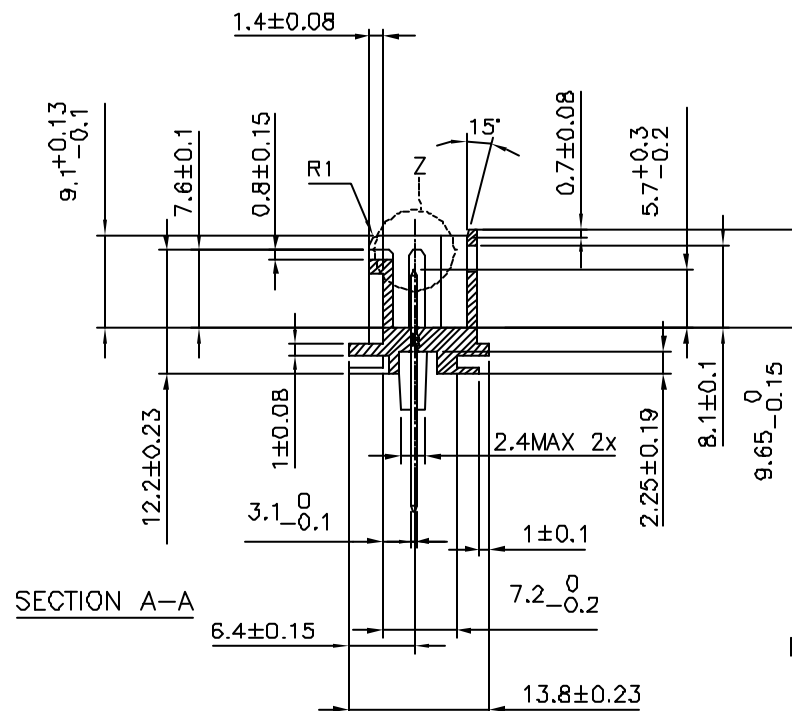
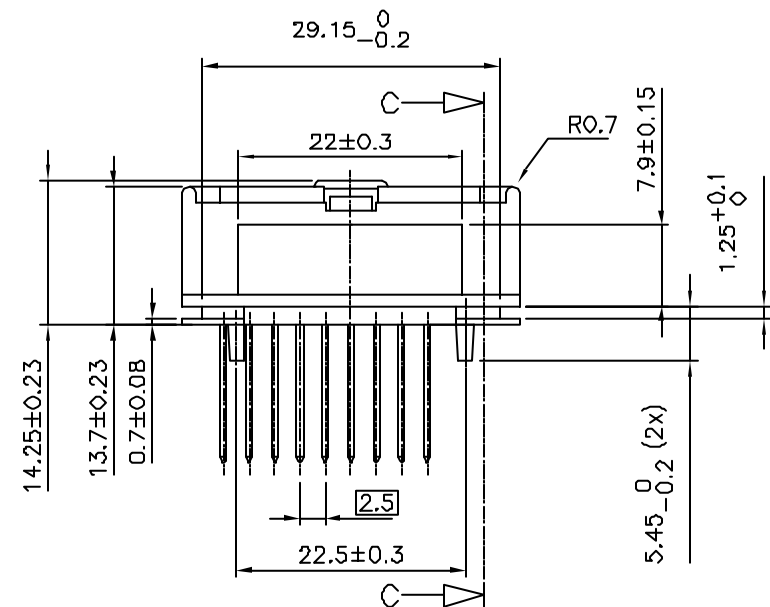
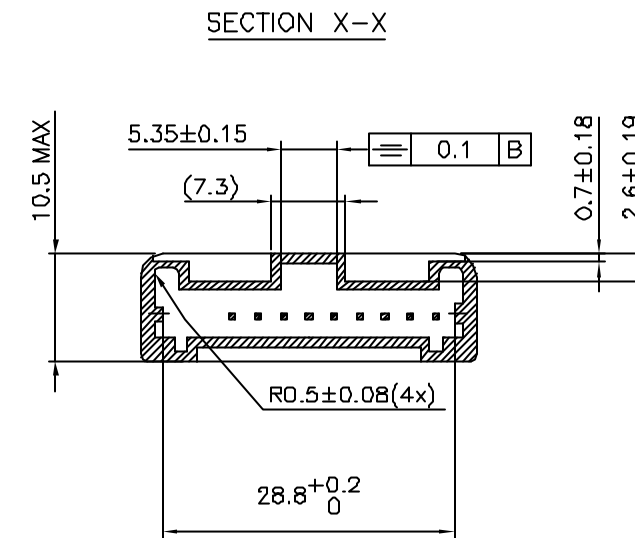
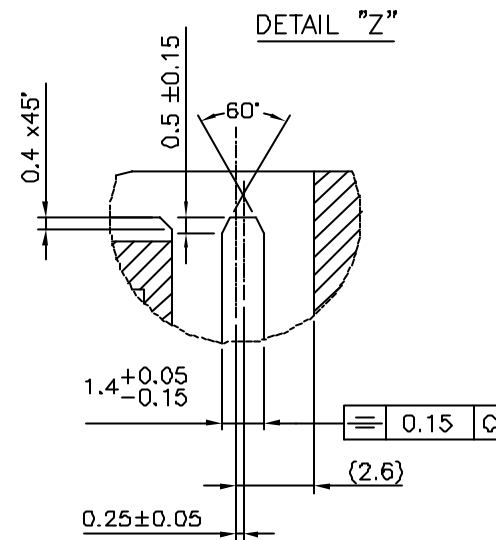
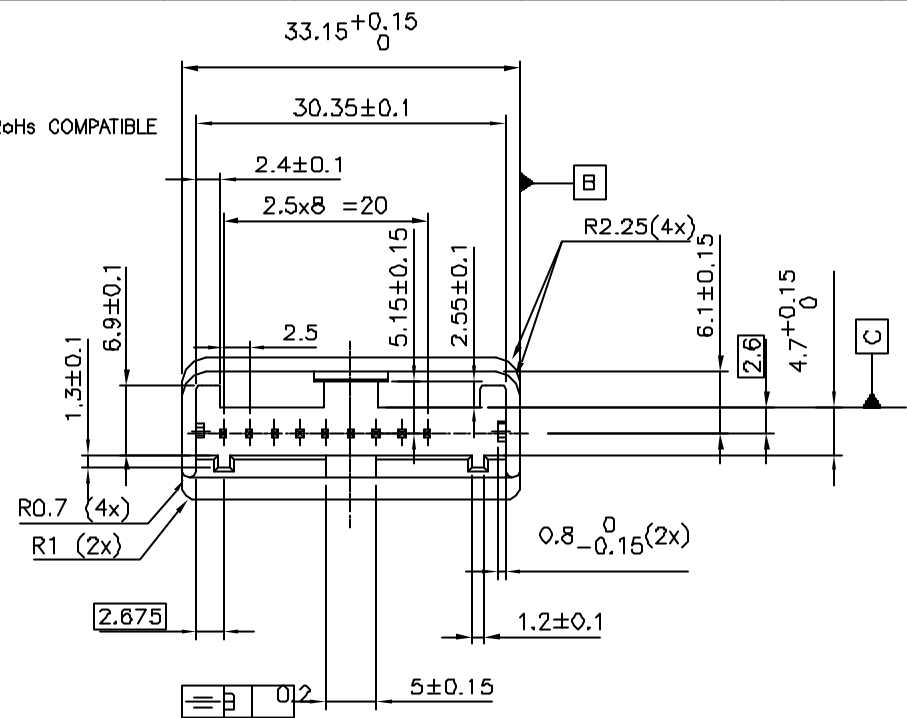


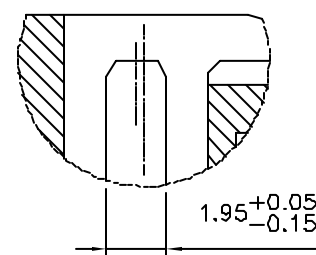
PRODUCT NUMBER
95275-001LF

LEAD FREE, RoHS COMPATIBLE
SEE NOTE 4.



NOTES:

- MATERIAL: PLASTIC - PBT 30% GLASSFILLED COLOR BLACK
PIN - PHOSPHOR BRONZE
 - PLATING : 3um-6um SnPb over 1.27umNi MIN
 - PIN PUSH OUT FORCE 30N MIN IN EITHER DIRECTION
 - PLATING 2.0um-7.5um MATTE TIN over 1.27um Ni MIN
- THIS PRODUCT MEETS EUROPEAN UNION DIRECTIVES AND OTHERS REGULATIONS.

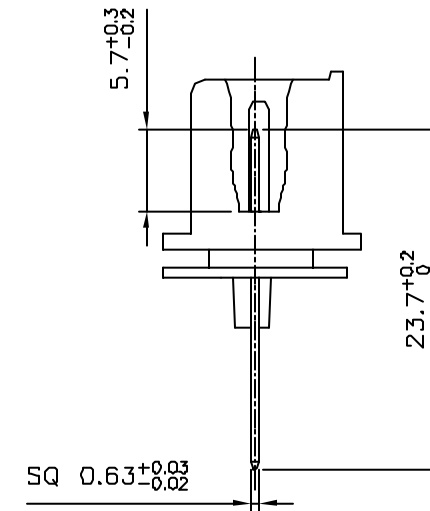
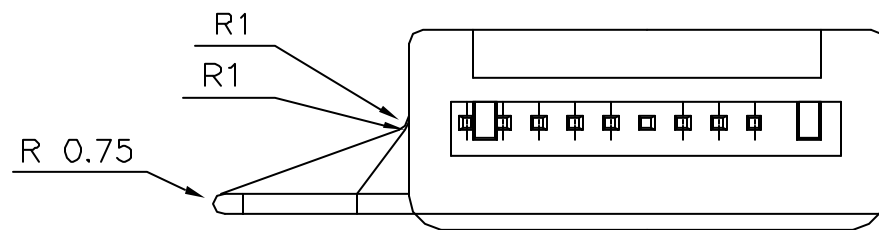
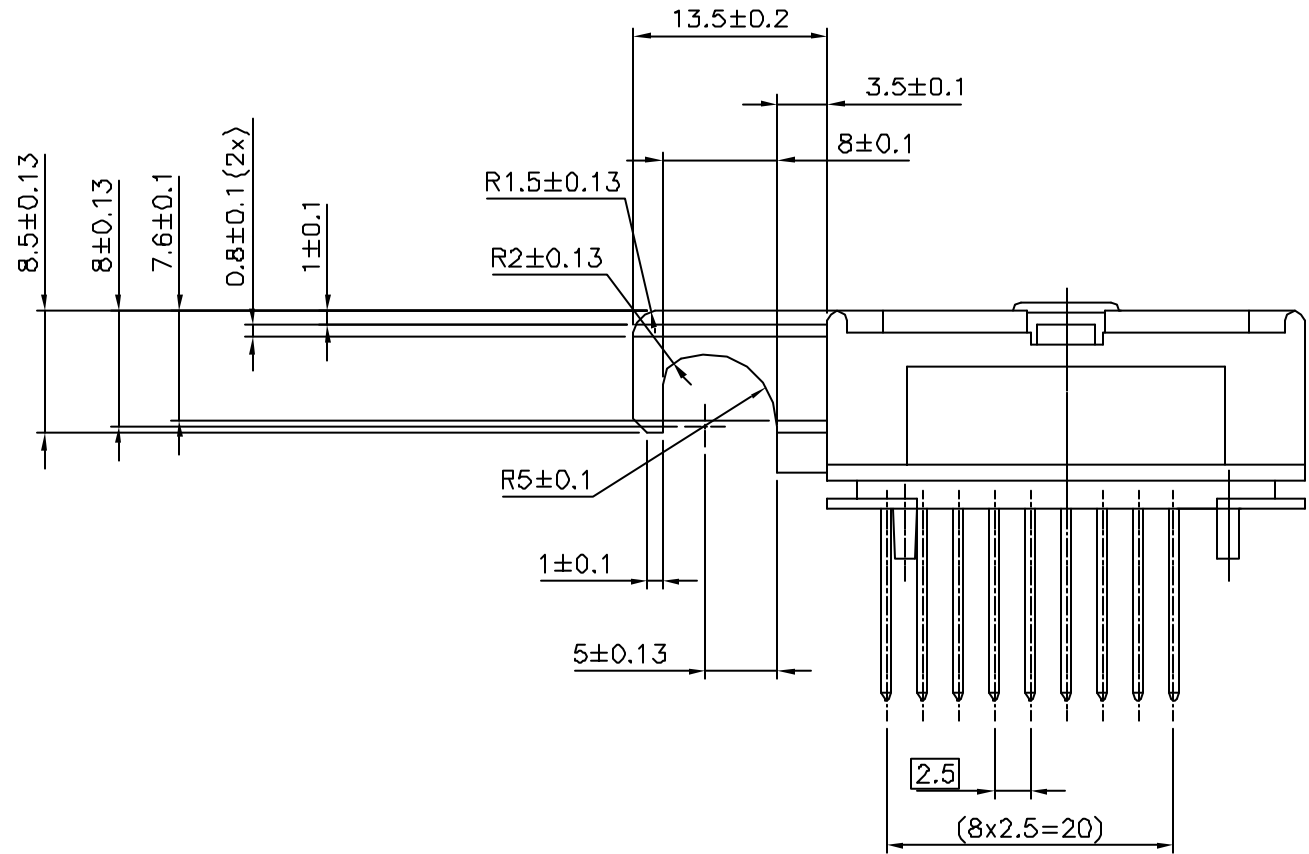
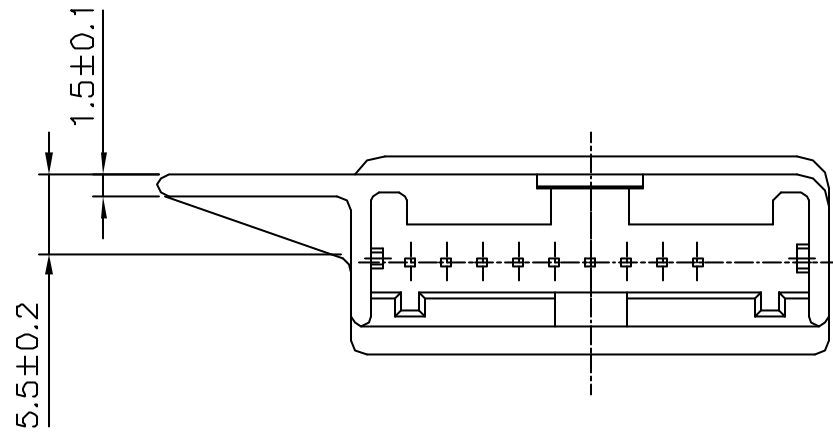


SECTION C-C

mat'l. code		surface		tolerance		projection		product family	
ISO 1312		ISO 416 ISO 1111		tolerances unless otherwise specified		mm		HEADER	
ltr	ecn no	dr	date	angles		Linear		title	
A	F7D468	JMC	97.07.05					HEADER BODY	
B	FD5-0419	LMU	06.01.03					2.5mm PITCH	
C	FD6-0196	LMU	06.06.20					scale 1:2	
		dr		J COMPAGNON		97.D1.16		dwg no	
		engr		JMC		97.07.05		sheet 1 of 2	
		chr						95275	
		appd		JMC		97.07.05		A3	
sheet index		revision		C		C		type	
sheet		1		2				CUSTOMER Drawing	

PRODUCT NUMBER
95275-002LF

LEAD FREE, RoHS COMPATIBLE
SEE NOTE 4, SHEET 1



mat'l. code		surface		tolerance		projection		product family	
SEE NOTE		ISO 1302		ISO 406 ISO 1101		mm		HEADERS	
ltr	ecn no	dr	date	tolerances unless otherwise specified		mm		title	
A	F70468	JMC	97.07.05	angles	Linear	mm		HEADER STR, SR, CABLE GUIDE	
B	F05-0419	LMU	06.01.03			scale 1:1		dwg no	
C	F06-0196	LMU	06.06.20			FCJ		sheet 2 of -	
				dr	J COMPAGNON	97.01.16		size	
				enr	JMC	97.07.05		95275	
				chr				A3	
				appd	JMC	97.07.05		type	
sheet index		revision sheet						CUSTOMER Drawing	