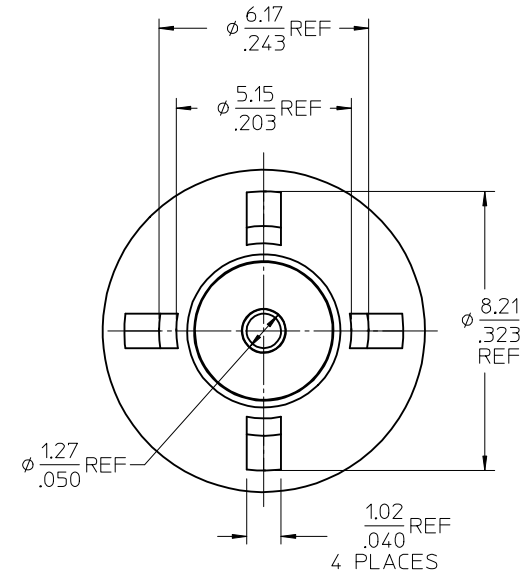
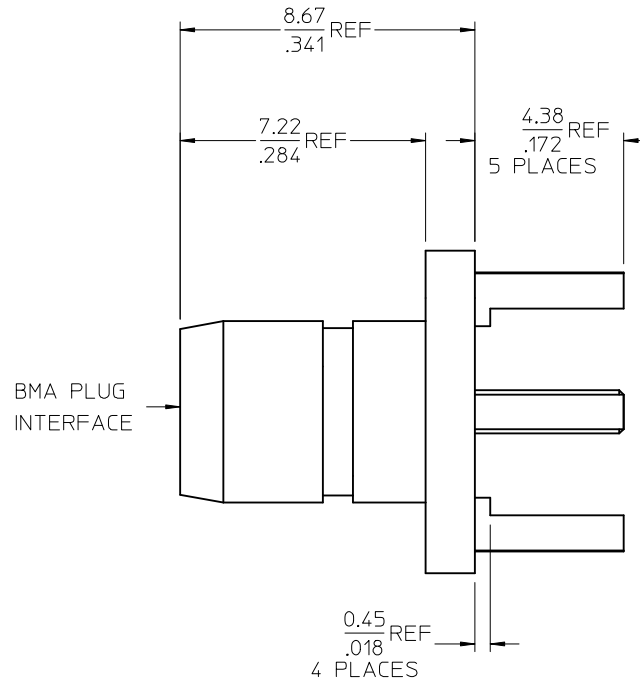
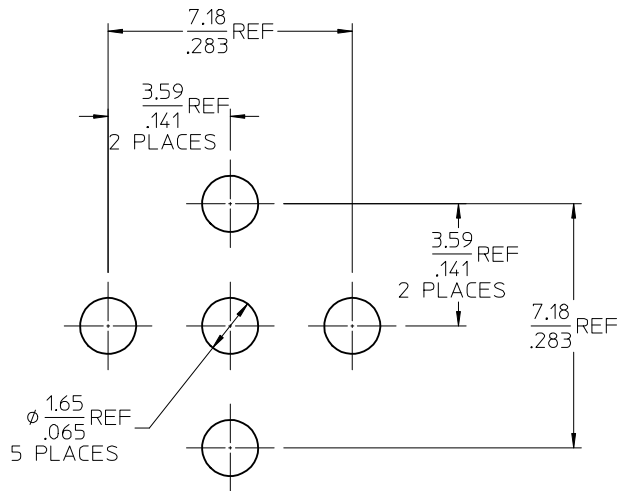
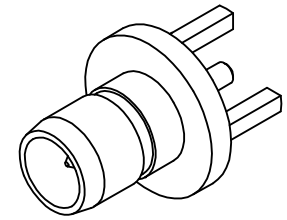


MATERIALS AND FINISHES

BODY BRASS  
PLATED GOLD

CENTER CONTACT BRASS  
PLATED GOLD

INSULATOR TEFLON



73298-0051	ONE PIECE 73298-0050 PER BAG
73298-0050	TRAY
PART NO.	PACKAGING

PS-89675-1840	ELECTRO/MECH SPEC
MIL-STD-348A, FIG. 321.1	INTERFACE
SPECIFICATION	DESCRIPTION

CHG: UPDATED PACKAGING TO -0050 PER RF15-E300	EC NO: URF2016-0154	2015/08/27
DRW:YR	CHKD:	APPR:YCHENG
DESCRIPTION	DATE	
REV		

QUALITY SYMBOLS	GENERAL TOLERANCES (UNLESS SPECIFIED)
▽=0	mm INCH
▽=0	4 PLACES ± --- ± ---
▽=0	3 PLACES ± --- ± ---
	2 PLACES ± --- ± ---
	1 PLACE ± --- ± ---
	0 PLACE ± ±
	ANGULAR ± 2 °
	DRAFT WHERE APPLICABLE MUST REMAIN WITHIN DIMENSIONS

DIMENSION STYLE	
MM/IN	
DRAWN BY	DATE
TEF	2005/02/09
CHECKED BY	DATE
SSS	2005/02/09
APPROVED BY	DATE
JDW	2005/02/09
MATERIAL NO.	
SEE TABLE	

SCALE	DESIGN UNITS	THIRD ANGLE PROJECTION
9:1	METRIC	
TITLE		
BMA PLUG, VERTICAL, PCB		
50 OHMS, EWR-2709		
BMA-P/PCB		
<b>molex</b>		
DOCUMENT NO.	SHEET NO.	
SD-73298-005	1 OF 1	
THIS DRAWING CONTAINS INFORMATION THAT IS PROPRIETARY TO MOLEX INCORPORATED AND SHOULD NOT BE USED WITHOUT WRITTEN PERMISSION		