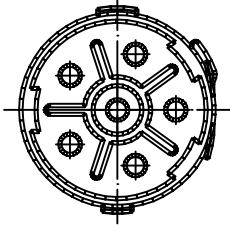
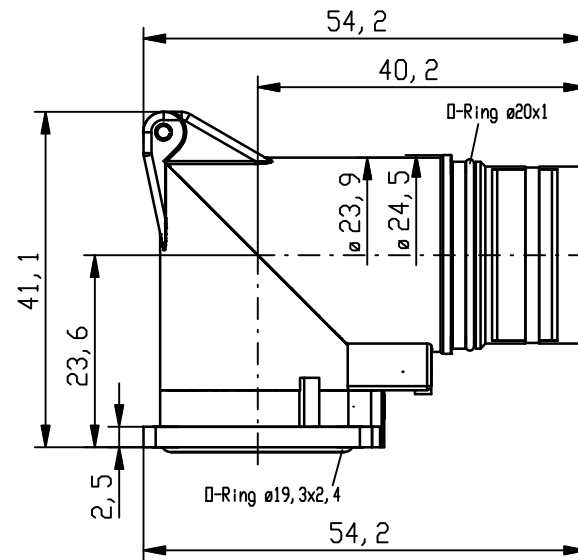
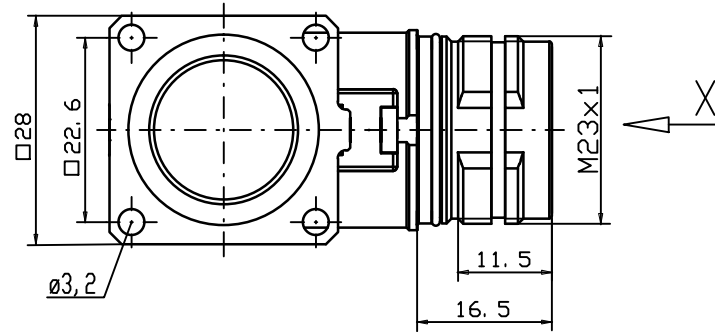
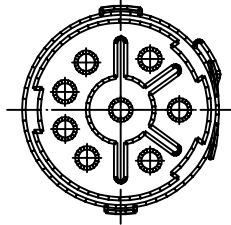


Views from "X" rotated

6-Pole
(5+1)



8-Pole



	Cable Diameter	Crimp Contacts	Without Contacts
6 Pole (5+PE)		KRP6G07-1052	KRP6G07-0052
		1202340013	1202340014
	Crimp range*	0,75-2,5mm ²	
8 Pole (4+3+PE)		KRP8G07-1152	KRP8G07-0052
		1202340015	1202340016
	Crimp range*	0,25-1,0mm ² /0,75-2,5mm ²	

*Crimp range only applies to "Crimp Contacts" version

Notes:

Tolerances (unless specified): DIN ISO 2768 m

DESCRIPTION EC NO: IPG2015-0907 DRWN: BBR/RAUCH 2014/11/19 CHKD: ZISMAYIL 2014/11/19 APPR: CBURGER	QUALITY SYMBOLS	GENERAL TOLERANCES (UNLESS SPECIFIED)	DIMENSION STYLE	SCALE	DESIGN UNITS	THIRD ANGLE PROJECTION
	▽ = 0	mm INCH	MM	---	METRIC	
	▽ = 0	4 PLACES ± --- ± ---	DRAWN BY DATE			REC M23 XP MA RA FM 4 X Ø 3.2MM
		3 PLACES ± --- ± ---	BB 2008/11/20			
	2 PLACES ± 0.05 ± ---	CHECKED BY DATE				
	1 PLACE ± 0.1 ± ---	JKO 2008/12/09				
	0 PLACE ± --- ± ---	APPROVED BY DATE				
	ANGULAR ± --- °	---				
	DRAFT WHERE APPLICABLE MUST REMAIN WITHIN DIMENSIONS	see table	MATERIAL NO.	DOCUMENT NO.		
2	SIZE A3			SD-120234-004		SHEET NO. 1 OF 1
			THIS DRAWING CONTAINS INFORMATION THAT IS PROPRIETARY TO MOLEX INCORPORATED AND SHOULD NOT BE USED WITHOUT WRITTEN PERMISSION			

