

## Bus system T-connector - SAC-M12T/2XM12 PB - 1440672

Please be informed that the data shown in this PDF Document is generated from our Online Catalog. Please find the complete data in the user's documentation. Our General Terms of Use for Downloads are valid (<http://download.phoenixcontact.com>)



Bus system T-plug, 5-pos., PROFIBUS, coding rotated 90°, M12 B-coded male plug to M12 B-coded male plug and M12 B-coded female plug, shielded



### Key commercial data

Packing unit	1 1
Weight per Piece (excluding packing)	40.0 GRM
Custom tariff number	85366990
Country of origin	Germany

### Technical data

#### Ambient conditions

Ambient temperature (operation)	-25 °C ... 80 °C (Plug / socket)
Degree of protection	IP65
	IP67

#### General

Rated current at 40°C	4 A
Rated voltage	30 V AC
Number of positions	4
Contact resistance	≤ 5 mΩ
Insulation resistance	≥ 1 GΩ
Coding	B - inverse
Standards/regulations	IEC 61076-2-101
Signal type/category	PROFIBUS
Status display	No
Surge voltage category	II
Pollution degree	3

## Bus system T-connector - SAC-M12T/2XM12 PB - 1440672

### Technical data

#### General

Test voltage	1 kV
Insertion/withdrawal cycles	≥ 100
Torque	0.4 Nm

#### Material

Inflammability class according to UL 94	V0
Contact material	CuSn
Contact surface material	Ni/Au
Contact carrier material	PUR
Material of grip body	PUR
Material, knurls	Nickel-plated brass
Sealing material	Viton

### Classifications

#### eCl@ss

eCl@ss 4.0	27060306
eCl@ss 4.1	27060306
eCl@ss 5.0	27061801
eCl@ss 5.1	27061801
eCl@ss 6.0	27061801
eCl@ss 7.0	27061801
eCl@ss 8.0	27061801

#### ETIM

ETIM 3.0	EC002061
ETIM 4.0	EC002061
ETIM 5.0	EC000421

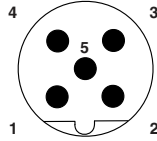
#### UNSPSC

UNSPSC 6.01	31251501
UNSPSC 7.0901	31251501
UNSPSC 11	31251501
UNSPSC 12.01	31251501
UNSPSC 13.2	31251501

### Drawings

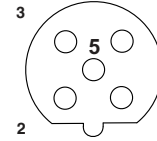
# Bus system T-connector - SAC-M12T/2XM12 PB - 1440672

Schematic diagram



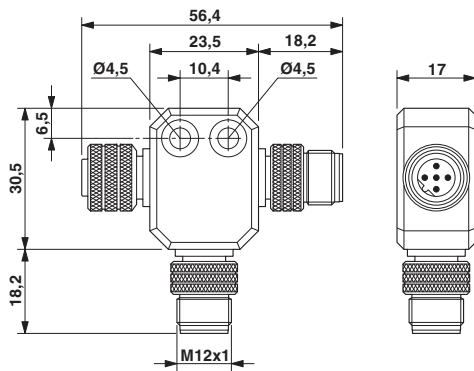
Pin assignment M12 male connector, 5-pos., B-coded, male side

Schematic diagram



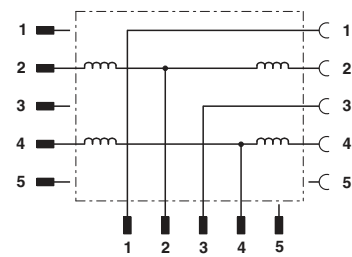
Pin assignment M12 socket, 5-pos., B-coded, female side

Dimensioned drawing



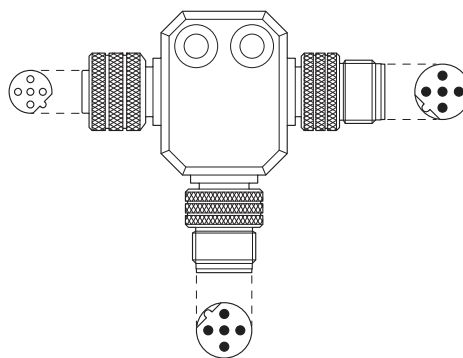
M12 T distributor

Circuit diagram



Contact assignment of the M12 plug and the M12 socket

Schematic diagram



Layout of connector pin assignments