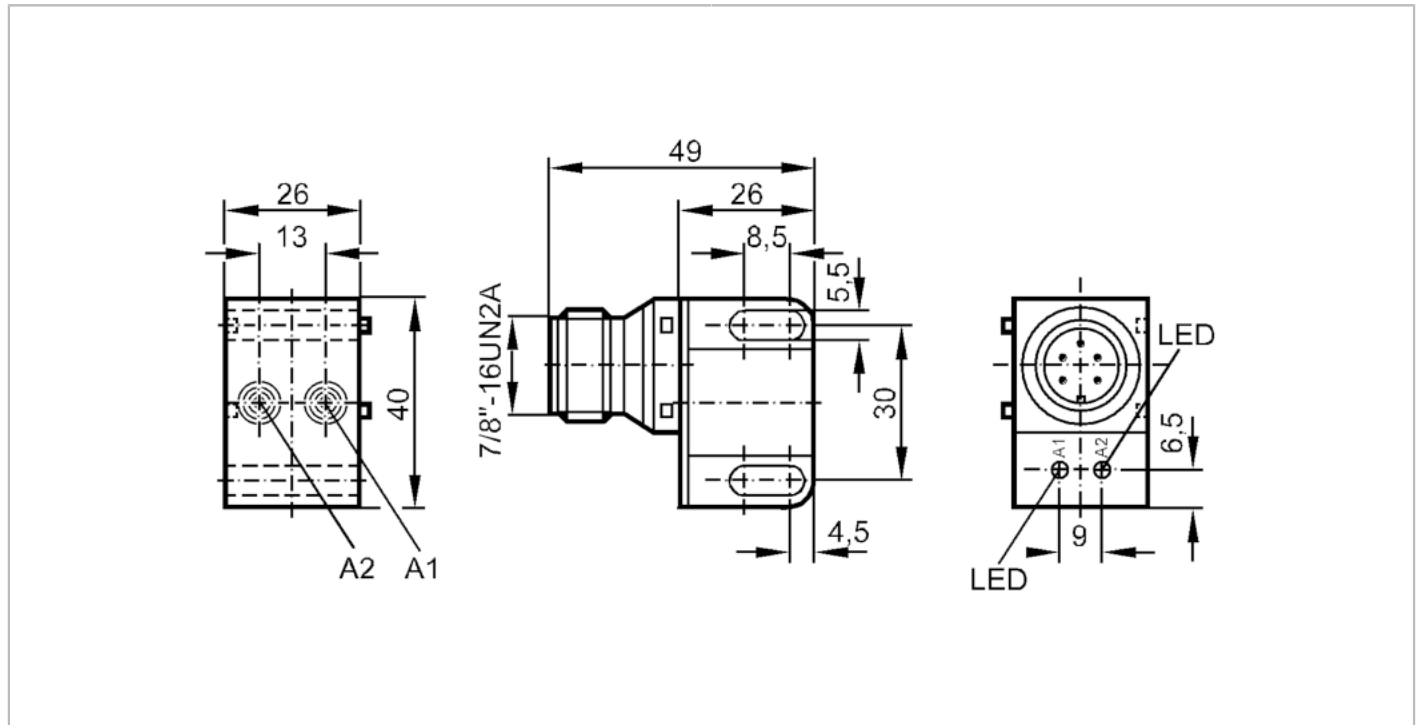


# IN0117



## Inductive dual sensor for valve actuators

IND2004DAROA/SL/LS-500 RT



### Product characteristics

Output function		2 x normally open
Sensing range	[mm]	4
Housing		rectangular
Dimensions	[mm]	40 x 26 x 26

### Electrical data

Frequency AC	[Hz]	47...63
Operating voltage	[V]	20...140 AC / 10...140 DC
Protection class		I
Reverse polarity protection		no

### Outputs

Output function		2 x normally open
Max. voltage drop switching output DC	[V]	5
Max. voltage drop switching output AC	[V]	5
Minimum load current	[mA]	5
Max. leakage current	[mA]	0.8
Permanent current rating of switching output AC	[mA]	200
Permanent current rating of switching output DC	[mA]	200
Short-time current rating of switching output	[mA]	900; (20 ms / 0,5 Hz)
Switching frequency AC	[Hz]	25
Switching frequency DC	[Hz]	25

# IN0117



## Inductive dual sensor for valve actuators

IND2004DAROA/SL/LS-500 RT

Short-circuit proof		no
Overload protection		no
<b>Detection zone</b>		
Sensing range	[mm]	4
Real sensing range Sr	[mm]	4 ± 10 %
Operating distance	[mm]	0...3.25
<b>Accuracy / deviations</b>		
Correction factor		steel: 1 / stainless steel: 0.7 / brass: 0.4 / aluminium: 0.3 / copper: 0.2
Hysteresis	[% of Sr]	3...15
Switch point drift	[% of Sr]	-10...10
<b>Operating conditions</b>		
Ambient temperature	[°C]	-25...80
Protection		IP 67
<b>Tests / approvals</b>		
EMC	EN 60947-5-2	
	EN 55011	class B
MTTF	[years]	502
<b>Mechanical data</b>		
Weight	[g]	78.5
Housing		rectangular
Mounting		non-flush mountable
Dimensions	[mm]	40 x 26 x 26
Materials		stainless steel (1.4305 / 303); PBT
<b>Displays / operating elements</b>		
Display	switching status	2 x LED, red
<b>Electrical connection</b>		
Required protection		miniature fuse to IEC60127-2 sheet 1; ≤ 2 A; fast acting; Place the fuse outside the hazardous area.
<b>Remarks</b>		
Remarks		Recommendation: Check the safe functioning of the unit after a short circuit.
Pack quantity		1 pcs.

# IN0117

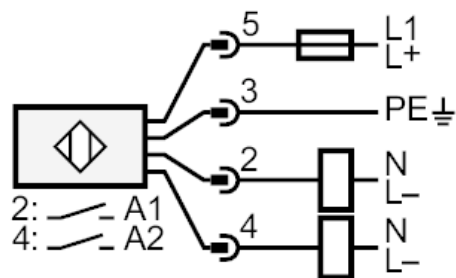
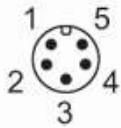


## Inductive dual sensor for valve actuators

IND2004DAROA/SL/LS-500 RT

### Electrical connection - plug

Connector: 1 x 7/8"; coding: A



Note miniature fuse to IEC60127-2 sheet 1  $\leq$  2 A fast acting  
Place the fuse outside the hazardous area.