

AZ7695

25 AMP MINIATURE POWER RELAY

FEATURES

- Low cost
- 25 Amp switching
- 80 Amp inrush current
- Short Circuit Rating 5000 A rms, 250 VAC
- Quick connect and PCB terminals
- Flux tight construction
- Class F insulation system available
- UL, CUR file E44211
- TUV 50251020



CONTACTS

Arrangement	SPST (1 Form A)
Ratings	Resistive load: Max. switched power: 6250 VA Max. switched current: 25 A Max. switched voltage: 250 VAC, 30 VDC
Rated Load UL, CUR	25A at 250 VAC/30 VDC Resistive, 100k ops, 85°C 25A at 250 VAC General use, 100k ops, 85°C 2 HP at 240 VAC Motor, 100k ops, 85°C 25 FLA / 85 LRA at 250 VAC, 100k ops, 85°C
TUV	16A/20A/25A 250VAC; cos phi=0, 95 100k ops, 85°C 16A/20A/25A 30VDC; 100k ops, 85°C 16A/20A/25A 250VAC; cos phi=0, 75 100k ops, 85°C NO: 70A/80A for 0,07s 250VAC; cos phi=0, 65 100k ops, 85°C NC: 25A for 4, 93s 250VAC; cos phi=0, 95 100k ops, 85°C
Material	silver tin oxide
Resistance	< 100 milliohms initially (6V, 1 A voltage drop method)

COIL

Power At Pickup Voltage (typical)	441 mW
Max. Continuous Dissipation	1.5 W at 20°C (73.4°F) ambient
Temperature Rise	60°C (140°F) at nominal coil voltage
Temperature	Max. 105°C (221°F) Max. 155°C (311°F) Class F

GENERAL DATA

Life Expectancy Mechanical Electrical	Minimum operations 1 x 10 ⁷ 1 x 10 ⁵ at 25 A 250 VAC Res.
Operate Time (max)	20 ms at nominal coil voltage
Release Time (max)	10 ms at nominal coil voltage (with no coil suppression)
Dielectric Strength (at sea level for 1 min.)	5,000 VAC coil to contact 1,000 VAC between open contacts 10,000 V surge contact to coil
Insulation Resistance	1000 megohms min. at 500 VDC
Dropout	Greater than 10% of nominal coil voltage
Ambient Temperature Operating Storage	At nominal coil voltage -40°C (-40°F) to 85°C (185°F) -40°C (-40°F) to 105°C (266°F)
Vibration	0.059" DA at 10–55 Hz
Shock Operating Non-Operating	10 g 100 g
Enclosure	P.B.T. polyester
Terminals	Tinned copper alloy P.C. & quick connect Note: Allow suitable slack on leads when wiring, and do not subject the terminals to excessive force.
Max. Solder Temp.	270°C (518°F)
Max. Solder Time	5 seconds
Weight	23 grams

NOTES

1. All values at 23°C (68°F).
2. Relay may pull in with less than "Must Operate" value.
3. Specifications subject to change without notice.

AMERICAN ZETTLER, INC.

3/17/2015

AZ7695

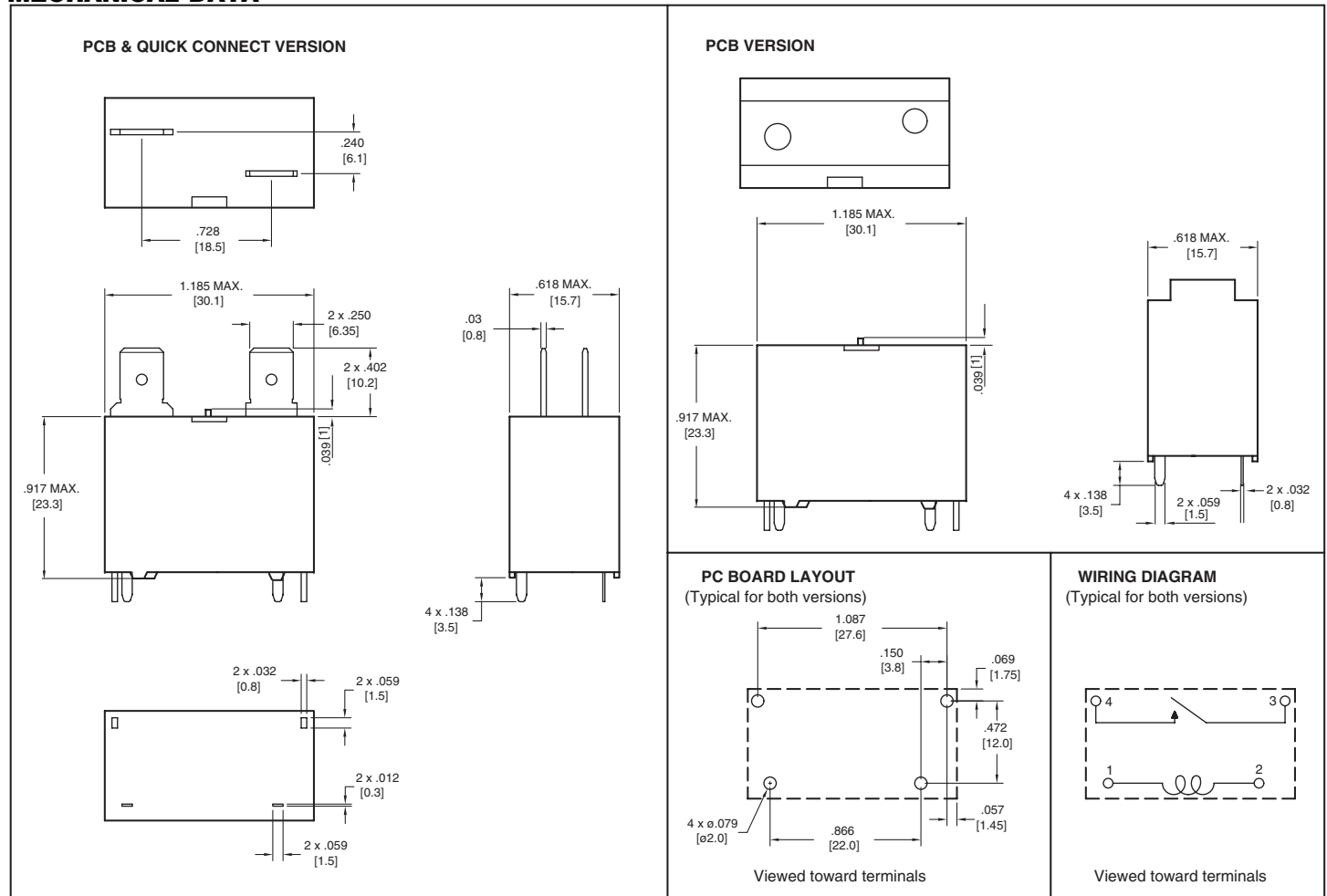
RELAY ORDERING DATA

COIL SPECIFICATIONS - PCB TERMINALS WITH QUICK CONNECT TERMINALS				ORDER NUMBER*
Nominal Coil VDC	Must Operate VDC	Max. Continuous VDC	Coil Resistance $\pm 10\%$	Form A (SPST)
5	3.5	6.5	28	AZ7695-1A-5D
6	4.2	7.8	40	AZ7695-1A-6D
9	6.3	11.7	90	AZ7695-1A-9D
12	8.4	15.6	160	AZ7695-1A-12D
18	12.6	23.4	360	AZ7695-1A-18D
24	16.8	31.2	640	AZ7695-1A-24D
48	33.6	62.4	2560	AZ7695-1A-48D

COIL SPECIFICATIONS - PCB TERMINALS				ORDER NUMBER*
Nominal Coil VDC	Must Operate VDC	Max. Continuous VDC	Coil Resistance $\pm 10\%$	Form A (SPST)
5	3.5	6.5	28	AZ7695-1A-5DK
6	4.2	7.8	40	AZ7695-1A-6DK
9	6.3	11.7	90	AZ7695-1A-9DK
12	8.4	15.6	160	AZ7695-1A-12DK
18	12.6	23.4	360	AZ7695-1A-18DK
24	16.8	31.2	640	AZ7695-1A-24DK
48	33.6	62.4	2560	AZ7695-1A-48DK

* For epoxy seal change "DK" to "DEK". For Class F insulation system add suffix "F" to part number.

MECHANICAL DATA



AMERICAN ZETTLER, INC.

3/17/2015

PHONE: (949) 831-5000

www.azettler.com

E-MAIL: SALES@AZETTLER.COM

This specification provides an overview of the most significant part features. Any individual applications and operating conditions are not taken into consideration. It is recommended to test the product under application conditions. Responsibility for the application remains with the customer. Proper operation and service life cannot be guaranteed if the part is operated outside the specified limits.