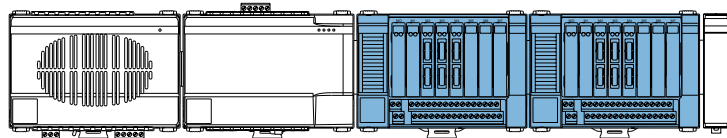


BASES 16 Channel

- Automatically Detects OpenLine® I/O Modules Types
 - Fast Memory Bus Interface to OpenLine® Controllers
 - Performs 500 microsecond Scans of all Digital I/O Modules
 - Multiple Termination Options
 - Stack up to Eight Bases for 128 I/O Modules
 - Small Footprint
 - DIN Rail Mountable
 - UL, CSA, CE Certified
- (See Engineering Info on p. L-3)

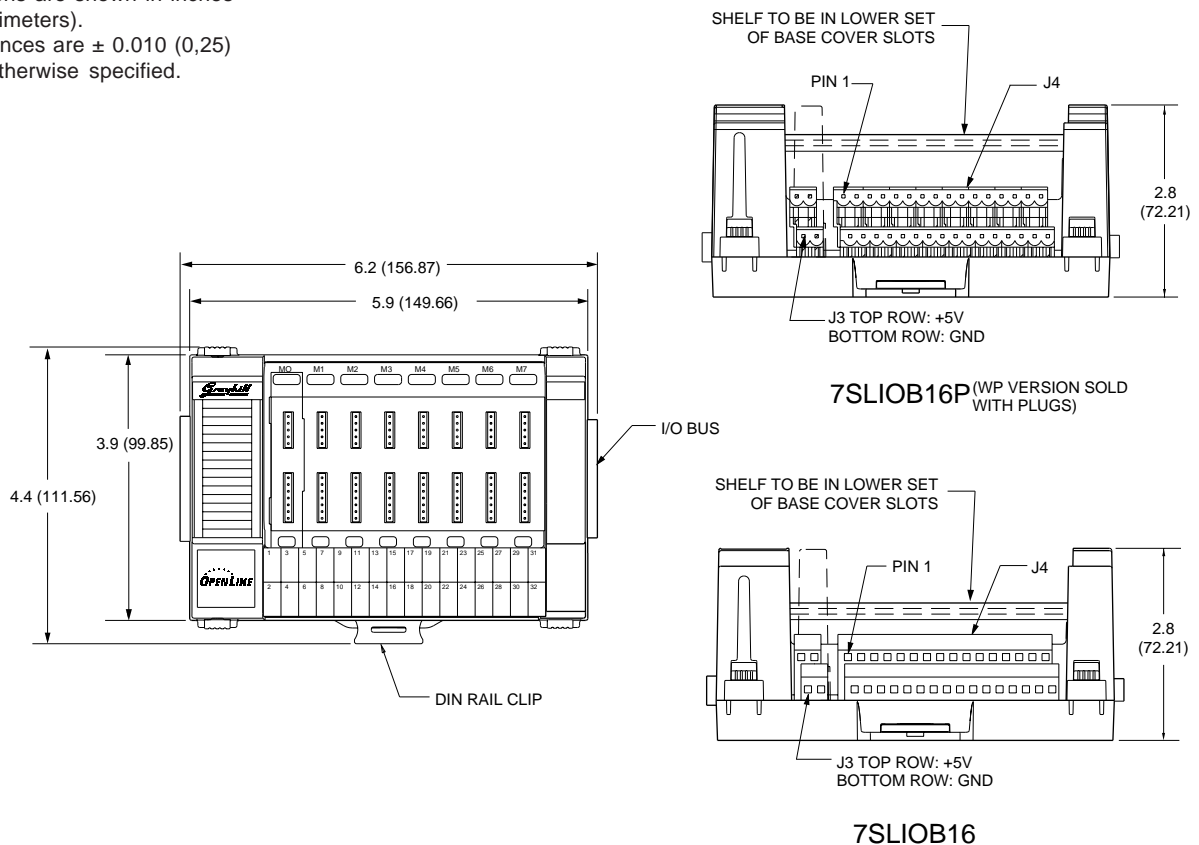


TWO 16 CHANNEL BASE UNITS ON OPENLINE® SYSTEM

16 CHANNEL BASE: OpenLine® Smart Base with Memory Mapped I/O

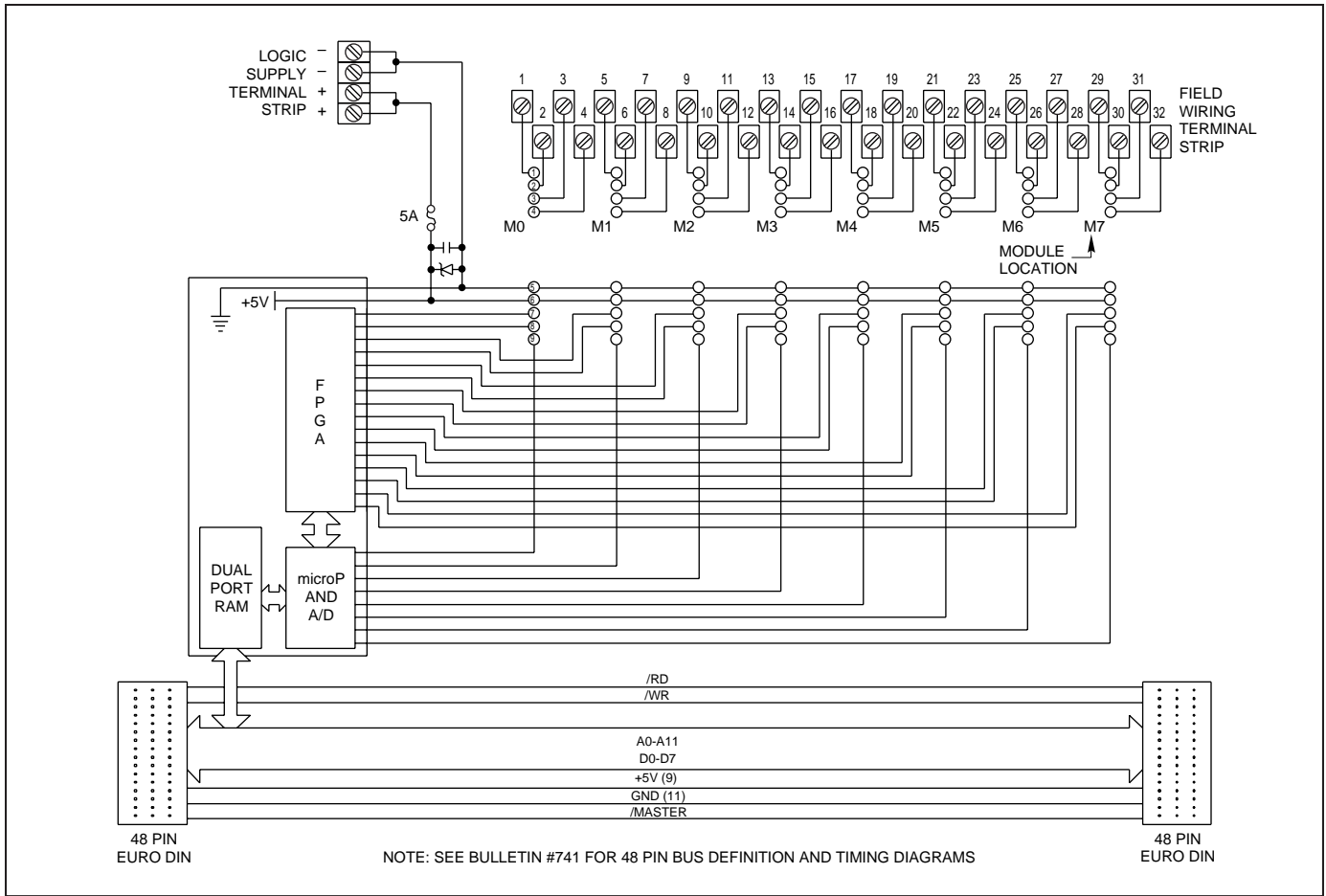
Part No. 7SLIOB16

Dimensions are shown in inches (and millimeters).
All tolerances are ± 0.010 (0,25) unless otherwise specified.



OpenLine® Control System

SCHEMATIC: Part No. 7SLIOB16 Smart Base with Memory Mapped I/O



ORDERING INFORMATION (modules ordered separately)

Part Number	I/O	Description	UL	CSA	Style
7SLIOB16	16	Smart bases with dual port RAM interface. 48-pin Euro DIN logic signal connector. DIN rail mount.	X	X	OpenLine®
7SLIOB16P	16	Pluggable terminator (w/o plug)	X	X	OpenLine®
7SLIOB16WP	16	Pluggable terminator (w/plug)	X	X	OpenLine®
70L-JUMP6	16	Six position jumper bar			OpenLine®

For General Control System Information see pages L-39 to L-42.

ACCESSORIES

See page L-54

Available from your local Grayhill Distributor. For prices and discounts, contact a local Sales Office, an authorized local Distributor or Grayhill.

DIMENSIONS: Jumper Bars

