



**REED SWITCH DEVELOPMENTS CORP.**

2524 Norwood Court

Racine, WI 53403

Ph: (262)883-9060

[sales@reedswitchdevelopments.com](mailto:sales@reedswitchdevelopments.com)

**SPECIFICATION SHEET**

**2220-1091-100**

Alternate Part Number:  
**AM2220-1091-10-01**

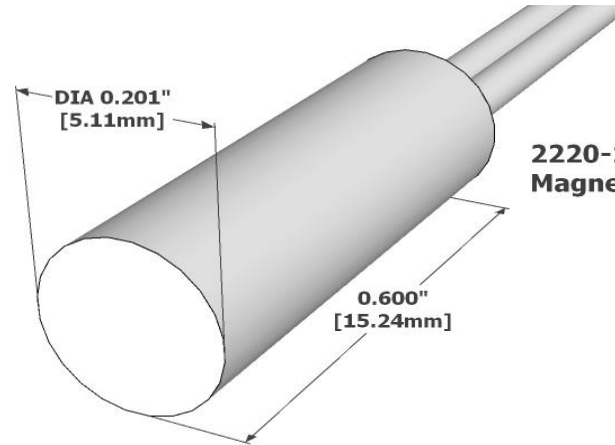
Active / Equivalent Part Numbers:

2220-1091-100 - Magnetic Reed Sensor Only

AM2220-1091-10-01 - Magnetic Reed Sensor Only

Sensor (Reed) - Specifications		1091	
Physical	Configuration	SPST	
	Form	A	
	Contact Position	CENTER	
	Glass L	7.00	mm
	Glass D	1.80	mm
	Total L*	46.00	mm
	Wire D	0.45	mm
	Gap Location	CENTER	
	Mount Spec*	THRU	
	Contact Material	RUTHENIUM	
	Max Vibration Resistance	10	G
	Max Shock Resistance (11ms)	100	G
	Lead Tensile Strength	N/A	KG
	Operating	Pull in (+/- 2AT)*	7 - 12
Drop out*		3 - 16	AT
Operate Time		0.115	ms
Bounce Time		0.035	ms
Release Time		0.035	µs
Resonant Frequency		17900	Hz
Max Operating Frequency		N/A	Hz
Operating Temperature Range		-55 - 105	°C
Storage Temperature		N/A	°C
Electrical		DC Contact Rating	10
	AC Contact Rating	N/A	VA
	DC Switching Voltage	170	VDC
	AC Switching Voltage	120	VAC
	DC Switching Current	0.500	A
	AC Switching Current	0.500	A
	DC Max Carry Current	0.500	A
	AC Max Carry Current	0.500	A
	Min Breakdown Voltage	210	VDC
	Max Initial Contact Resistance	150	mOhm
	Typical Initial Contact Resistance	120	mOhm
	Max Contact Capacitance	0.350	pF
	Min Insulation Resistance	10 <sup>6</sup>	Ohm

\* Pre-processed, bare reed element



**2220-1091-100  
Magnetic Reed Sensor**

All measurements are in Inches [millimeters]

**Sensor - Wire/Cable Characteristics (cont.)**

Type	Wire
Conductor Count	2
Length	6.0"/152.4mm
Colors	BLK
Insulation Material	PVC
Gauge	24 AWG
Stranded Copper	7 STR-TC
Maximum Temp	105°C

**Housing Characteristics 2220**

Cylindrical Smooth	
Length	0.600"/15.24mm
Diameter	0.201"/5.11mm
Material	Celanex 3316

**Standard Sensor/Actuator - Min. Actuation Distance**

2220-4938-000	0.13"/3.3mm
---------------	-------------

**Assembly Certifications**

UL Recognized (File #: E102207)	Y
RoHS / Reach Compliant	Y
Conflict Free Material	Y

REV DATE: 10/06/2021

DISCLAIMER NOTICE: INFORMATION FURNISHED IS PROPRIETARY, AND IS BELIEVED TO BE ACCURATE AND RELIABLE, AND IS SUBJECT TO CHANGE WITHOUT NOTICE. IT SHALL BE THE RESPONSIBILITY OF THE BUYER TO ENSURE THAT THE GOODS ARE SUFFICIENT AND SUITABLE FOR THE PURPOSE OR PURPOSES INTENDED (WHETHER BY THE BUYER OR BY ANY THIRD PARTY) AND THAT THEIR CAPACITY AND PERFORMANCE IS NOT ADVERSELY AFFECTED BY ANY ITEMS USED IN THEIR INSTALLATION (WHERE RELEVANT) AND/OR IN CONNECTION WITH THEM.

**MBE Certified - State of Wisconsin - MFR CAGE CODE: 32604**

[www.reedswitchdevelopments.com](http://www.reedswitchdevelopments.com)