

MATERIALS AND FINISHES

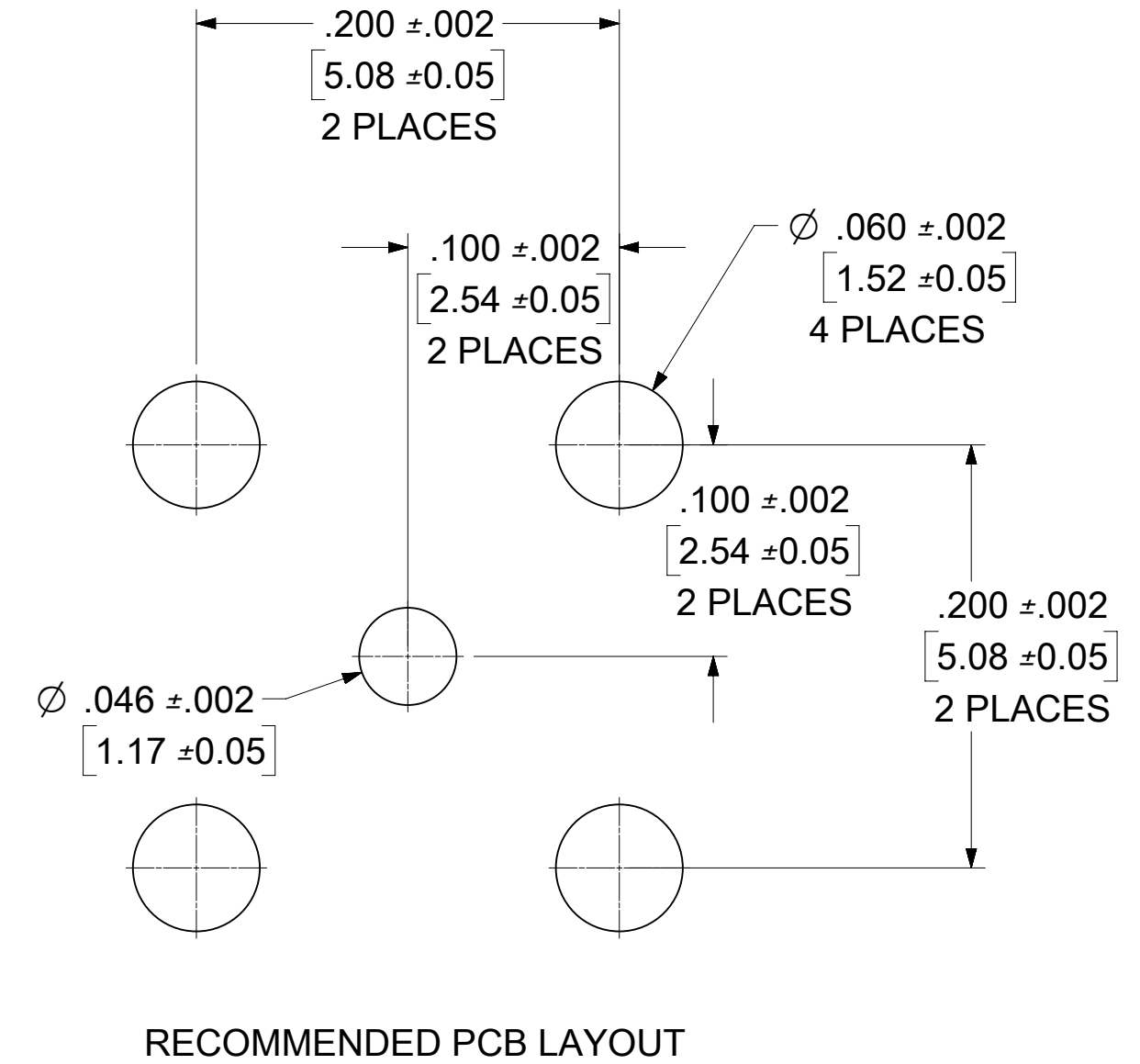
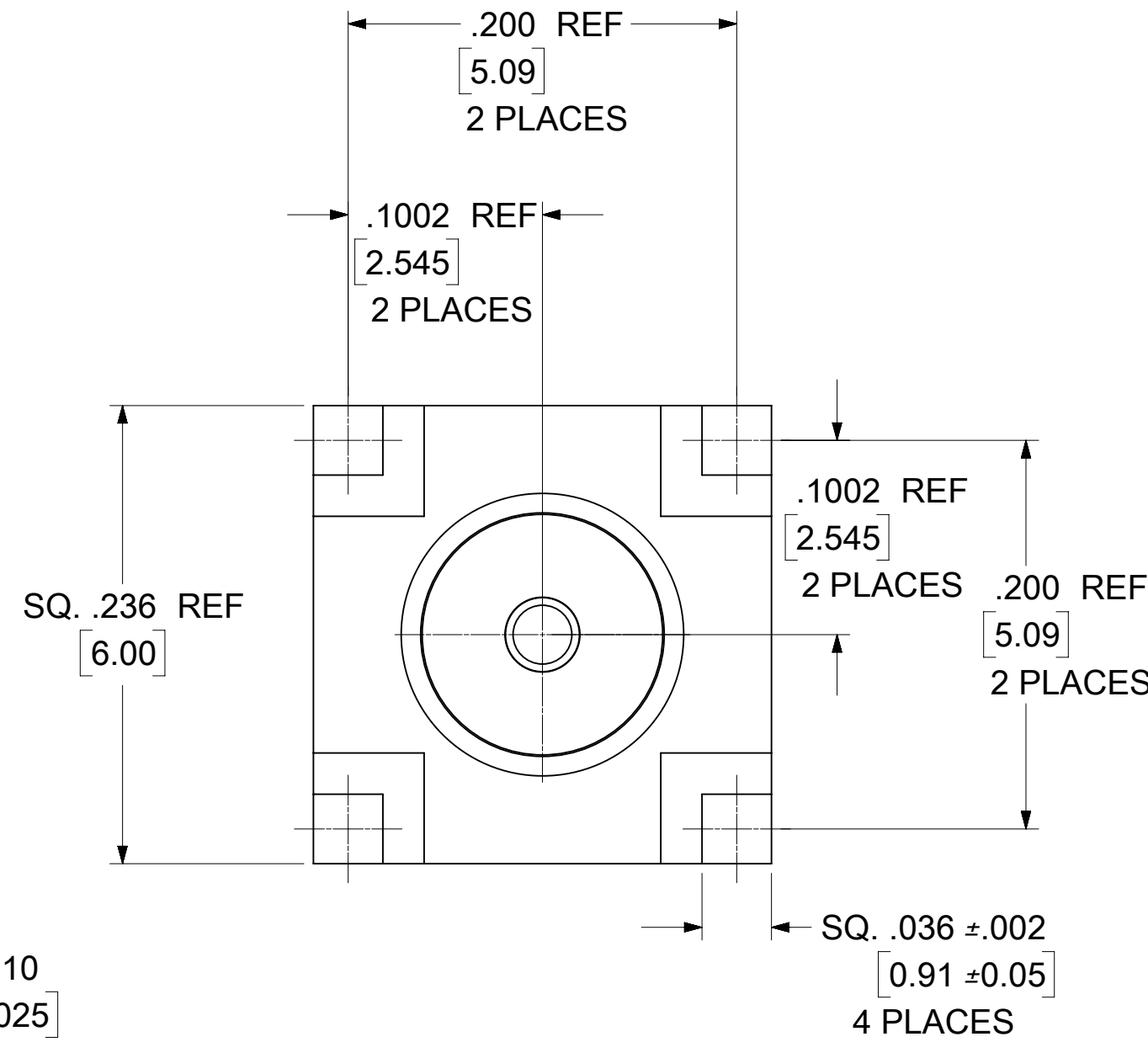
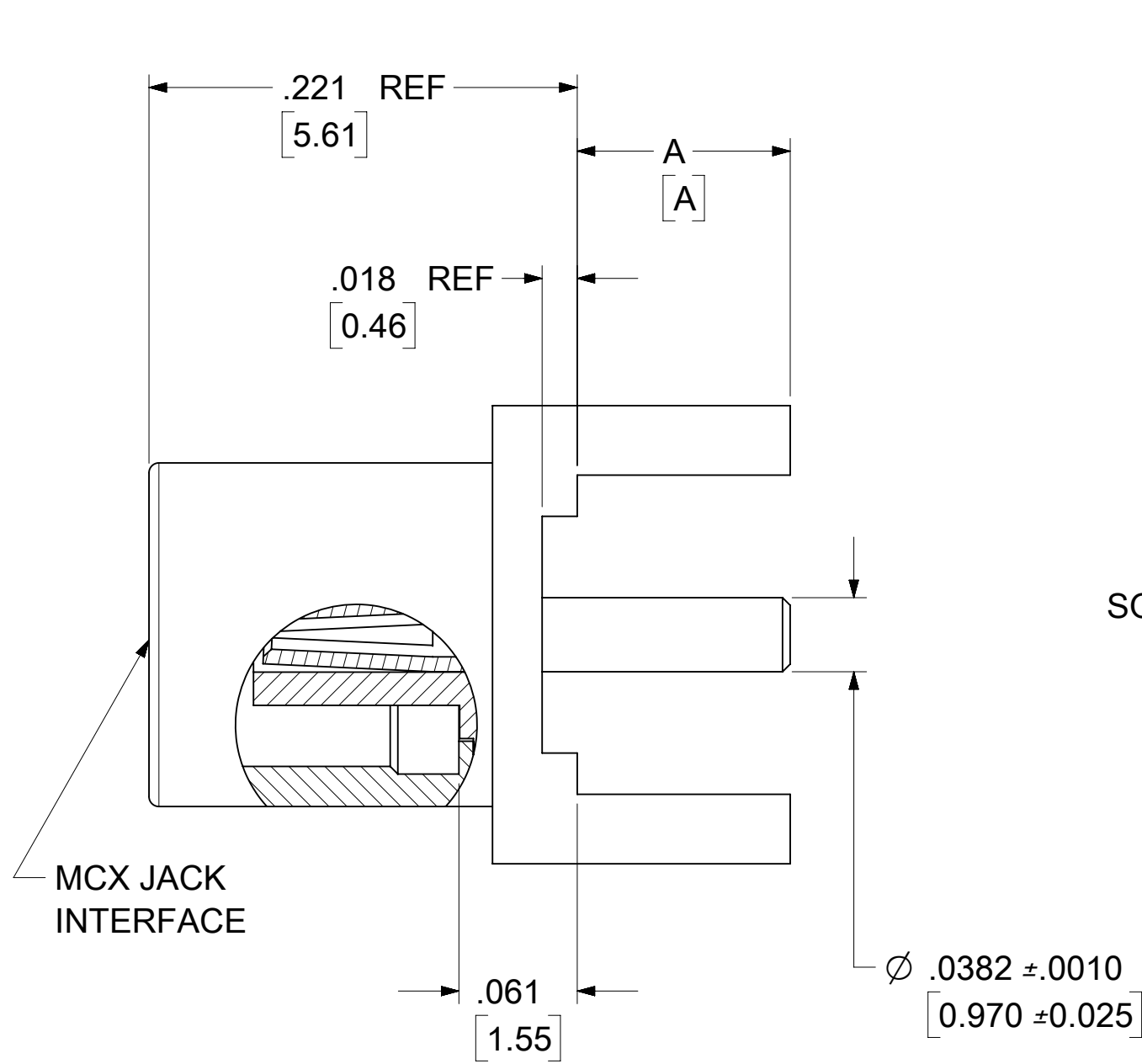
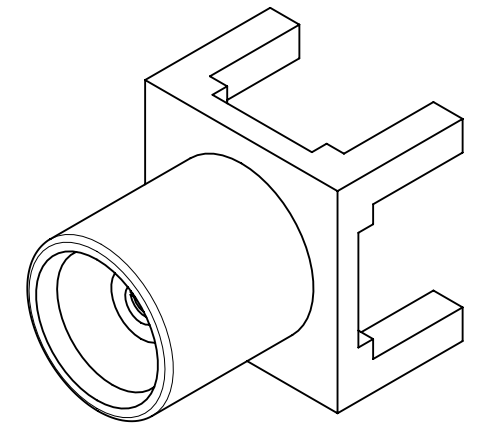
BODY: BRASS
PLATED SEE TABLE

CENTER CONTACT: BERYLLIUM COPPER
PLATED GOLD

INSULATOR: TEFLON

ELECTRICAL & MECHANICAL REQUIREMENTS:

1. FREQUENCY RATING: DC TO 6 GHz
2. MATING AND UN-MATING FORCE
MATING FORCE: 14 LBS MAX
UN-MATING FORCE: 1.8 LBS TO 7 LBS MAX.
3. CENTER CONTACT RETENTION FORCE: 2.25 LBS MIN.
4. CONNECTOR DURABILITY: 500 CYCLES
5. VSWR: 1.2 MAX. @ DC-6 GHz
6. INSERTION LOSS: 0.18 dB MAX. @ DC-6 GHz
7. DIELECTRIC WITHSTANDING VOLTAGE: 1000Vrms.
8. INSULATION RESISTANCE: 1 GΩ MIN. INITIAL



73415-4223	GOLD	.155 REF	3.94 REF
73415-4222	NICKEL	.110 REF	2.79 REF
73415-4221	TIN	.110 REF	2.79 REF
73415-4220	GOLD	.110 REF	2.79 REF
PART NO.	BODY PLATING	IN	MM
DIM(X)		DIM A	

CECC-22-220	MCX INTERFACE
SPECIFICATION	DESCRIPTION

A5	2020/07/08	ADD ELEC. & MECHAN. ; DELETE PS PER EWR13848-B
REV	DATE	DESCRIPTION

FUNCTIONAL SYMBOLS	THIS DRAWING CONTAINS INFORMATION THAT IS PROPRIETARY TO MOLEX ELECTRONIC TECHNOLOGIES, LLC AND SHOULD NOT BE USED WITHOUT WRITTEN PERMISSION		
	DIMENSION UNITS	SCALE	CURRENT REV DESC:
FA = 0	IN/MM	NTS	EC NO: 640594 DRWN: CWEI02 CHK'D: YCHENG APPR: YCHENG 2020/06/17 2020/07/08 2020/07/08
FC = 0	GENERAL TOLERANCES (UNLESS SPECIFIED)		
FP = 0	ANGULAR TOL ± 2.0°		
DIVISIONAL SYMBOLS	4 PLACES ±	3 PLACES ±	
	2 PLACES ±	1 PLACE ±	INITIAL REVISION:
	0 PLACES ±	0 PLACES ±	DRWN: AZR APPR: GMH 2003/04/09 2003/09/03
DRAFT WHERE APPLICABLE MUST REMAIN WITHIN DIMENSIONS		THIRD ANGLE PROJECTION	DRAWING
			SERIES
			73415
DOCUMENT STATUS		P1	RELEASE DATE
2020/07/08			06:50:28
DOCUMENT NUMBER		CUSTOMER	SHEET NUMBER
SD-73415-422		GENERAL MARKET	1 OF 2
DOC TYPE		DOC PART	REVISION
PSD		001	A5

molex

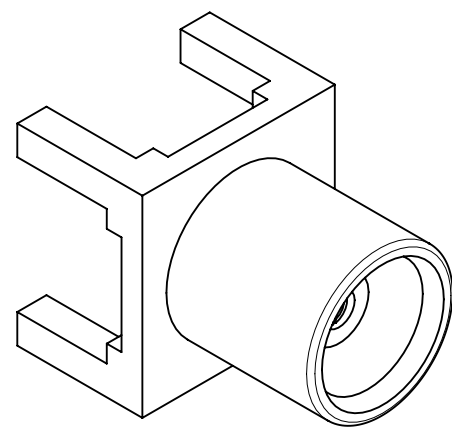
MCX JACK VERT PCB TH
50 OHM, EWR-2524 MCX-J/PCB

PRODUCT CUSTOMER DRAWING

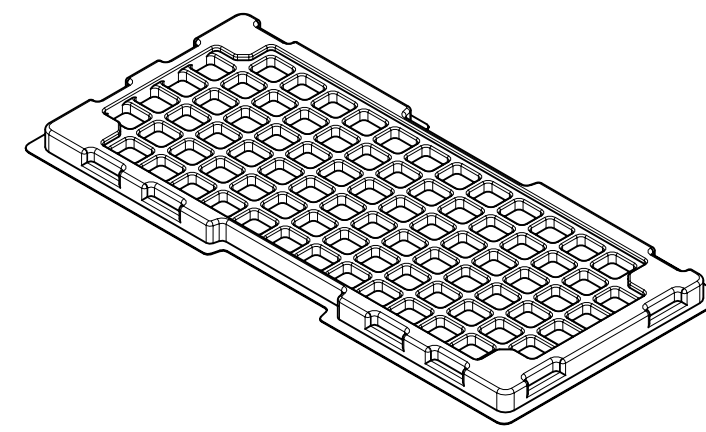
SD-73415-422

PSD 001 A5

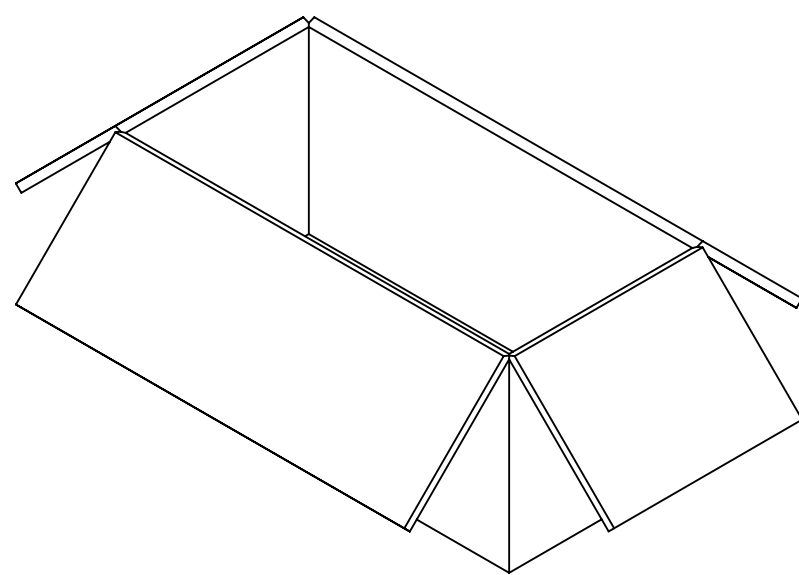
SEE TABLE GENERAL MARKET 1 OF 2



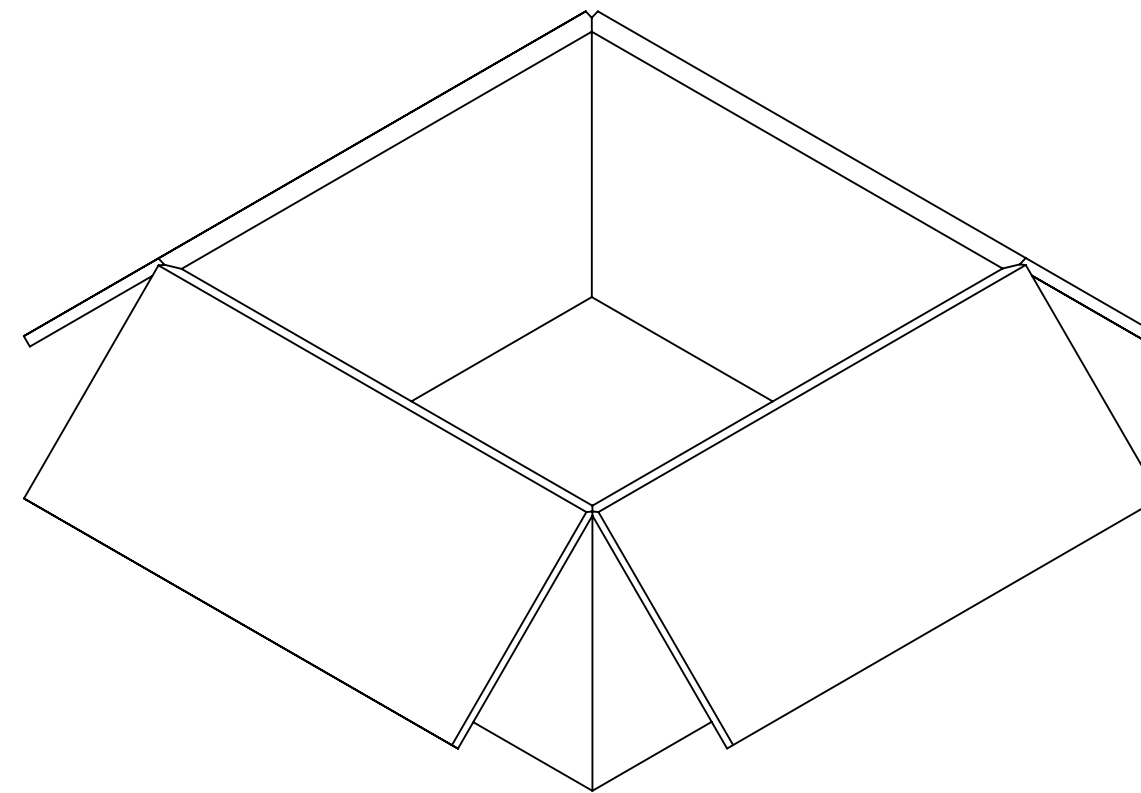
PART NO.: 73415-4220, 73415-4221
73415-4222, 73415-4223



80 SETS PER TRAY
P/N: 89707-0190



1600 SETS PER INNER CARTON BOX
P/N: 96707-0001



3200 SETS PER OUTER CARTON BOX
P/N: 96708-0005

FUNCTIONAL SYMBOLS $\nabla_A = 0$ $\nabla_C = 0$ $\nabla_P = 0$	THIS DRAWING CONTAINS INFORMATION THAT IS PROPRIETARY TO MOLEX ELECTRONIC TECHNOLOGIES, LLC AND SHOULD NOT BE USED WITHOUT WRITTEN PERMISSION														
	DIMENSION UNITS		SCALE		CURRENT REV DESC:										
	IN/MM		NTS		EC NO: 640594 DRWN: CWEI02 2020/06/17 CHK'D: YCHENG 2020/07/08 APPR: YCHENG 2020/07/08										
	GENERAL TOLERANCES (UNLESS SPECIFIED)										PRODUCT CUSTOMER DRAWING				
ANGULAR TOL $\pm 2.0^\circ$										DOCUMENT NUMBER		DOC TYPE	DOC PART	REVISION	
4 PLACES \pm				INITIAL REVISION:						SD-73415-422		PSD	001	A5	
3 PLACES \pm				DRWN: AZR 2003/04/09						SEE TABLE		GENERAL MARKET		SHEET NUMBER	
2 PLACES \pm				APPR: GMH 2003/09/03						MATERIAL NUMBER		CUSTOMER		2 OF 2	
1 PLACE \pm				DRAFT WHERE APPLICABLE MUST REMAIN WITHIN DIMENSIONS		THIRD ANGLE PROJECTION		DRAWING		SERIES		MATERIAL NUMBER		CUSTOMER	
0 PLACES \pm								C-SIZE		73415		SEE TABLE		GENERAL MARKET	

DOCUMENT STATUS	P1	RELEASE DATE	2020/07/08	06:50:28
-----------------	----	--------------	------------	----------