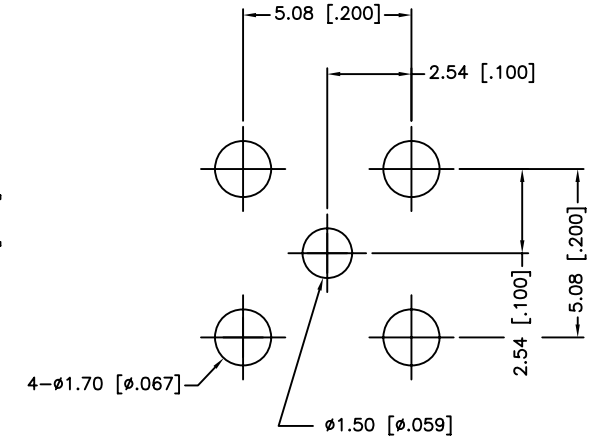
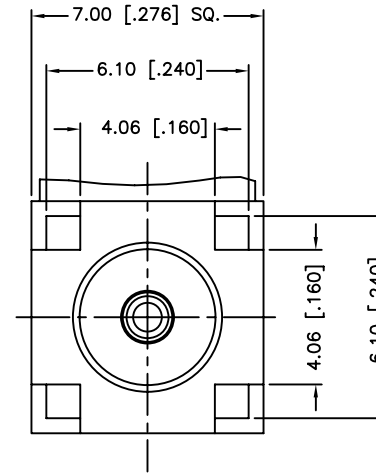
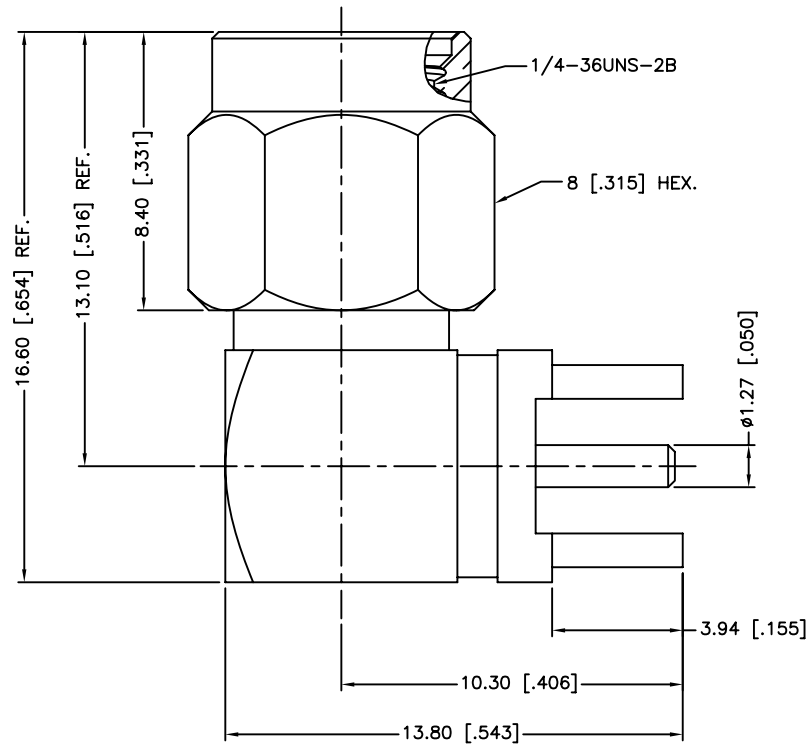
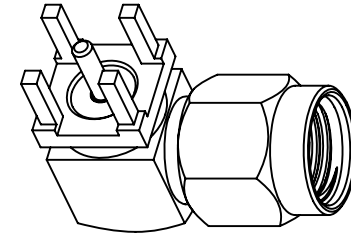


REV.	DATE	ECR NO.	DESCRIPTION
NC	04/16/12	-	INITIAL RELEASE



PCB MOUNTING HOLES

1. IMPEDANCE: 50 OHM
2. FREQUENCY RANGE: DC 0-18 GHZ
3. DIELECTRIC WITHSTANDING VOLTAGE: 1000 VRMS, MIN.
4. DURABILITY: 500 CYCLES MIN.
5. TEMPERATURE RANGE: -65°C TO +165°C

9	CONTACT PIN	BRASS	GOLD	1
8	INSULATOR	PTFE	NATURAL	1
7	COVER	BRASS	GOLD	1
6	HOUSING WITH BODY	BRASS	GOLD	1
5	CONTACT PIN	BERYLLIUM COPPER	GOLD	1
4	INSULATOR	PTFE	NATURAL	1
3	RETAINER RING	SUS 304	NATURAL	1
2	GASKET	SILICON RUBBER	RED	1
1	SHELL	BRASS	GOLD	1
	DESCRIPTION	MATERIAL	FINISH	QTY

UNLESS OTHERWISE SPECIFIED DIMENSIONS ARE IN MILLIMETERS. DIMENSIONS IN [ ] ARE IN INCHES AND FOR CUSTOMER REFERENCE ONLY.

UNLESS OTHERWISE SPECIFIED TOLERANCES FOR MILLIMETERS ARE:  
0.5 - 8mm ± 0.20mm  
8 - 30mm ± 0.40mm  
30 - 120mm ± 0.50mm

UNLESS OTHERWISE SPECIFIED TOLERANCES FOR INCHES ARE:  
.020 - .315 = ± 0.007"  
.315 - 1.180 = ± 0.015"  
1.180 - 4.724 = ± 0.020"

DO NOT SCALE DRAWING

APPROVALS	DATE
DRAWN M.ZHANG	04/16/12
CHECKED	
ISSUED	
SHEET 1 OF 1	
CAD FILE	
C:/CONNEX/132135RP.DWG	

<b>Amphenol Connex</b>			
PART DESCRIPTION			
SMA REVERSE POLARITY R/A P.C.B PLUG			
PART NO.			
132135RP			
DWG. NO.	132135RP.DWG	REV.	NC
SIZE	A	SCALE	NA