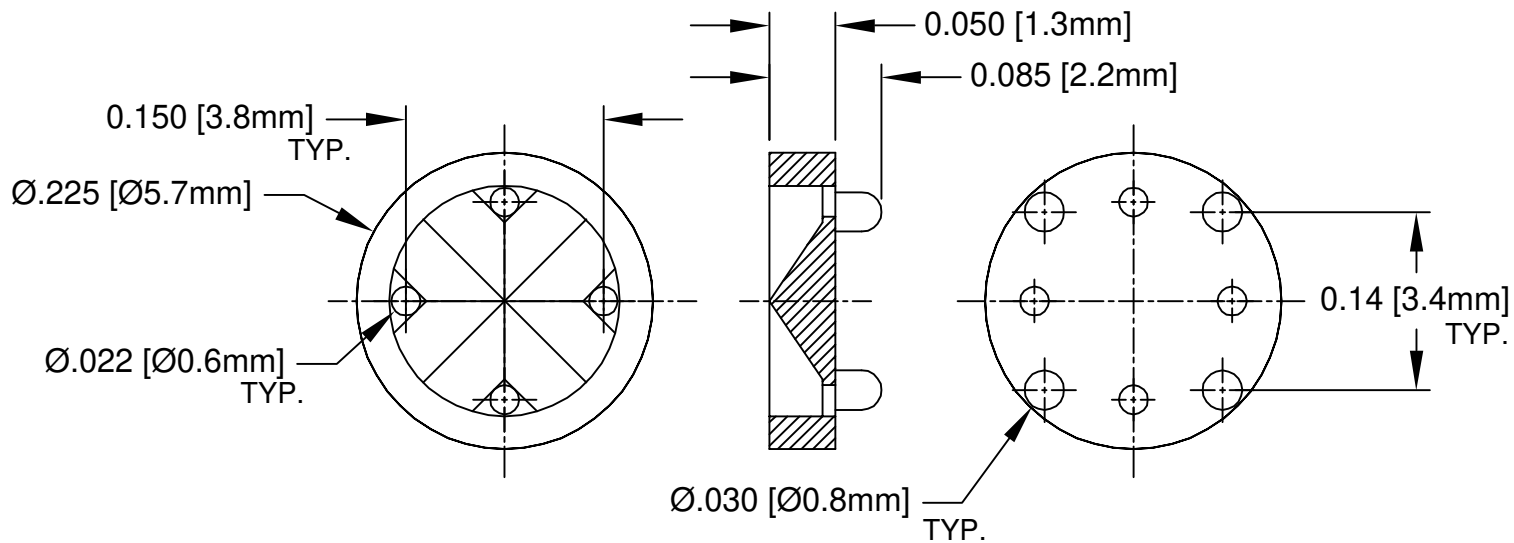



REV.	DESCRIPTION	DATE	APPROVED
<b>A</b>	Engineering Update w/o Changes	<b>02/17/04</b>	<b>M. C.</b>



2. MATERIAL: NYLON 6/6, 94V-2, WHITE. BIVAR MATERIAL CODE 04-WE.  
 BASF ULTRAMID NYLON 6/6 A3K WHITE.
1. GENERAL SPECIFICATIONS: BIVAR MOLDED COMPONENT SPECIFICATION BV00-E101.

STANDARD TOLERANCE ( UNLESS OTHERWISE SPECIFIED ) DECIMALS                      ANGULAR .X            ± .1                      X°    ± 1° .XX          ± .01 .XXX        ± .005		 <b>BIVAR</b> <sup>®</sup> 4 THOMAS, IRVINE, CA. 92618 TEL: (949) 951-8808    FAX: (949) 951-3974	
DESIGNED: <b>Shane Irving</b>		DATE: <b>07/16/98</b>	
CHECKED: <b>D. Green</b>		DATE: <b>02/17/04</b>	
TITLE: PERM-O-PAD TO-18 MOUNT		PART NO: <b>205-085</b>	
REVISION: <b>A</b>		CAGE CODE : <b>32559</b> SHEET # <b>1 OF 1</b>	
<small>CAD GENERATED DOCUMENT, DO NOT MEASURE DRAWING.</small>			