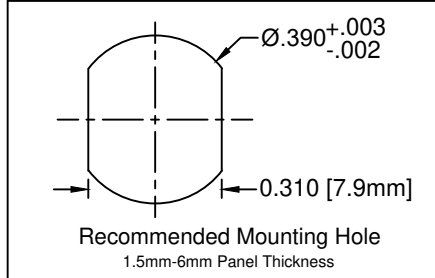
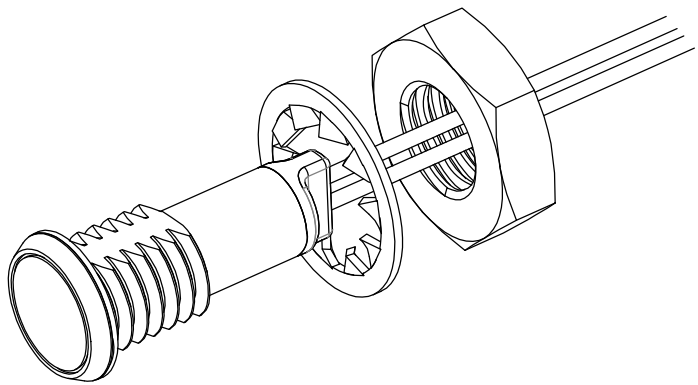
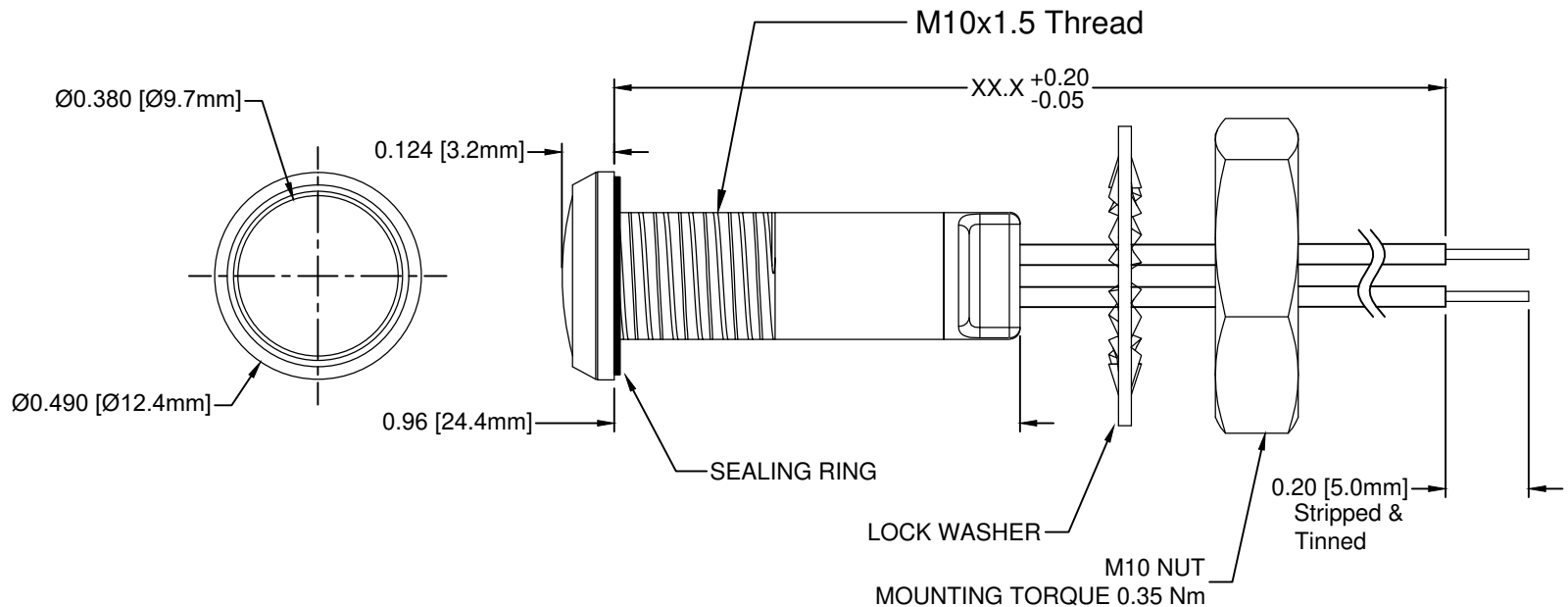


REV.	DESCRIPTION	DATE	APPROVED
A	Engineering Release	04/12/12	T. Y.
B	Updated Descriptions	03/21/13	T. Y.
C	Updated LED Optical Characteristics	09/15/15	J. C.
D	Updated per EOL Notice	06/19/20	A. V.



EXAMPLE:
PM5-PRDW6.5

- Series
- LED Color & Lens Appearance.
- Wire Length in 0.5" Increments

CUSTOMER USE DRAWING

- NOTES:**
1. SEALED TO IP67 RATING
 2. WIDE RANGE VOLTAGE INPUT, 8-48 VAC/VDC
 3. BI-POLAR OPERATION
 4. ROHS COMPLIANT
 5. MOUNTING HARDWARE SHIPPED NON-ASSEMBLED
 6. INSERT SEALING RING ON PANEL MOUNT PRIOR TO PANEL INSERTION

STANDARD TOLERANCE (UNLESS OTHERWISE SPECIFIED)		BIVAR® 4 THOMAS, IRVINE, CA. 92618 TEL: (949) 951-8808 FAX: (949) 951-3974			
DECIMALS	ANGULAR	TITLE: IP67 Rated Panel Mount Indicator w/ Wire			
.X ± .1	X° ± 1°				
.XX ± .02					
.XXX ± .010		DESIGNED: T. Yin	DATE: 04/12/12	PART NO: PM5-PXXXWXX.X	REVISION: D
		REVISOR: V. Chavez	DATE: 06/19/20	SHEET SIZE: A	CAGE CODE: 32559
		CHECKED: A. Valdez	DATE: 06/19/20	SCALE: N/A	SHEET # 1 OF 2
CAD GENERATED DOCUMENT, DO NOT MEASURE DRAWING					

REV.	DESCRIPTION	DATE	APPROVED
	SEE SHEET #1		

Assembly Part Number	LED Part Number	Peak Wave Length λ_p (nm)	Emitted Color	Lens Appearance	Electro-Optical Data @ 20mA		Viewing Angle
					Typ Vf (VAC/VDC)	LED Iv (mcd)	
					TYP	TYP	
PM5-PADWXX.X	5AD	605	AMBER	WHITE DIFFUSED	8-48	25	120
PM5-PHDWXX.X	5HD	625	HE RED	WHITE DIFFUSED	8-48	25	120
PM5-PRDWXX.X	5SRD	645	RED	WHITE DIFFUSED	8-48	40	120
PM5-PYDWXX.X	5SYD	590	YELLOW	WHITE DIFFUSED	8-48	300	120

CUSTOMER USE DRAWING

ABSOLUTE MAXIMUM RATINGS (Ta = 25°C)

MAXIMUM POWER DISSIPATION _____ 400 mW
 OPERATING TEMPERATURE RANGE _____ -30°C ~ 85°C
 STORAGE TEMPERATURE _____ -40°C ~ 85°C



CAGE CODE	32559	DRAWING NO: PM5-PXXXWXX.X	REVISION: D
SHEET SIZE	A	SCALE: N/A	SHEET # 2 OF 2
CAD GENERATED DOCUMENT. DO NOT MEASURE DRAWING			