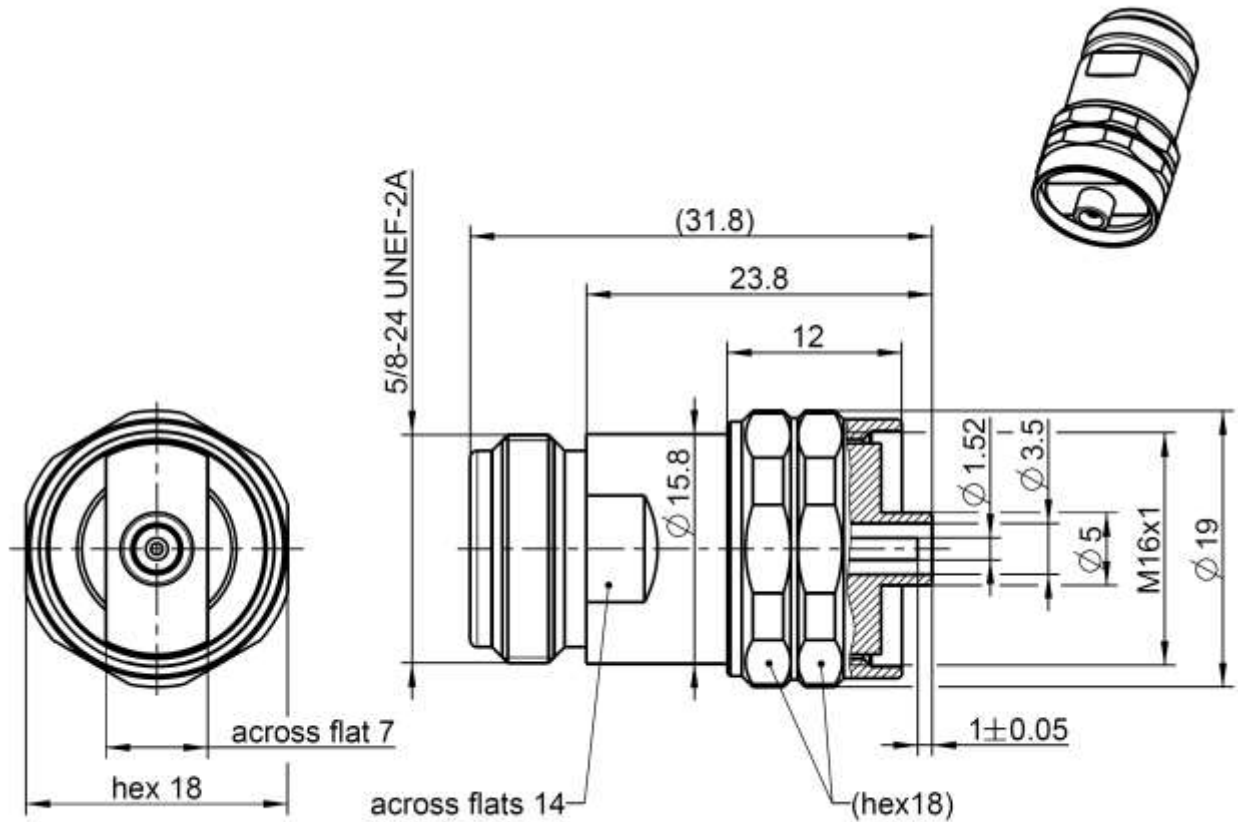


Technical Data Sheet

Rosenberger

Adaptor
RPC-N 50 Ω Jack – RPC-SL Plug

05K104-S0AS3



All dimensions are in mm; tolerances according to ISO 2768 m-H

Interface

RPC-N according to
RPC-SL

IEC 61169-16 ; CECC 22 210 ; MIL-STD 348A/402
Interchangeable port connector system

Documents

N/A

Material and plating

Connector parts

Center contact
Outer contact RPC-N
Outer contact RPC-SL
Coupling nut
Dielectric

Material

CuBe
Stainless steel
Stainless steel
Stainless steel
PPE

Plating

Gold, min. 1.27 µm, over chemical nickel
Passivated
Gold, 0.1 µm min.
Passivated

Dieses Dokument ist urheberrechtlich geschützt • This document is protected by copyright • Rosenberger Hochfrequenztechnik GmbH & Co. KG

RF_35/05.10/6.1

Technical Data Sheet

Rosenberger

Adaptor
RPC-N 50 Ω Jack – RPC-SL Plug

05K104-S0AS3

Electrical data

Impedance	50 Ω
Frequency	DC to 18 GHz
Return loss	≥ 21 dB, DC to 18 GHz
Insertion loss	$\leq 0.05 \times \sqrt{f(\text{GHz})}$ dB
Insulation resistance	≥ 5 G Ω
Center contact resistance RPC-N	≤ 1.0 m Ω
Outer contact resistance RPC-N	≤ 1.0 m Ω
Center contact resistance RPC-SL	≤ 3.0 m Ω
Outer contact resistance RPC-SL	≤ 2.0 m Ω
Test voltage	1000 V rms
Working voltage	335 V rms
RF-leakage	≥ 90 dB up to 1 GHz

Mechanical data

Mating cycles RPC-N	≥ 500
Mating cycles RPC-SL	≥ 3000
Center contact captivation	≥ 28 N
Coupling test torque RPC-N	1.70 Nm
Recommended torque RPC-N	0.70 Nm to 1.10 Nm
Recommended torque RPC-SL	2 Nm

Environmental data

Temperature range	-40°C to +85°C
Thermal shock	IEC 61169-1, Subclause 9.4.4
Corrosion	IEC 61169-1, Subclause 9.4.6
Vibration	IEC 61169-1, Subclause 9.3.3
Shock	IEC 61169-1, Subclause 9.3.14
Moisture resistance	IEC 61169-1, Subclause 9.4.3
RoHS	compliant

Tooling

N/A

Suitable cables

N/A

Packing

Standard	1 pce in box
Weight	33.7 g/pce

While the information has been carefully compiled to the best of our knowledge, nothing is intended as representation or warranty on our part and no statement herein shall be construed as recommendation to infringe existing patents. In the effort to improve our products, we reserve the right to make changes judged to be necessary.

Draft	Date	Approved	Date	Rev.	Engineering change number	Name	Date
Scherbauer M.	05.12.14	Andorfer S.	05.09.18	a00	18-s320	Plötz A.	04.09.18

Rosenberger Hochfrequenztechnik GmbH & Co. KG P.O.Box 1260 D-84526 Tittmoning Germany www.rosenberger.de	Tel. : +49 8684 18-0 Email : info@rosenberger.de	Page 2 / 2
--	--	---------------