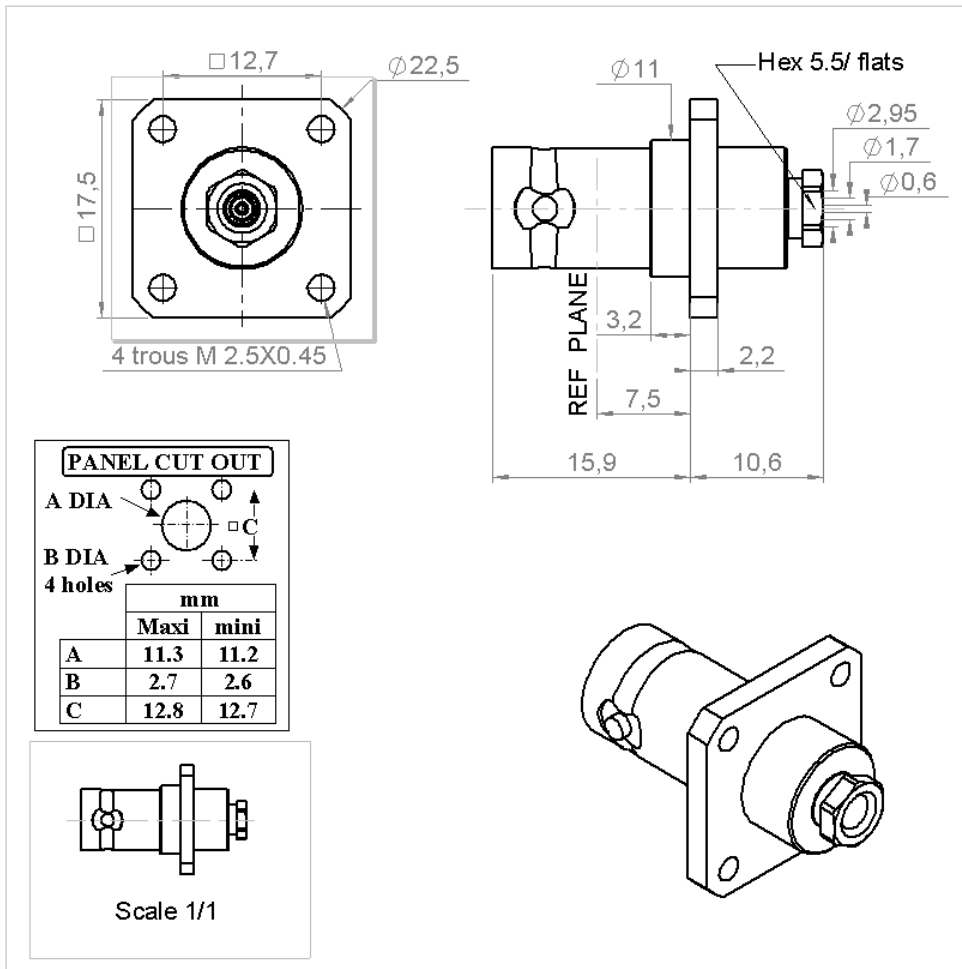


STRAIGHT SQUARE FLANGE JACK

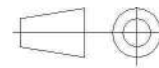
R142.202.000

CLAMP TYPE - CABLE 2.6/75 S

Series : **BNC 75**



All dimensions are in mm.



COMPONENTS	MATERIALS	PLATINGS (µm)
BODY	BRASS	NICKEL 2
CENTER CONTACT	BERYLLIUM COPPER	GOLD 0.5 OVER NICKEL 2
OUTER CONTACT	-	-
INSULATOR	PTFE	-
GASKET	-	-
OTHERS PARTS	BRASS	NICKEL 2
-	-	-
-	-	-

Issue : 0326 K

In the effort to improve our products, we reserve the right to make changes judged to be necessary.



STRAIGHT SQUARE FLANGE JACK

R142.202.000

CLAMP TYPE - CABLE 2.6/75 S

Series : **BNC 75**

PACKAGING

Standard	Unit	Other
1	-	Contact us

SPECIFICATION

QAE 06-02 - -

ELECTRICAL CHARACTERISTICS

Impedance		75 Ω
Frequency		0-1.5 GHz
VSWR	1.30 +	0,0000 x F(GHz) Maxi
Insertion loss		0.115 √F(GHz) dB Maxi
RF leakage	- (57 - F(GHz)) dB Maxi
Voltage rating		335 Veff Maxi
Dielectric withstanding voltage		1000 Veff mini
Insulation resistance		5000 MΩ mini

CABLE ASSEMBLY

Stripping	a	b	c	d	e	f
mm	3,50	1,00	8,00	2,00	4,50	0,00

Assembly instruction : **Clamp 01**

Recommended cable(s)
RG 179
RG 187

Characteristics indicated on this data sheet are those that can be achieved with the highest performance cable. Intrinsic limitations of the cable may diminish the performance of the assembly

Cable retention

- pull off **40** N mini
- torque **NA** N.cm

MECHANICAL CHARACTERISTICS

Center contact retention		
Axial force – Mating end	27	N mini
Axial force – Opposite end	27	N mini
Torque	NA	N.cm mini

TOOLING

Part Number	Description	Hexagon
.	.	.

Recommended torque		
Mating	NA	N.cm
Panel nut	NA	N.cm
Clamp nut	40	N.cm
A/F clamp nut	5,5000	mm

OTHERS CHARACTERISTICS

Mating life	500	Cycles mini
Weight	0,0000	g

ENVIRONMENTAL

Operating temperature	-65/+165	°C
Hermetic seal	NA	Atm.cm3/s
Panel leakage	NA	

Issue : **0326 K**

In the effort to improve our products, we reserve the right to make changes judged to be necessary.



RADIALL®