

## Specifications

Electrical Ratings	50mA @ 50VDC	Dielectric Strength	250Vrms min
Electrical Life	100,000 cycles typical	Insulation Resistance	>100MΩ min
Contact Resistance	<50mΩ initial	Operating Temperature	-40°C to 85°C
Actuation Force	160 ± 50gF 260 ± 50gF	Storage Temperature	-40°C to 85°C
Actuation Travel	.25 ± .1mm		

## Materials

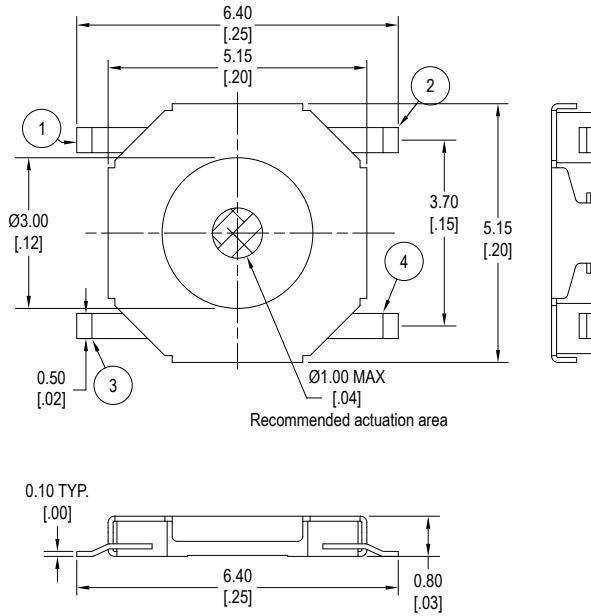
Actuator	Brass
Housing	LCP
Cover	Stainless Steel
Contacts	Stainless Steel, Silver Plated
Terminals	Phosphor Bronze, Silver Plated

## Ordering Information

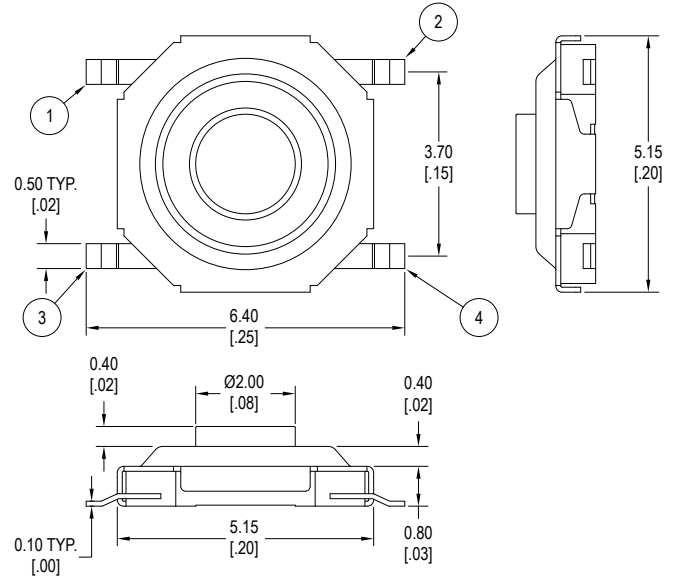
1. Series	CS1214	J	F160
CS1214			
2. Actuation Option	Blank = Flat Actuator A = Extended Actuator		
3. Terminal Option	G = Gull Wing J = J Lead		
4. Actuation Force	F160 = 160gF F260 = 260gF		

**Dimensions**

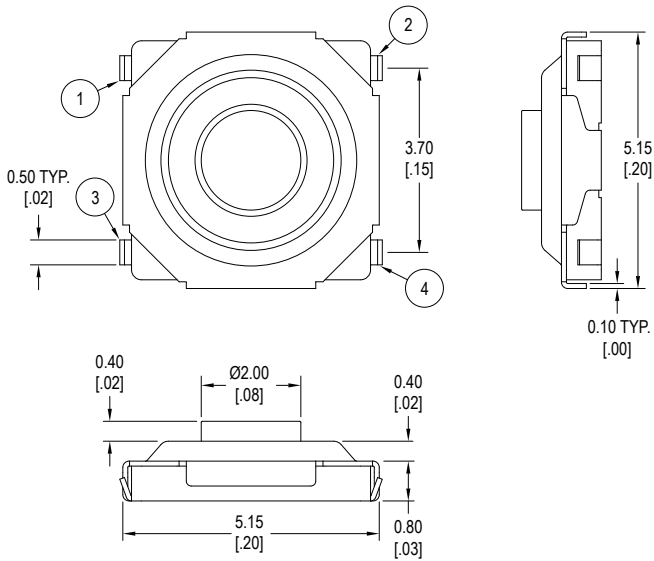
CS1214G



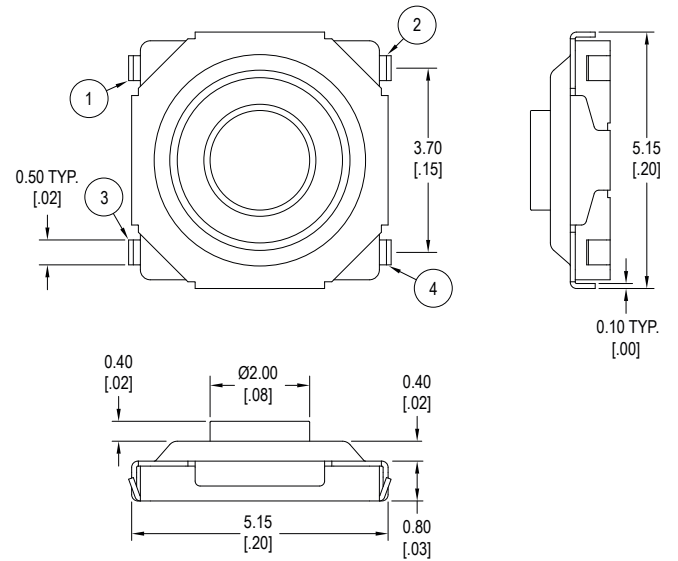
CS1214AG



CS1214J



CS1214AJ



**Schematic & PC Layout**

