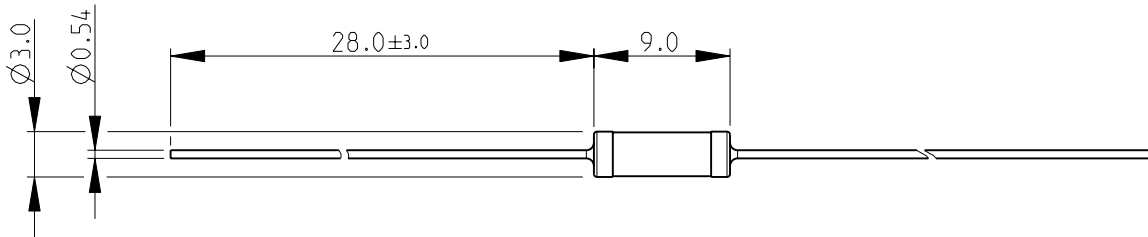
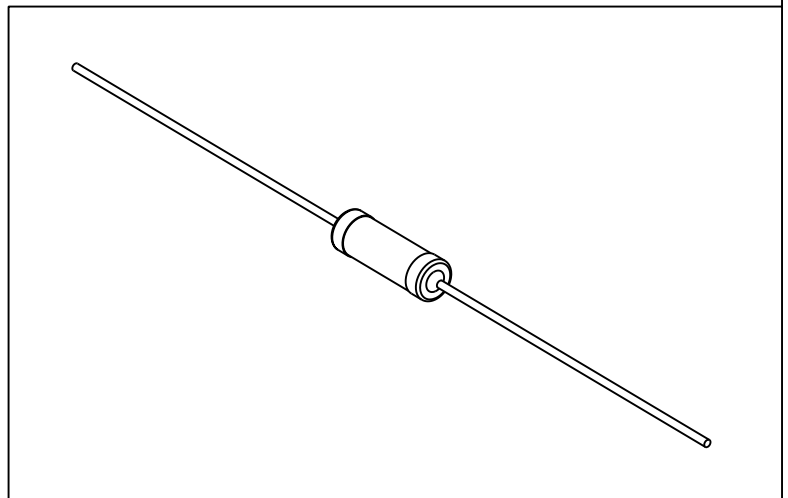


LOC	DIST	REVISIONS			
P	LTR	DESCRIPTION	DATE	DWN	APVD
E	B	BA1	REVISED PER ECO-11-005150	29MAR2011	RK HMR

FOR FURTHER INFORMATION SEE DATA SHEET FOR
CFR SERIES-CARBON FILM FIXED RESISTORS



RoHS Compliant




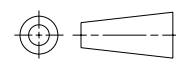
2008

RELEASED FOR PUBLICATION

ALL RIGHTS RESERVED.

THIS DRAWING IS UNPUBLISHED.

BY -
© COPYRIGHT 2008

DIMENSIONS: mm	DWN	20-Sep-08	MATERIAL	-	FINISH	-					
	SUBHASH.M	20-Sep-08	 TE Connectivity								
TOLERANCES UNLESS OTHERWISE SPECIFIED:	CHK	20-Sep-08									
	PRAKASH.S	20-Sep-08									
0 PLC ±0.2 1 PLC ±0.1 2 PLC ±- 3 PLC ±- 4 PLC ±- ANGLES ±5°	APVD	20-Sep-08	NAME CARBON FILM FIXED RESISTORS SERIES CFR50								
	STEPHEN.P	20-Sep-08									
	PRODUCT SPEC	-	SIZE	A 4	CAGE CODE	00779	DRAWING NO	©- 1623932	RESTRICTED TO	-	
	APPLICATION SPEC	-	WEIGHT	-	CUSTOMER DRAWING		SCALE	2:1	SHEET	1 OF 1	REV