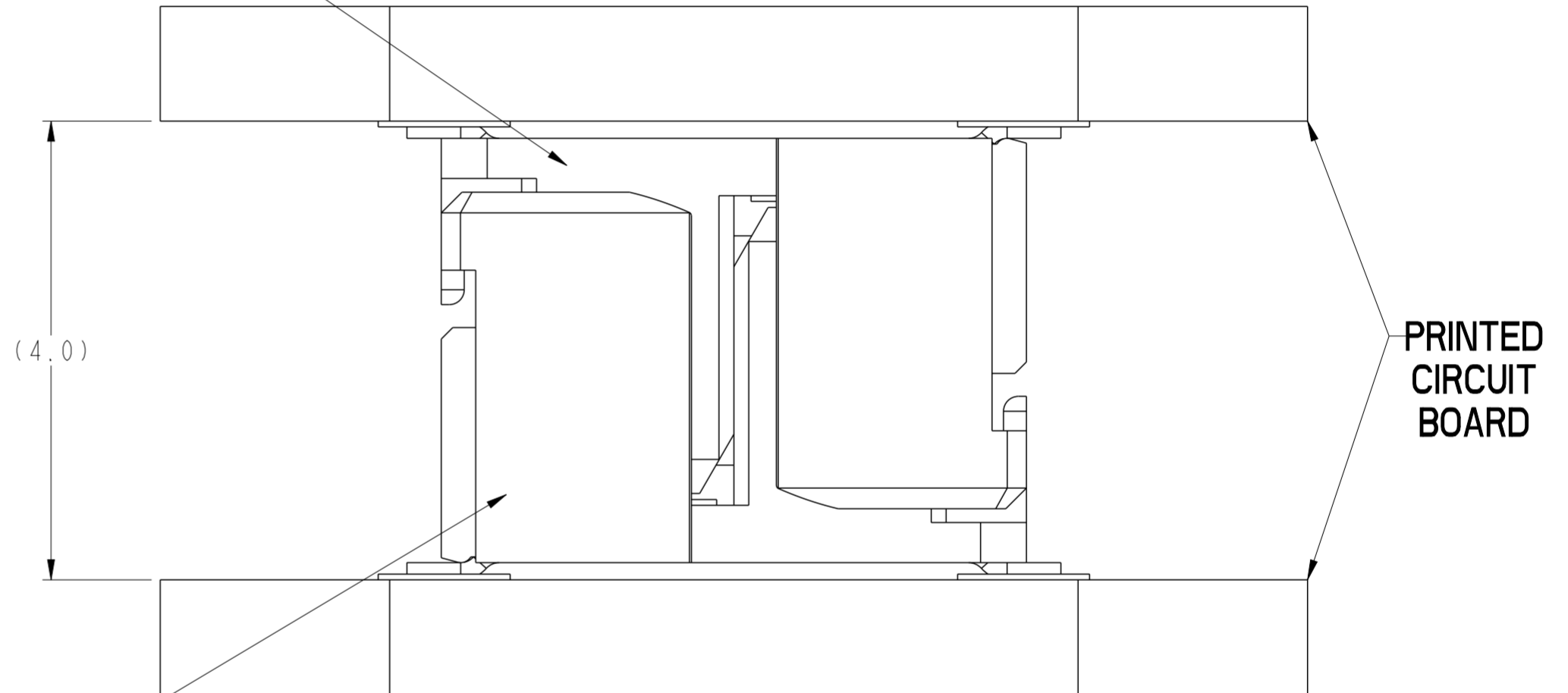
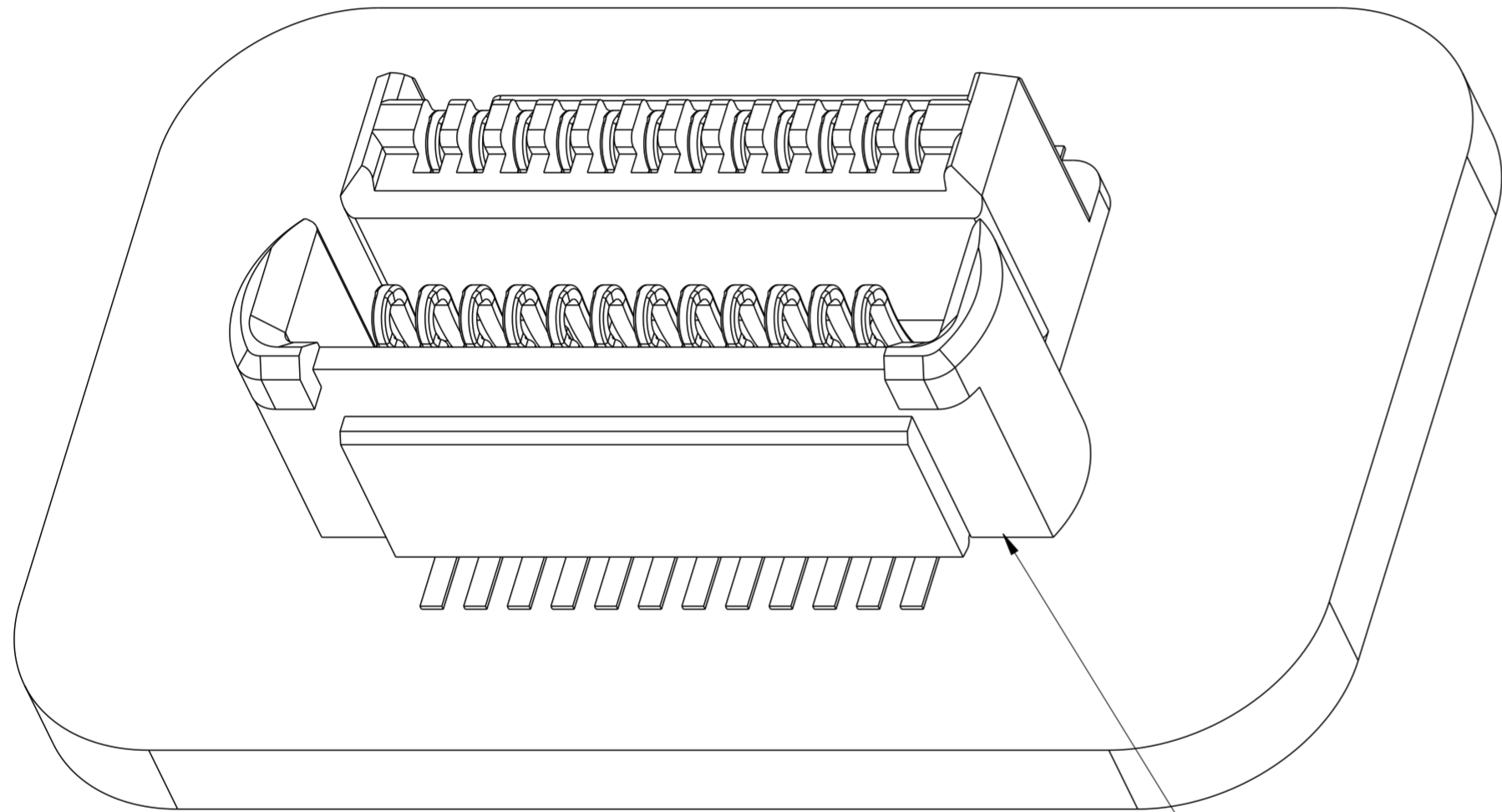
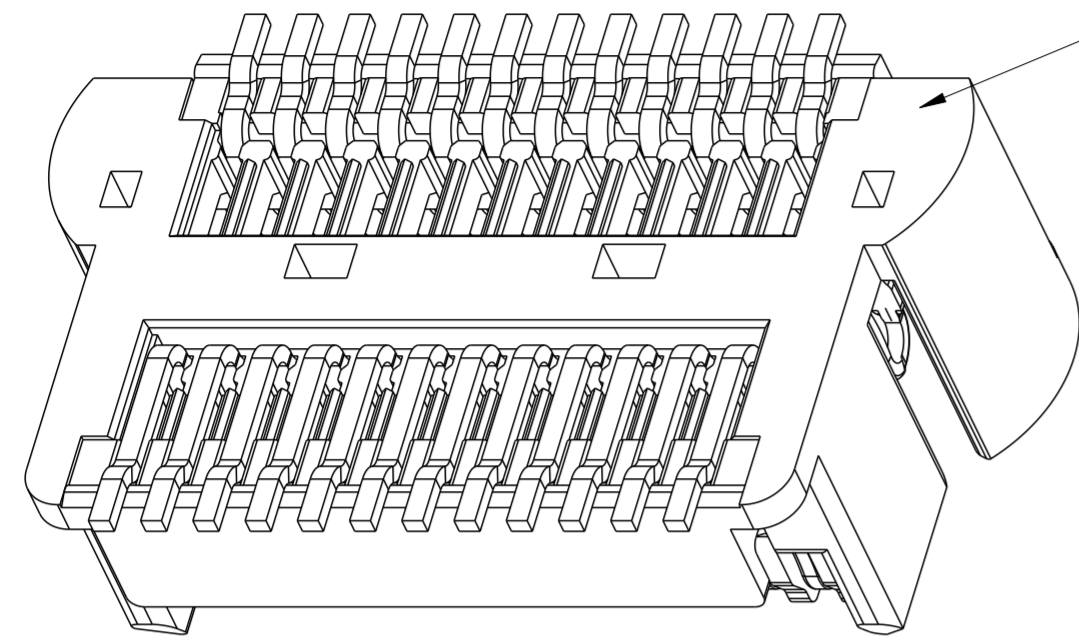


PRODUCT NUMBER

10115130-001LF

10115130-001LF
HERMAPHRODITIC CONNECTOR
ASSEMBLY



10115130-001LF
HERMAPHRODITIC CONNECTOR
ASSEMBLY

PRINTED
CIRCUIT
BOARD



Copyright FCI.

spec ref	---	dr	Stu Stoner	2011/03/09	projection	mm	size	A2	scale	11:1		
tolerance std	ASME Y14.5	eng	Sandar Soe	2016/01/28		mm	ecn no	ELX-DG-23104-1	rel level	Released		
TOLERANCES UNLESS OTHERWISE SPECIFIED		chr	-	app							Pei-Ming Zheng	2016/02/04
surface	✓	linear	0.X	±0.3		title HERMAPHRODITIC CONNECTOR, SPECIAL 24 POS, 0.5MM CTR, 4MM STACK HT	dwg no 10115130	rev G	Product - Customer Drw			
		linear	0.XX	±0.10					www.fci.com	cat. no.	-	sheet 1 of 9
		angular	0°	±2°								

PDS: Rev :G

STATUS:Released

Printed: Feb 05, 2016

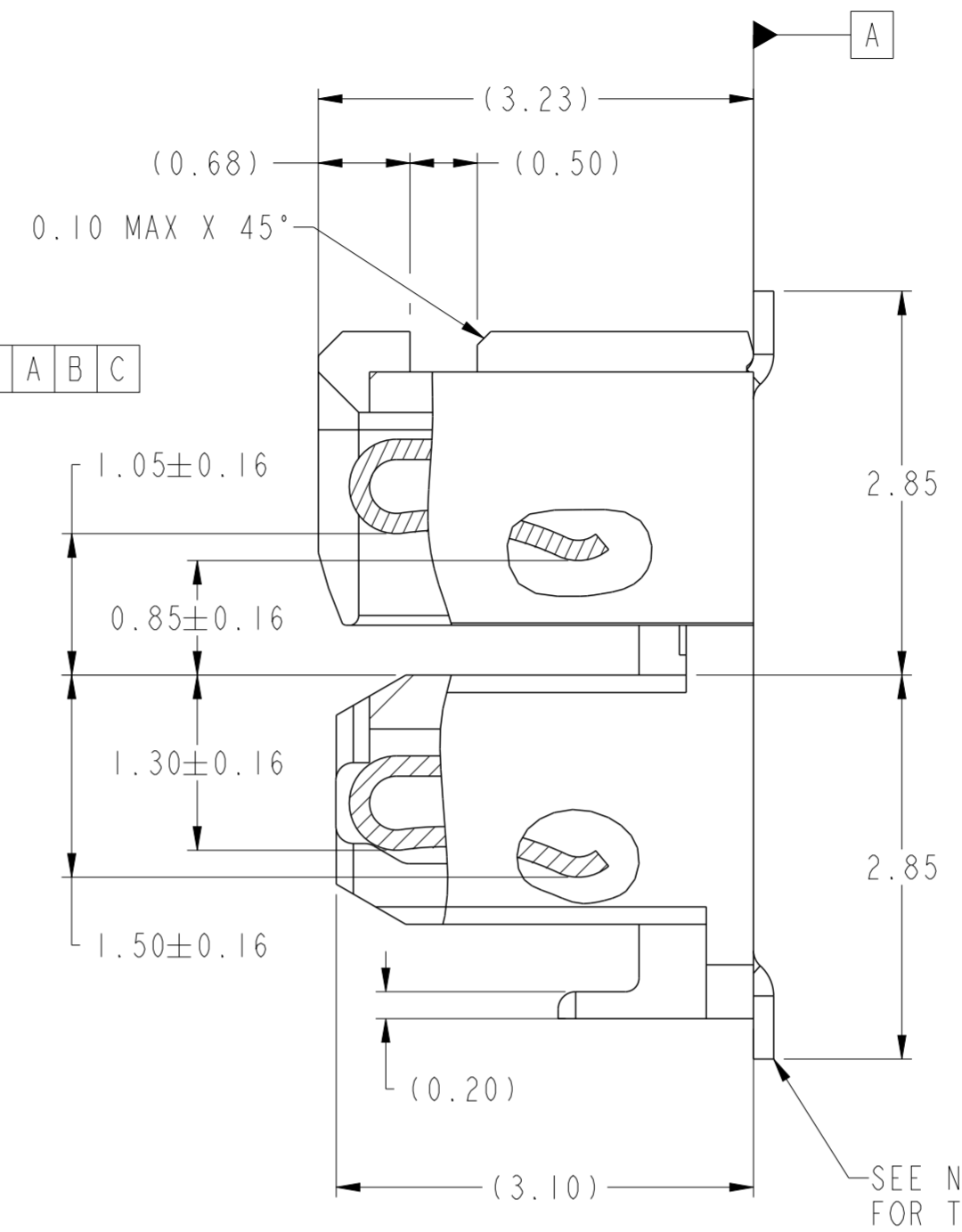
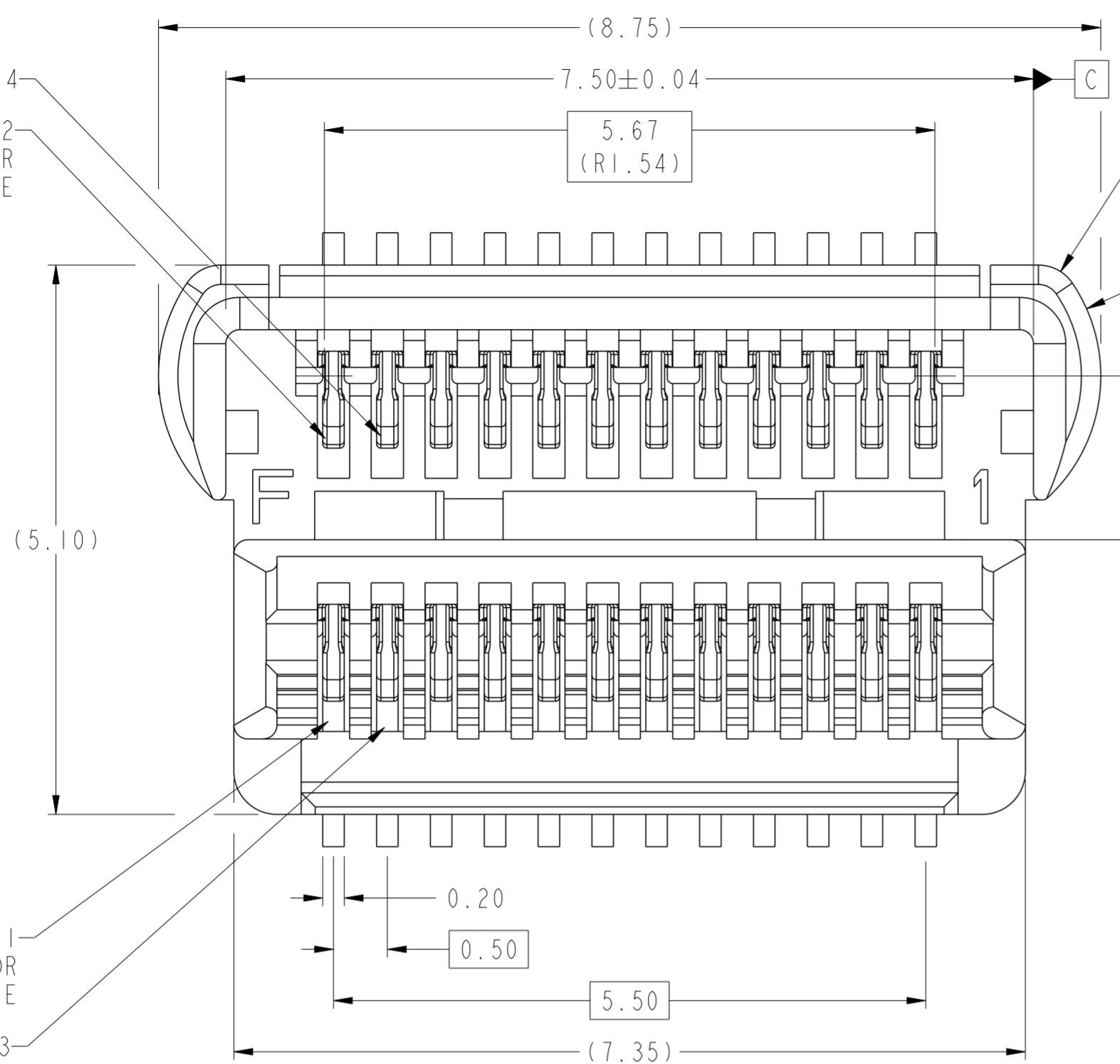
PRODUCT NUMBER
10115130-001LF

HERMAPHRODITIC CONNECTOR MATING

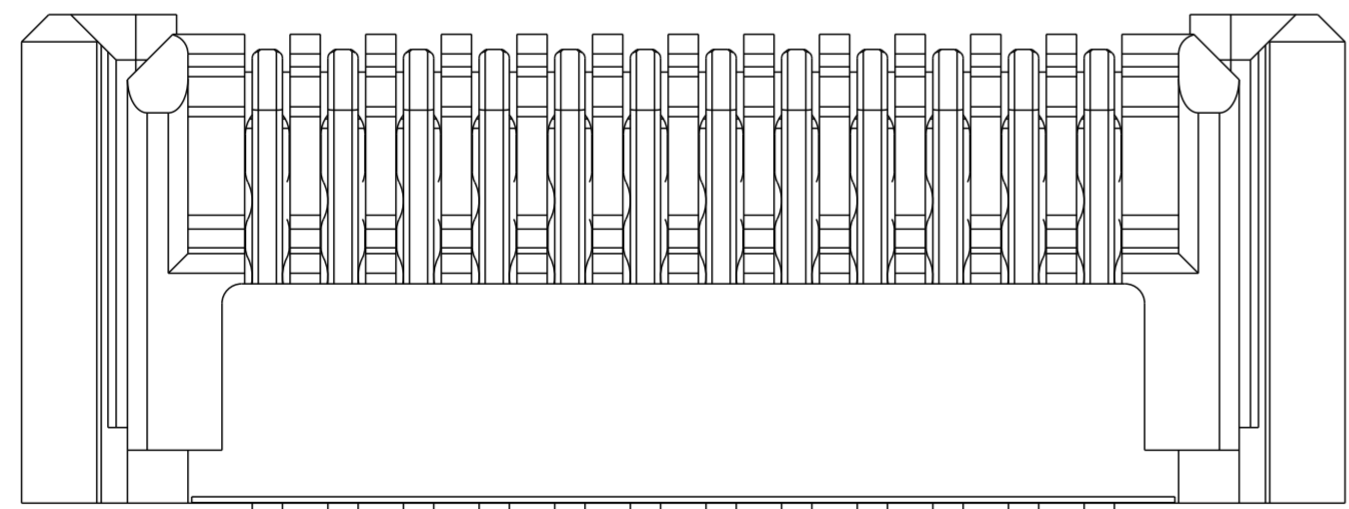
CONNECTOR POSITION	MATES WITH CONNECTOR POSITION
1	2
3	4
5	6
7	8
9	10
11	12
13	14
15	16
17	18
19	20
21	22
23	24

POSITION 4
POSITION 2
SEE CONNECTOR MATING TABLE

POSITION 1
POSITION 3
SEE CONNECTOR MATING TABLE



SEE NOTE 8 FOR TOE HEIGHT LIMITS



10115130-001LF SHOWN WITHOUT STANDARD PICK-UP CAP

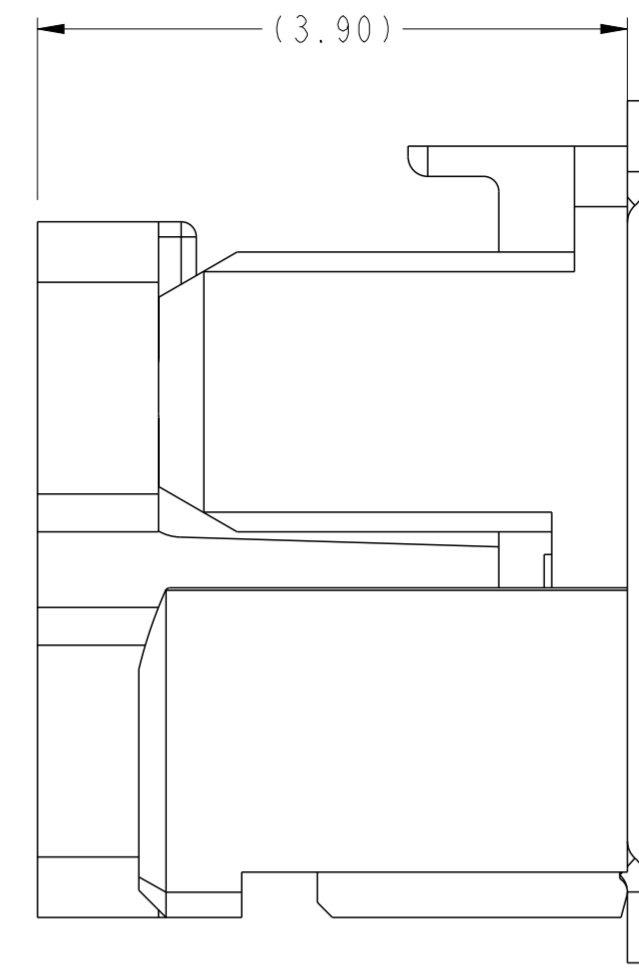
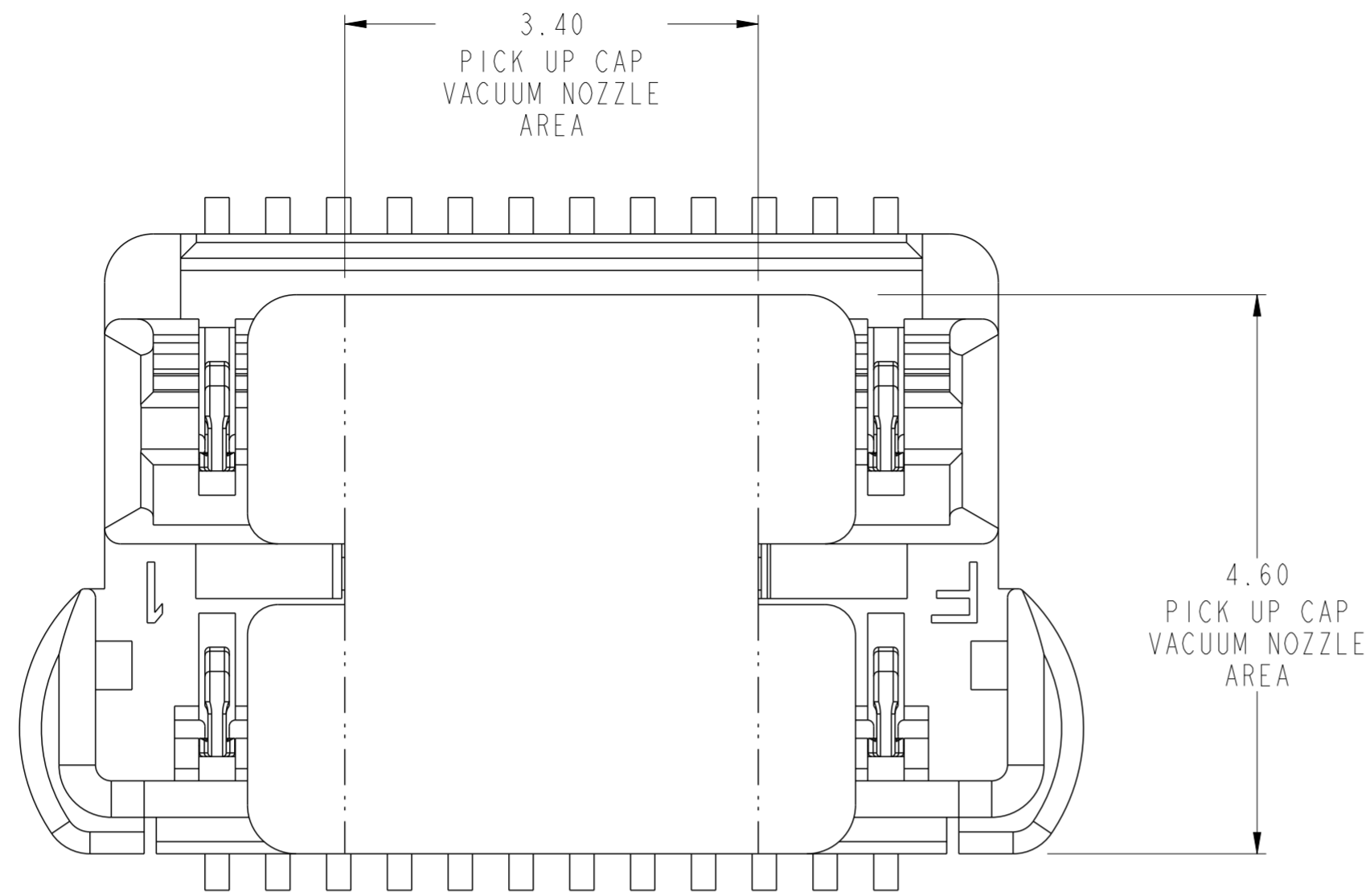
Copyright FCI. FCI

spec ref	---	dr	Stu Stoner	2011/03/09	projection	mm	size	A2	scale	20:1	
tolerance std	ASME Y14.5	eng	Sandar Soe	2016/01/28		mm	ecn no	ELX-DG-23104-1	rel level	Released	
TOLERANCES UNLESS OTHERWISE SPECIFIED		chr	-	appr							Pei-Ming Zheng
surface	✓	linear	0.X	±0.3		title HERMAPHRODITIC CONNECTOR, SPECIAL 24 POS, 0.5MM CTR, 4MM STACK HT	dwg no 10115130	rev G	Product - Customer Drw		
		angular	0°	±2°					cat. no.	Product - Customer Drw	sheet 2 of 9
									www.fci.com		

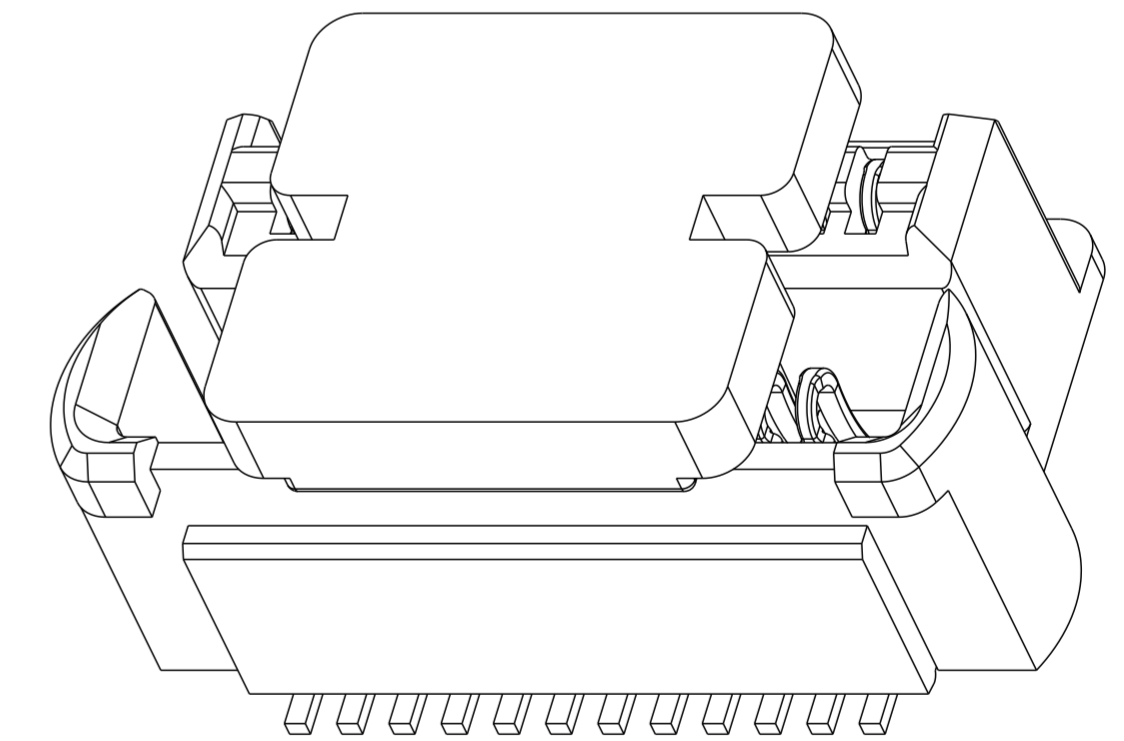
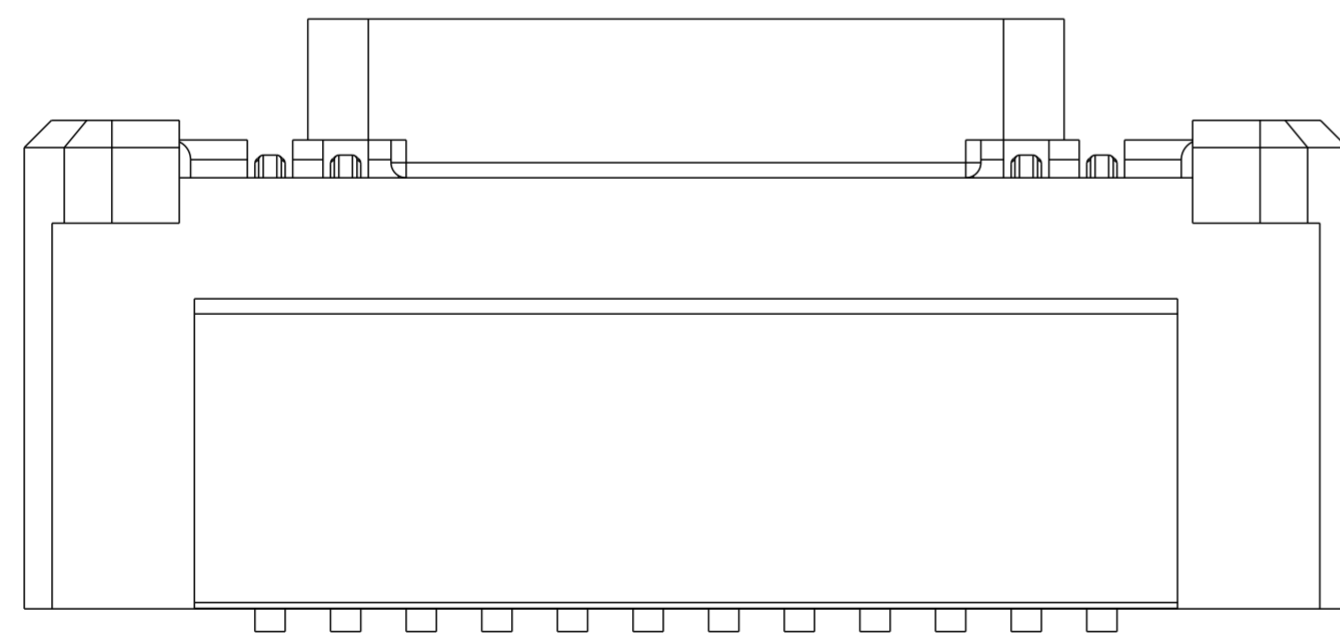
PDS: Rev :G

STATUS:Released

Printed: Feb 05, 2016



10115130-001LF SHOWN
WITH STANDARD PICK-UP CAP



spec ref	---	dr	Stu Stoner	2011/03/09	projection	mm	size	A2	scale	20:1	
tolerance std	ASME Y14.5	eng	Sandar Soe	2016/01/28		mm	ecn no	ELX-DG-23104-1			
TOLERANCES UNLESS OTHERWISE SPECIFIED		chr	-	appr			Pei-Ming Zheng	2016/02/04	product family	MezzoStack	
surface	✓	linear	0.X	±0.3		title HERMAPHRODITIC CONNECTOR, SPECIAL 24 POS, 0.5MM CTR, 4MM STACK HT	rel level	Released			
			0.XX	±0.10			cat. no.	-	Product - Customer Drw	sheet 3 of 9	
		angular	0°	±2°			www.fci.com				

PDS: Rev :G

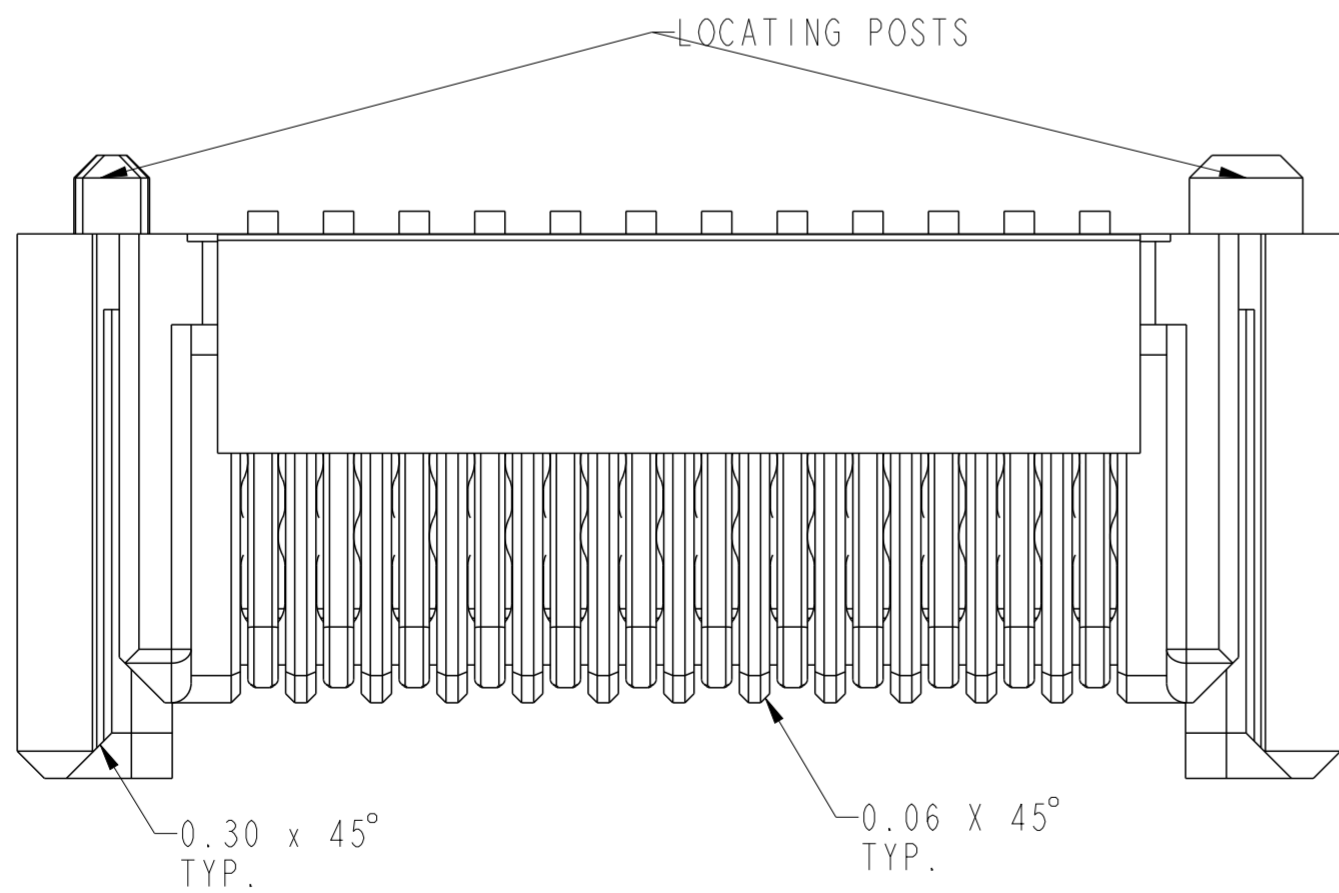
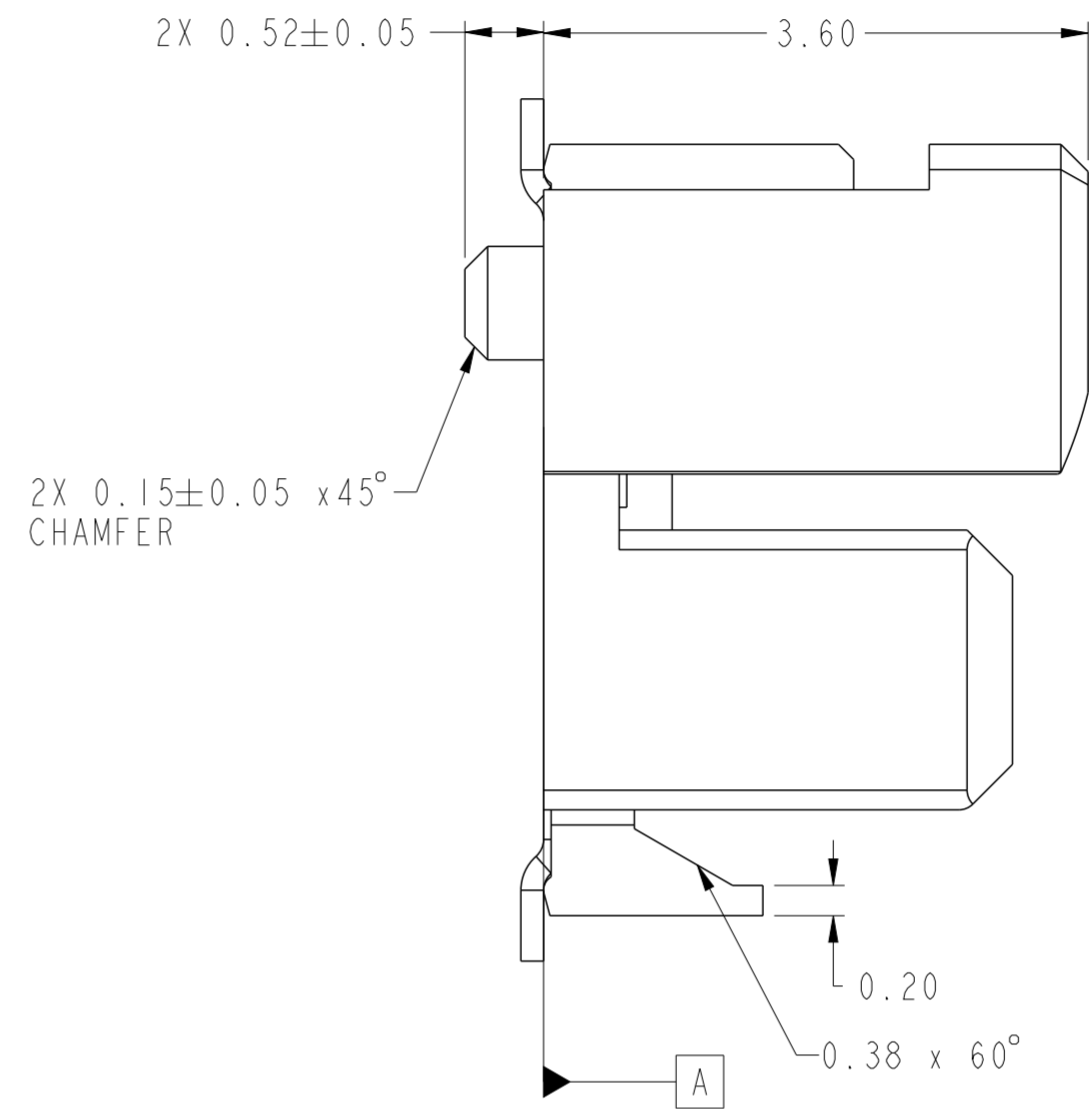
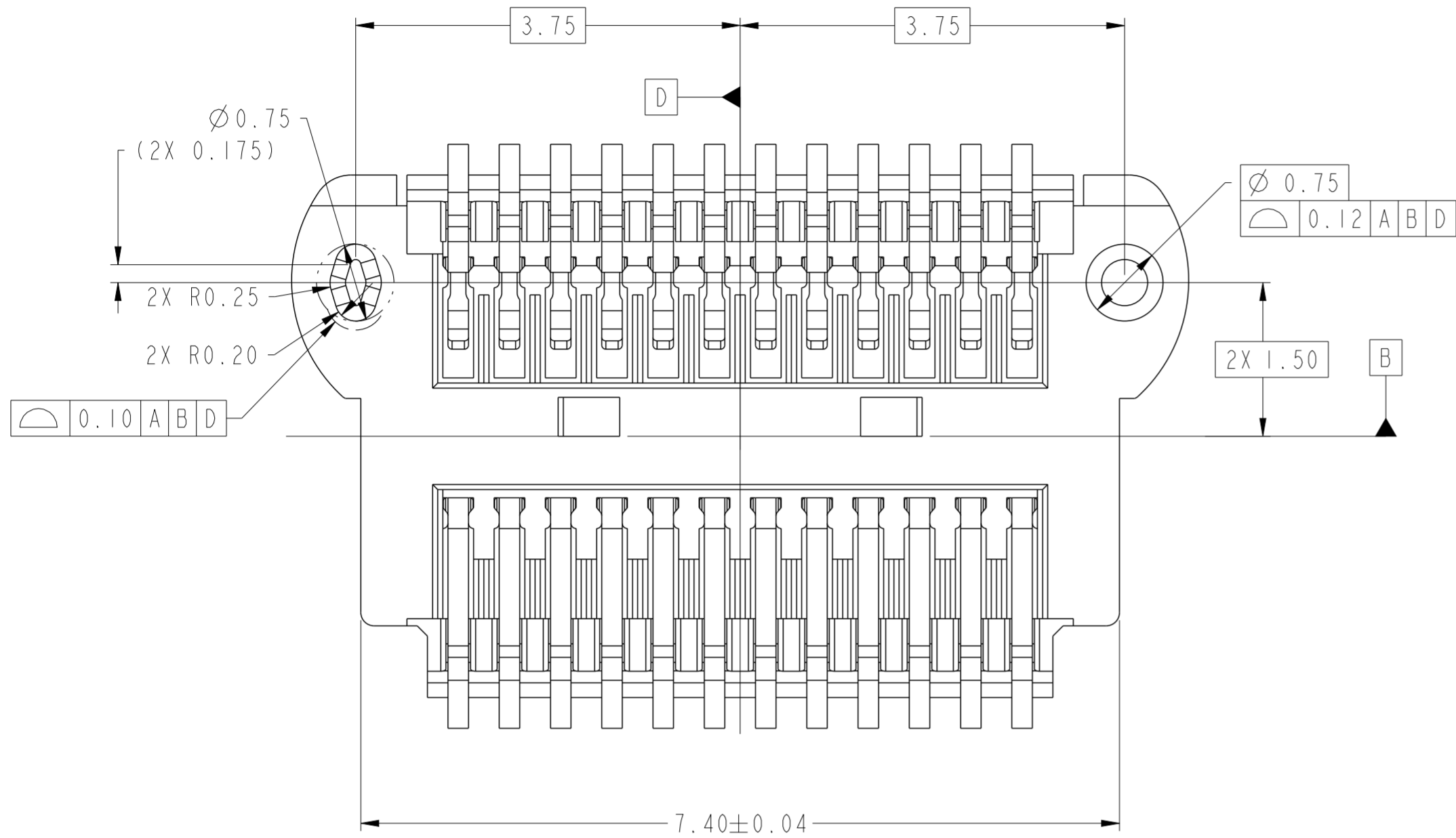
STATUS:Released

Printed: Feb 05, 2016



Copyright FCI.

PRODUCT NUMBER	LOCATING POSTS OPTION
10115130-003LF	WITH LOCATING POSTS
10115130-004LF	WITHOUT LOCATING POSTS

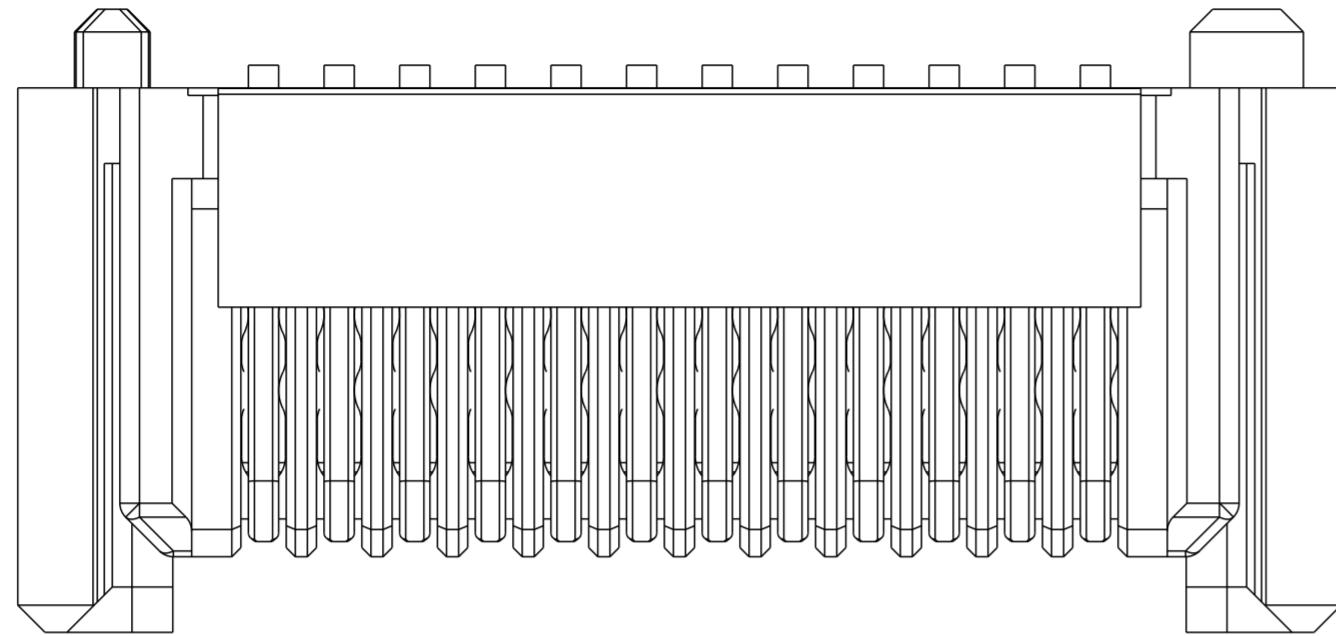


10115130-003LF DIMENSIONS ARE SHOWN
THE OTHER DIMENSIONS ARE THE SAME AS DIMENSIONS OF 10115130-001LF

10115130-004LF IS SAME AS 10115130-003LF EXCEPT WITHOUT LOCATING POSTS

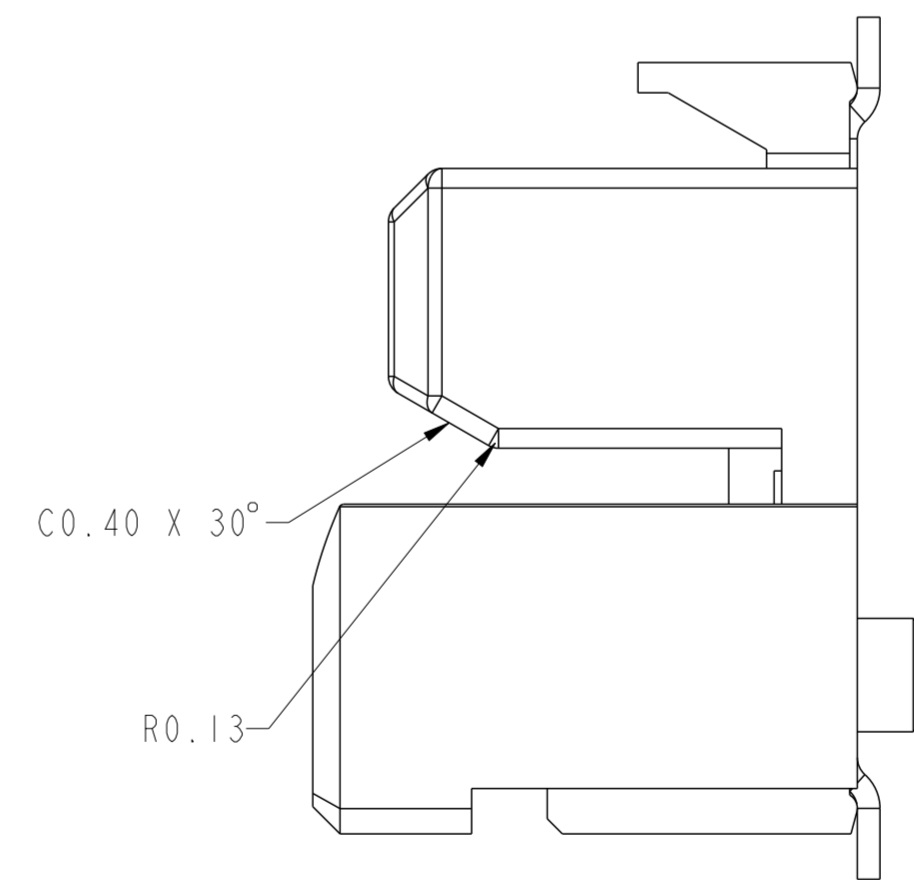
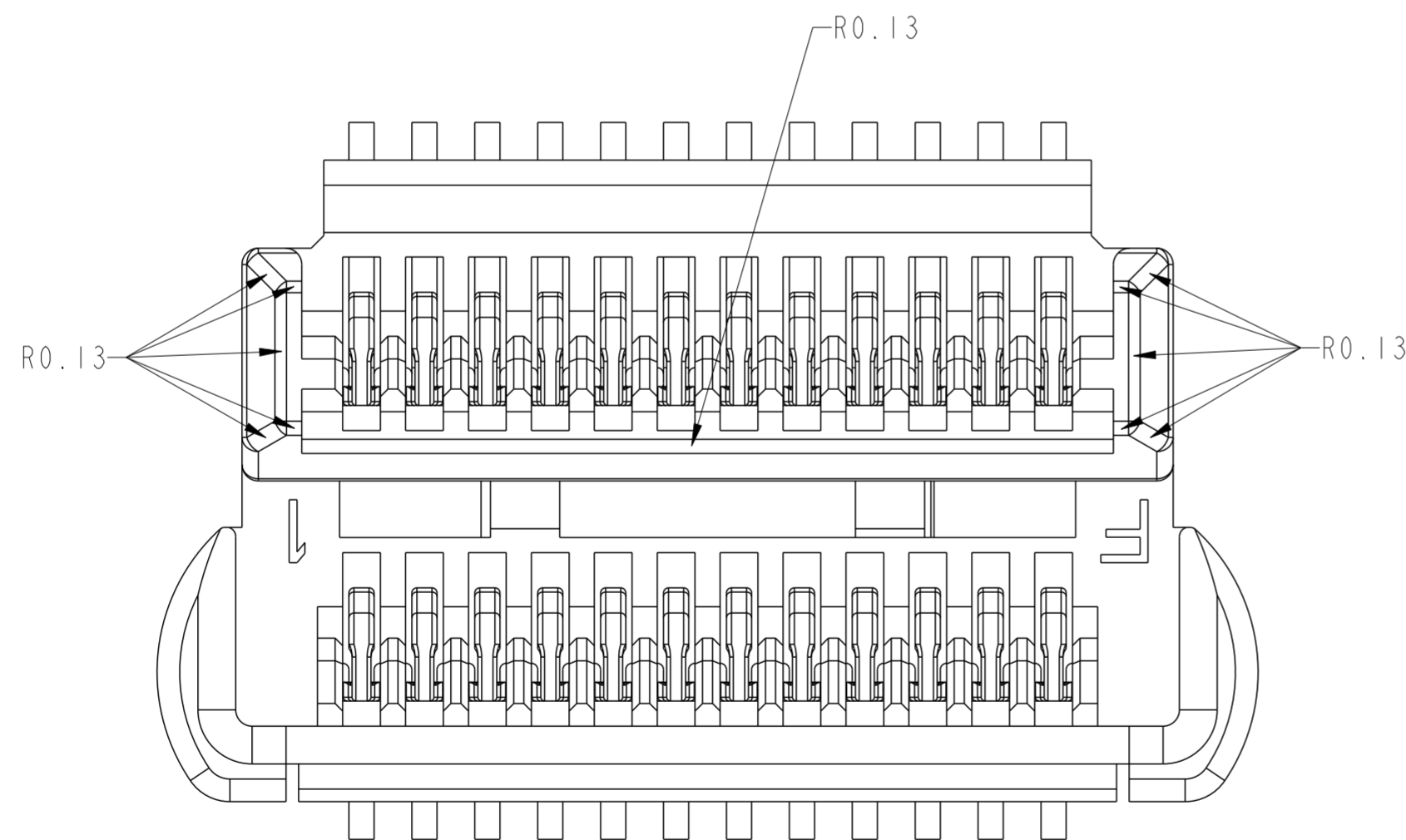
spec ref	---	dr	Stu Stoner	2011/03/09	projection	mm	size	A2	scale	20:1	
tolerance std	ASME Y14.5	eng	Sandar Soe	2016/01/28		mm	ecn no	ELX-DG-23104-1	rel level	Released	
TOLERANCES UNLESS OTHERWISE SPECIFIED		chr	-	appr							Pei-Ming Zheng
surface	✓	linear	0.X	±0.3		title HERMAPHRODITIC CONNECTOR, SPECIAL 24 POS, 0.5MM CTR, 4MM STACK HT	dwg no 10115130	rev G	Product - Customer Drw		
		angular	0°	±2°					cat. no.	-	sheet 4 of 9
									www.fci.com		

PRODUCT NUMBER	LOCATING POSTS OPTION	ROUND FILLET ON HOUSING GUIDING FEATURE
10115130-005LF	WITH LOCATING POSTS	WITH
10115130-005MLF 		
10115130-006LF	WITHOUT LOCATING POSTS	WITH
10115130-006MLF 		





10115130-005LF/-005MLF DIMENSIONS ARE SAME AS DIMENSIONS OF 10115130-003LF EXCEPT BELOW DIMENSIONS SHOWN

10115130-006LF/-006MLF DIMENSIONS ARE SAME AS DIMENSIONS OF 10115130-004LF EXCEPT BELOW DIMENSIONS SHOWN



10115130-005LF/-005MLF SHOWN WITHOUT PICK-UP CAP

spec ref	---	dr	Stu Stoner	2011/03/09	projection	mm	size	A2	scale	20:1			
tolerance std	---	eng	Sandar Soe	2016/01/28		mm	ecn no	ELX-DG-23104-1	rel level	Released			
---	TOLERANCES UNLESS OTHERWISE SPECIFIED	chr	-	appr							Pei-Ming Zheng	2016/02/04	product family
surface	✓	linear	0.X	±0.3		title	HERMAPHRODITIC CONNECTOR, SPECIAL	divg no	10115130	rev			
ASME Y14.5	0.XX	±0.10	www.fci.com	cat. no.							-	Product - Customer Drw	sheet 5 of 9
	0.XXX	±0.05											

PDS: Rev :G

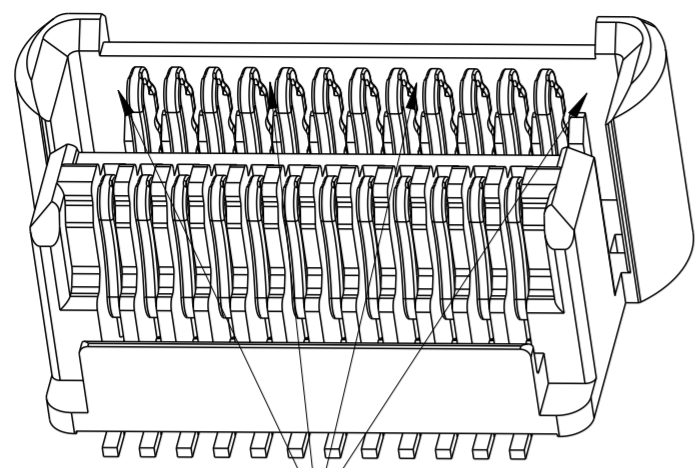
STATUS:Released

Printed: Feb 05, 2016

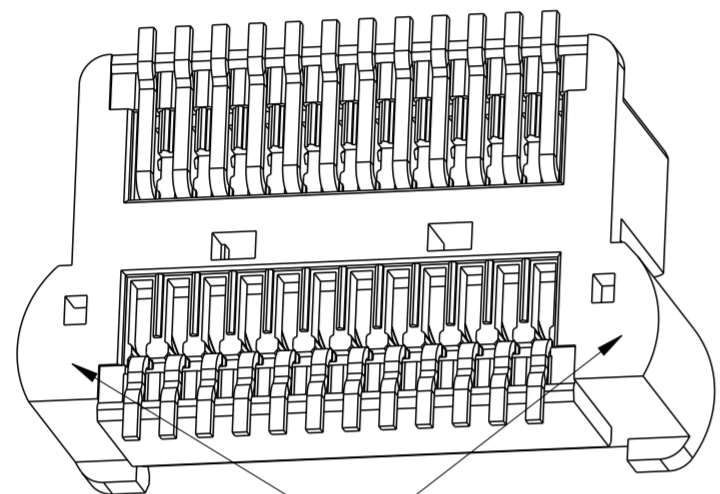


Copyright FCI.

10115130-001LF

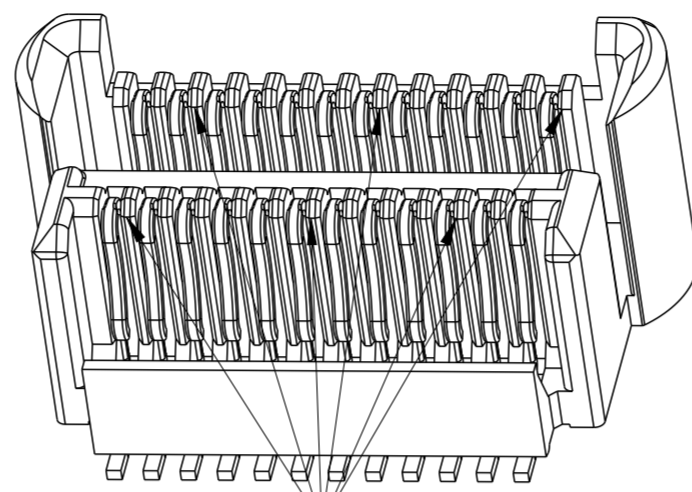


WITHOUT RIBS ON THIS WALL

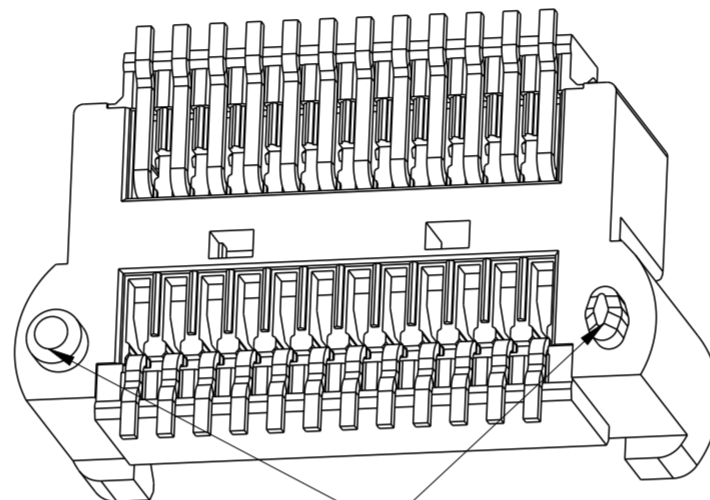


WITHOUT LOCATING POSTS

10115130-003LF

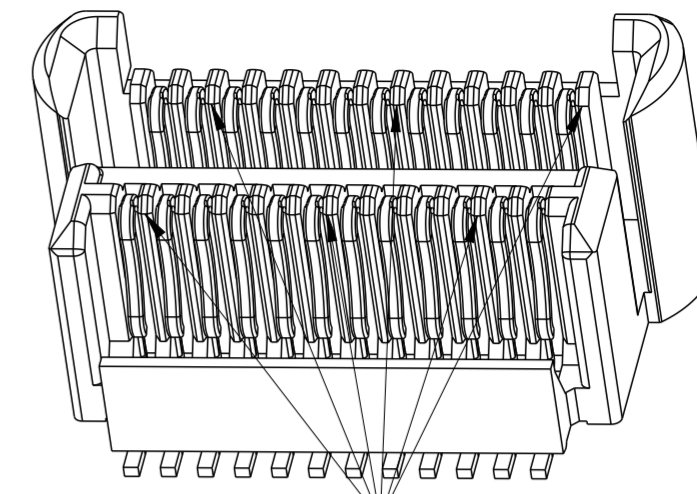


WITH DUAL ROW RIBS

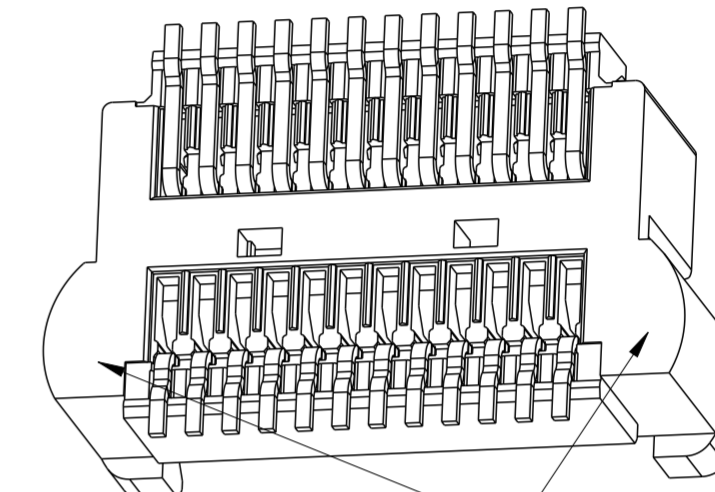


WITH LOCATING POSTS

10115130-004LF



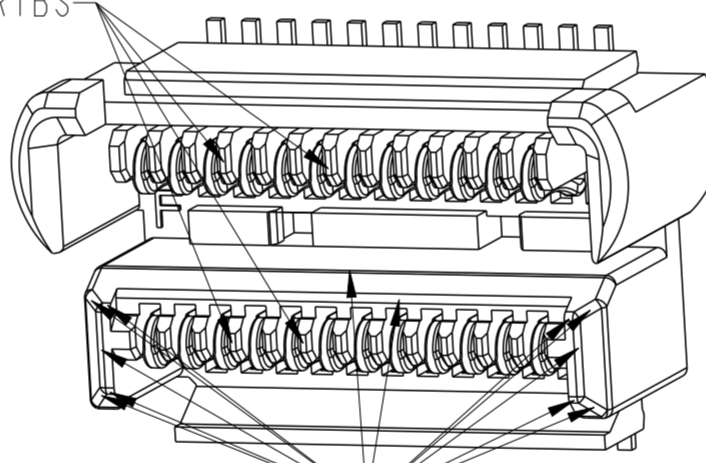
WITH DUAL ROW RIBS



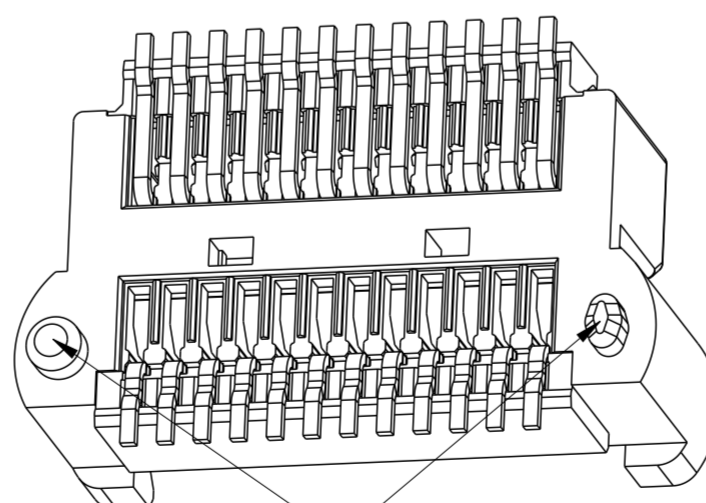
WITHOUT LOCATING POSTS

10115130-005LF / -005MLF G

WITH DUAL ROW RIBS



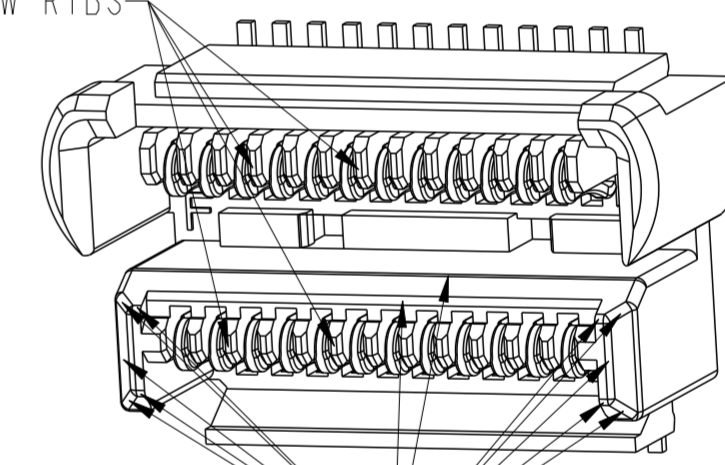
ROUND FILLET FEATURE



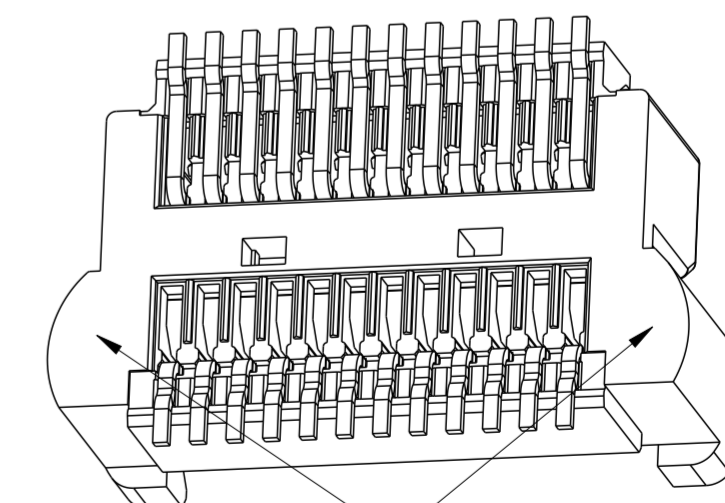
WITH LOCATING POSTS

10115130-006LF / -006MLF G

WITH DUAL ROW RIBS



ROUND FILLET FEATURE

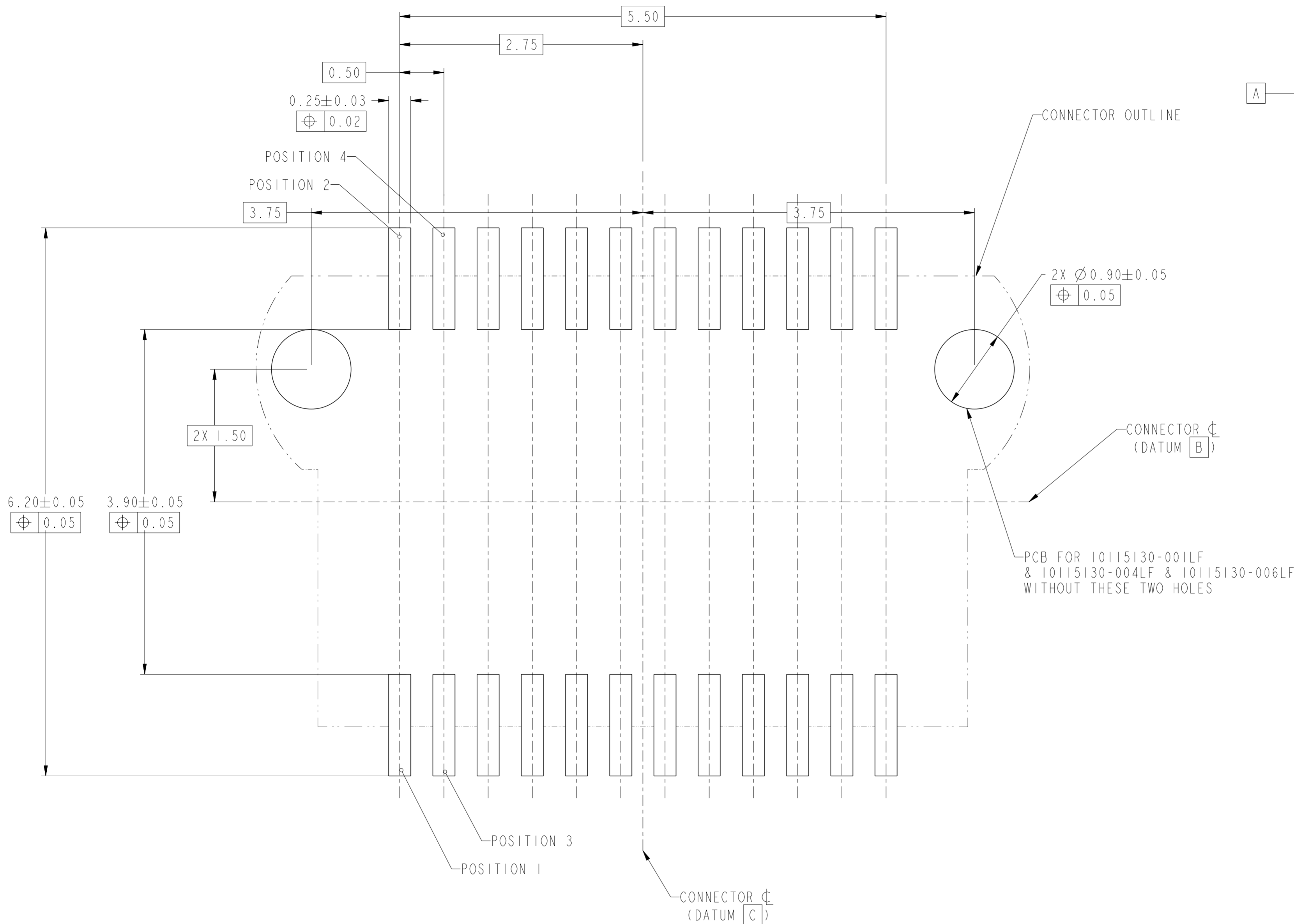


WITHOUT LOCATING POSTS

spec ref	---	dr	Stu Stoner	2011/03/09	projection	mm	size	A2	scale	1:1
tolerance std	ASME Y14.5	eng	Sandar Soe	2016/01/28		mm	ecn no	ELX-DG-23104-1	rel level	Released
TOLERANCES UNLESS OTHERWISE SPECIFIED		chr	-	appr						
surface	<input checked="" type="checkbox"/> linear <input type="checkbox"/> angular	0.X	±0.3		title HERMAPHRODITIC CONNECTOR, SPECIAL 24 POS, 0.5MM CTR, 4MM STACK HT	cat. no. -	Product - Customer Drw	sheet 6 of 9	rev G	
		0.XX	±0.10							
		0.XXX	±0.05							
ASME Y14.5	angular	0°	±2°	www.fci.com	cat. no.	-	Product - Customer Drw	sheet 6 of 9	rev	G



Copyright FCI.

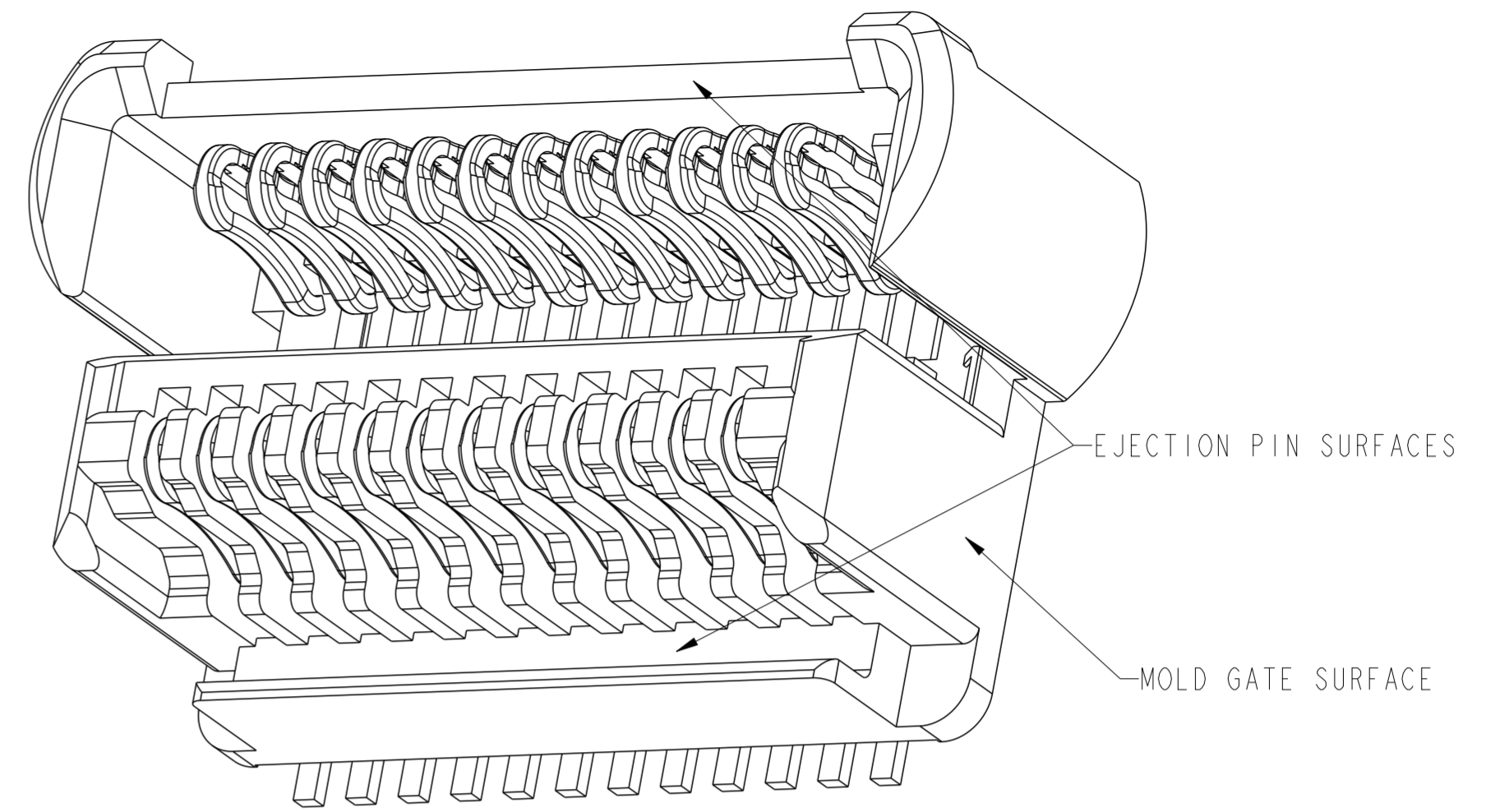


RECOMMENDED PCB LAYOUT
SEE NOTE 9 FOR STENCIL CREATION GUIDELINES

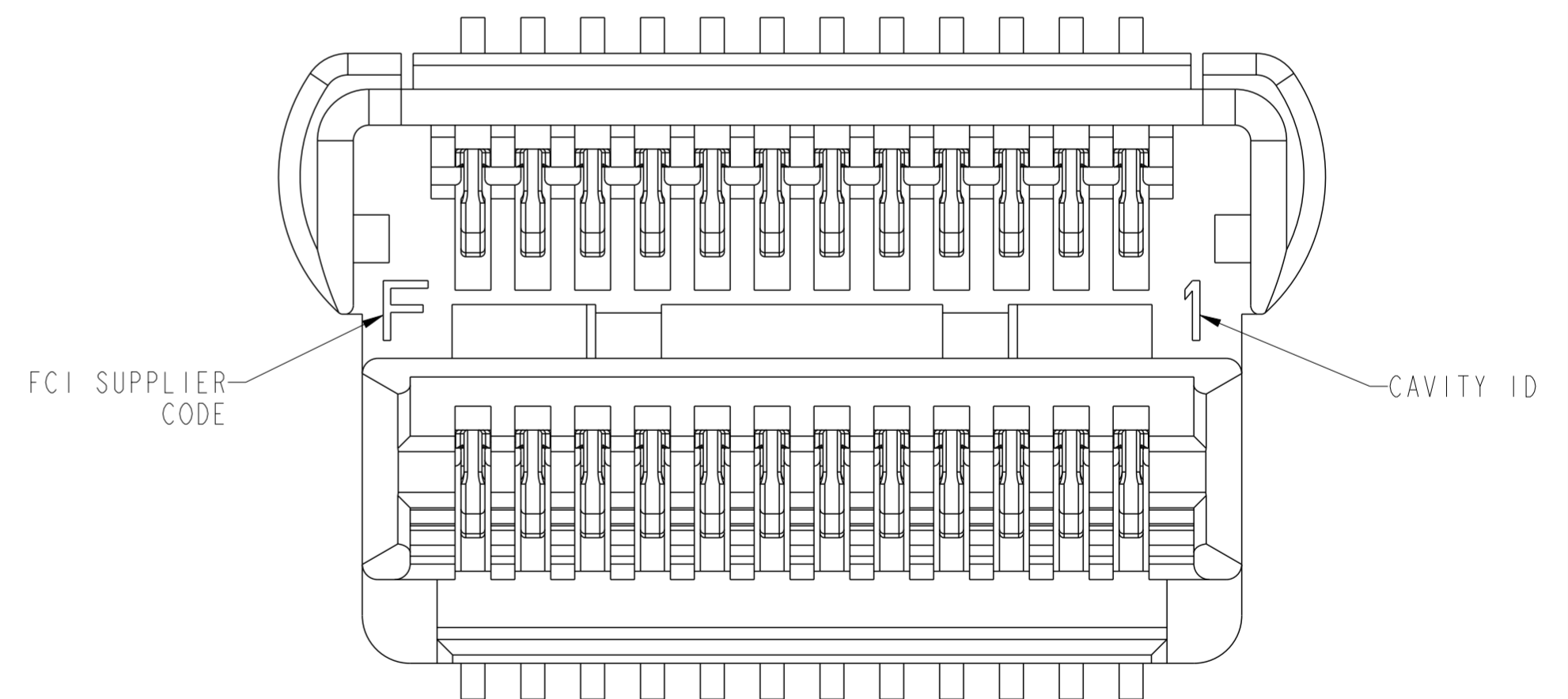
spec ref	---	dr	Stu Stoner	2011/03/09	projection	mm	size	A2	scale	10:1		
tolerance std	ASME Y14.5	eng	Sandar Soe	2016/01/28			ecn no	ELX-DG-23104-1				
TOLERANCES UNLESS OTHERWISE SPECIFIED		chr	-				rel level	Released				
surface	✓	appr	Pei-Ming Zheng	2016/02/04			product family	MezzoStack				
ASME Y14.5	linear	0.X	±0.3		title	HERMAPHRODITIC CONNECTOR, SPECIAL			divg no	10115130	rev	G
		0.XX	±0.10		www.fci.com	cat. no.	-			Product - Customer Drw	sheet 7 of 9	
	angular	0°	±2°									

NOTES

- 1 - MATERIAL:
HOUSING - LCP, UL94-V0.
CONTACTS:
CONTACT PLATING:
SEPARABLE INTERFACE: PERFORMANCE-BASED PLATING, QUALIFIED TO MEET THE REQUIREMENTS OF FCI PRODUCT SPECIFICATION GS-12-577.
SOLDER TAILS: 0.10um Au.
- 2 - RECOMMENDED LEAD FREE SOLDER PASTE THICKNESS 150um.
- 3 - THE HOUSING WILL WITHSTAND EXPOSURE TO 260°C PEAK TEMPERATURE FOR 30 SECONDS IN A CONVECTION INFRA RED OR VAPOR PHASE REFLOW OVEN. SEE APPLICATION SPECIFICATION.
- 4 - THIS PRODUCT MEETS EUROPEAN UNION DIRECTIVES AND OTHER COUNTRY REGULATION AS DESCRIBED IN GS-22-008
- 5 - PACKAGING TAPE AND REEL PACKAGING SPECIFICATION GS-14-1320
- 6 - PRODUCT SPECIFICATION GS-12-577
- 7 - LEAD CO-PLANARITY TO BE 0.08MM MAX.
- 8 - THE TOE HEIGHT OF THE SOLDER TAIL SHALL BE MEASURED FROM THE LOWEST POINT OF THE 0.08 COPLANARITY PLANE. THIS MEASUREMENT SHALL NOT EXCEED A WINDOW OF 0.00 TO 0.10MM.
- 9 - REFER TO IPC 7525-A FOR STENCIL CREATION
- 10 - THE MAXIMUM TEMPERATURE RISE DUE TO A 1.0 AMPERE DC CURRENT FLOWING THROUGH ANY 2 ADJACENT CONTACTS AND 200 MILLIAMPERE DC CURRENT FLOWING THROUGH ALL REMAINING CONTACT SHALL NOT EXCEED 30°C WHEN TESTED AS PER FCI PRODUCT SPECIFICATION GS-12-577



10115130-001LF SHOWN
WITHOUT STANDARD PICK-UP CAP



spec ref	---	dr	Stu Stoner	2011/03/09	projection	mm	size	A2	scale	20:1
tolerance std	ASME Y14.5	eng	Sandar Soe	2016/01/28			ecn no	ELX-DG-23104-1		
TOLERANCES UNLESS OTHERWISE SPECIFIED		chr	-	rel level			Released			
surface	✓	appr	Pei-Ming Zheng	2016/02/04			product family	MezzoStack	rel level	Released
linear	0.X ±0.3 0.XX ±0.10 0.XXX ±0.05	FCI	title		HERMAPHRODITIC CONNECTOR, SPECIAL	cat. no.	10115130	rev	G	
angular	0° ±2°	www.fci.com	Product - Customer Drw		sheet 8 of 9					



PRODUCT NUMBER CODE;
(MANUFACTURING SITE: DONGGUAN)

 PRODUCT NUMBER CODE;
(MANUFACTURING SITE: MALAYSIA)

10115130 - 00

RESERVED

* LF

LEAD FREE

- 1: SINGLE ROW RIBS
WITHOUT LOCATING POSTS
HOUSING COLOR, BLACK
- 3: DUAL ROW RIBS
WITH LOCATING POSTS
HOUSING COLOR, WHITE
- 4: DUAL ROW RIBS
WITHOUT LOCATING POSTS
HOUSING COLOR, WHITE
- 5: DUAL ROW RIBS
WITH LOCATING POSTS
HOUSING COLOR, WHITE
ROUND FILLET ON HOUSING GUIDING FETURE
- 6: DUAL ROW RIBS
WITHOUT LOCATING POSTS
HOUSING COLOR, WHITE
ROUND FILLET ON HOUSING GUIDING FETURE

10115130 - 00

RESERVED

* M LF

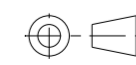

LEAD FREE

MANUFACTURING SITE

- 5: DUAL ROW RIBS
WITH LOCATING POSTS
HOUSING COLOR, WHITE
ROUND FILLET ON HOUSING GUIDING FETURE
- 6: DUAL ROW RIBS
WITHOUT LOCATING POSTS
HOUSING COLOR, WHITE
ROUND FILLET ON HOUSING GUIDING FETURE



Copyright FCI.

spec ref	---	dr	Stu Stoner	2011/03/09	projection	mm	size	A2	scale	11:1			
tolerance std	---	eng	Sandar Soe	2016/01/28		mm	ecn no	ELX-DG-23104-1	rel level	Released			
---	TOLERANCES UNLESS OTHERWISE SPECIFIED	chr	-	appr							Pei-Ming Zheng	2016/02/04	product family
surface	✓	linear	0.X	±0.3		title	HERMAPHRODITIC CONNECTOR, SPECIAL	divg no	10115130	rev			
ASME Y14.5	0.XX	±0.10	www.fci.com	cat. no.							-	Product - Customer Drw	sheet 9 of 9
	0.XXX	±0.05											

PDS: Rev :G

STATUS:Released

Printed: Feb 05, 2016