

# PACT MCR-V2-6015- 85- 500-5A-1 - Current transformer



2277912

<https://www.phoenixcontact.com/us/products/2277912>

Please be informed that the data shown in this PDF document is generated from our online catalog. Please find the complete data in the user documentation. Our general terms of use for downloads are valid.



Window-type current transformer, 500 A AC primary current; 5 A AC secondary current; accuracy class 1; 5 VA rated power

## Commercial data

Item number	2277912
Packing unit	1 pc
Minimum order quantity	1 pc
Note	Made to order (non-returnable)
Sales key	C444
Product key	CK4A11
Catalog page	Page 215 (C-5-2019)
GTIN	4046356502504
Weight per piece (including packing)	354.8 g
Weight per piece (excluding packing)	250 g
Customs tariff number	85043129
Country of origin	DE

# PACT MCR-V2-6015- 85- 500-5A-1 - Current transformer



2277912

<https://www.phoenixcontact.com/us/products/2277912>

## Technical data

### Product properties

Product type	Current transformer
--------------	---------------------

### Electrical properties

Rated insulation voltage	1 kV (Phase/neutral conductor)
--------------------------	--------------------------------

#### General

Can be calibrated	no
Converter type	Window-type current transformer

### Input data

#### Current transformers

Rated power	5 VA
Thermal rated short-time current	$I_{th} = 60 * I_n$
Thermal rated continuous current	$I_d = 1.2 * I_n$
Rated surge current	$I_{dyn} = 2.5 * I_{th}$
Rated frequency $f_n$	50 Hz 60 Hz
Primary rated current $I_{pn}$	0 A AC ... 500 A AC
Primary rated current range	1 A AC ... 4000 A AC (depends on type)
Can be calibrated	no
Converter type	Window-type current transformer

### Output data

#### Signal

Designation	Current output
Secondary rated current $I_{sn}$	5 A AC
Surge current limitation factor	FS 5
Accuracy class	1

### Connection data

Connection method	Screw connection
Conductor cross section flexible	2x 2.5 mm <sup>2</sup> ... 4 mm <sup>2</sup> (Secondary terminals)

### Dimensions

#### Item dimensions

Width	30 mm
Height	108 mm
Depth	85 mm

#### Item dimensions with alternative mounting

# PACT MCR-V2-6015- 85- 500-5A-1 - Current transformer



2277912

<https://www.phoenixcontact.com/us/products/2277912>

Width	85 mm
Height	108 mm
Depth	30 mm

## Copper rail

Width	60 mm
Height	15 mm

## Copper rail 2

Width	50 mm
Height	10 mm

## Copper rail 3

Width	40 mm
Height	40 mm

## Circular conductor

Diameter	52 mm
----------	-------

## Material specifications

Housing material	PA 6.6
------------------	--------

## Environmental and real-life conditions

### Ambient conditions

Ambient temperature (operation)	-25 °C ... 40 °C
Ambient temperature (storage/transport)	-25 °C ... 40 °C
Altitude	≤ 1000 m
Permissible humidity (operation)	Use only indoors, non-condensing

## Approvals

### UL, USA/Canada

Identification	XODW8.E323953
----------------	---------------

## Standards and regulations

Standards/regulations	EN 61869
-----------------------	----------

## Mounting

Mounting type	DIN rail mounting
---------------	-------------------

# PACT MCR-V2-6015- 85- 500-5A-1 - Current transformer

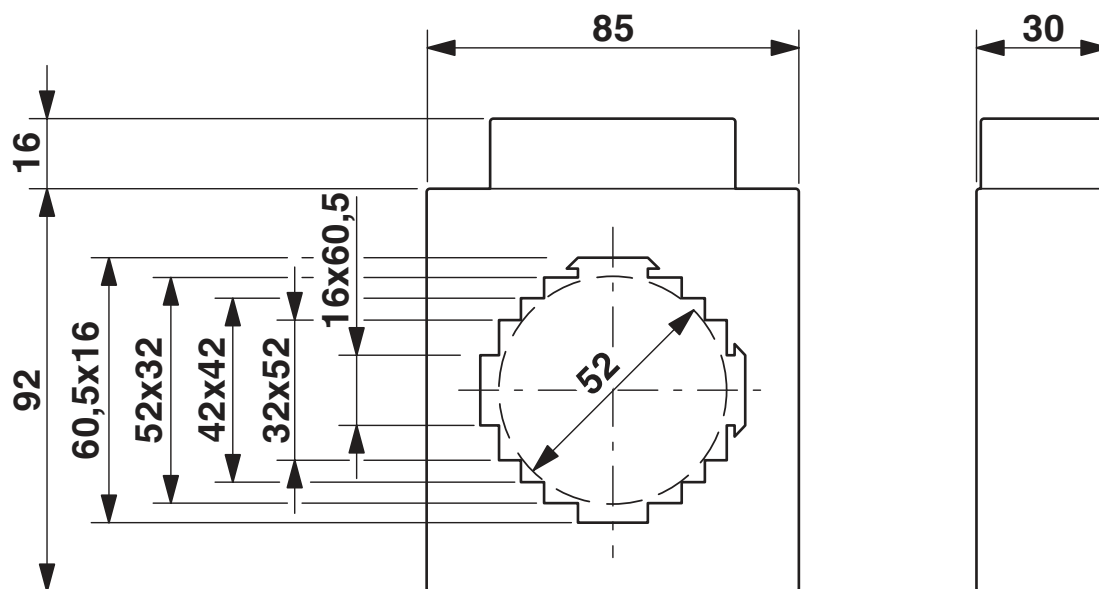


2277912

<https://www.phoenixcontact.com/us/products/2277912>

## Drawings

Dimensional drawing



# PACT MCR-V2-6015- 85- 500-5A-1 - Current transformer



2277912

<https://www.phoenixcontact.com/us/products/2277912>

## Approvals

To download certificates, visit the product detail page: <https://www.phoenixcontact.com/us/products/2277912>



**EAC**

Approval ID: RU\*DE\*08.B.01187/19

# PACT MCR-V2-6015- 85- 500-5A-1 - Current transformer



2277912

<https://www.phoenixcontact.com/us/products/2277912>

## Classifications

### ECLASS

ECLASS-11.0	27210902
ECLASS-13.0	27210902
ECLASS-12.0	27210902

### ETIM

ETIM 8.0	EC002048
----------	----------

### UNSPSC

UNSPSC 21.0	39121000
-------------	----------

# PACT MCR-V2-6015- 85- 500-5A-1 - Current transformer



2277912

<https://www.phoenixcontact.com/us/products/2277912>

## Environmental product compliance

China RoHS	Environmentally Friendly Use Period = 50 years For information on hazardous substances, refer to the manufacturer's declaration available under "Downloads"
------------	--

# PACT MCR-V2-6015- 85- 500-5A-1 - Current transformer



2277912

<https://www.phoenixcontact.com/us/products/2277912>

## Accessories

### PACT-FAST-MNT-W16-L65 - Mounting material

2276641

<https://www.phoenixcontact.com/us/products/2276641>



The transformer quick-action mechanism enables the lightning-fast mounting of PACT current transformers on the power rail. The installation can be completed easily by hand without the use of tools. Fixing pins: 65 mm, holding latches: 16 mm

---

### PACT-FAST-MNT-W16-L40 - Mounting material

2276638

<https://www.phoenixcontact.com/us/products/2276638>



The transformer quick-action mechanism enables the lightning-fast mounting of PACT current transformers on the power rail. The installation can be completed easily by hand without the use of tools. Fixing pins: 40 mm, holding latches: 16 mm



# PACT MCR-V2-6015- 85- 500-5A-1 - Current transformer



2277912

<https://www.phoenixcontact.com/us/products/2277912>

## PACT MCR-RA - DIN rail adapter

2277598

<https://www.phoenixcontact.com/us/products/2277598>

Adapter for mounting on DIN rails.



---

Phoenix Contact 2023 © - all rights reserved

<https://www.phoenixcontact.com>

Phoenix Contact USA  
586 Fulling Mill Road  
Middletown, PA 17057, United States  
(+717) 944-1300  
[info@phoenixcon.com](mailto:info@phoenixcon.com)