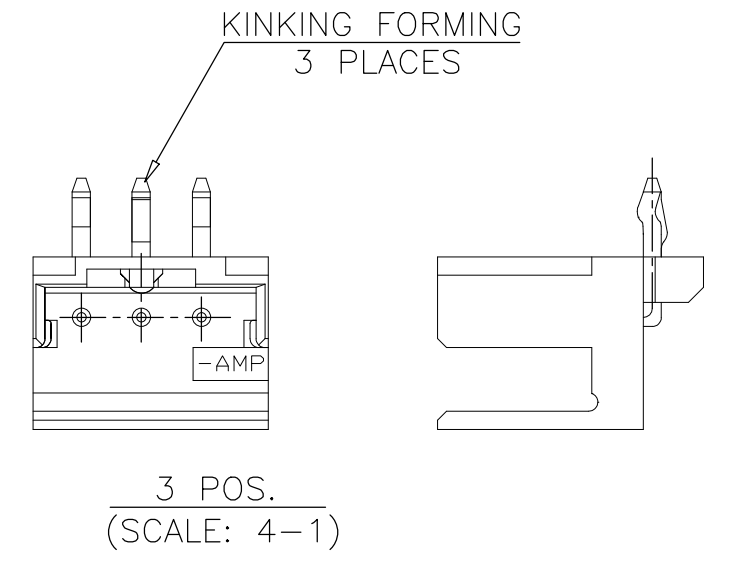
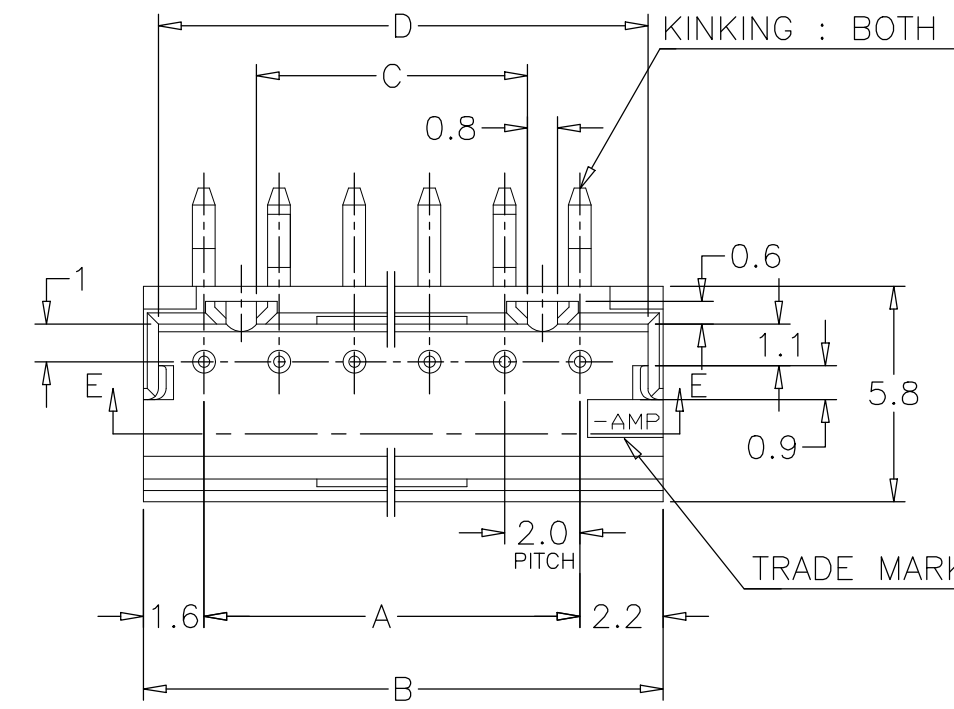
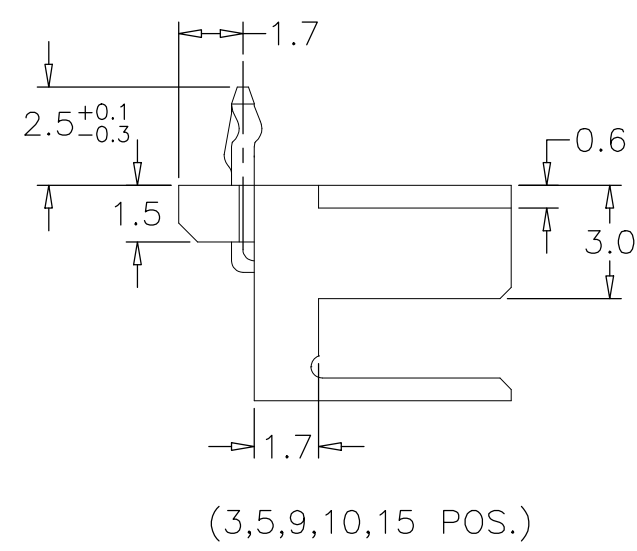
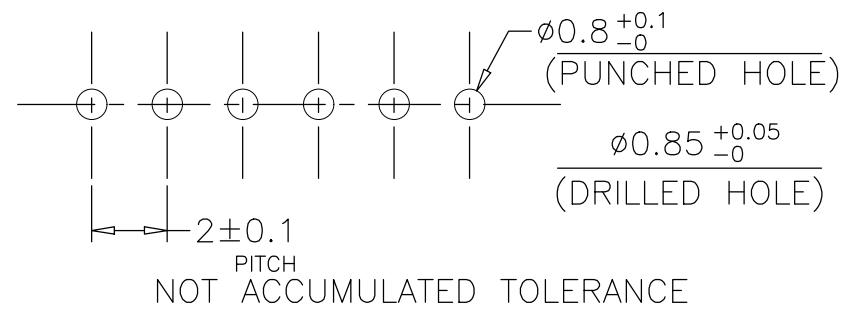
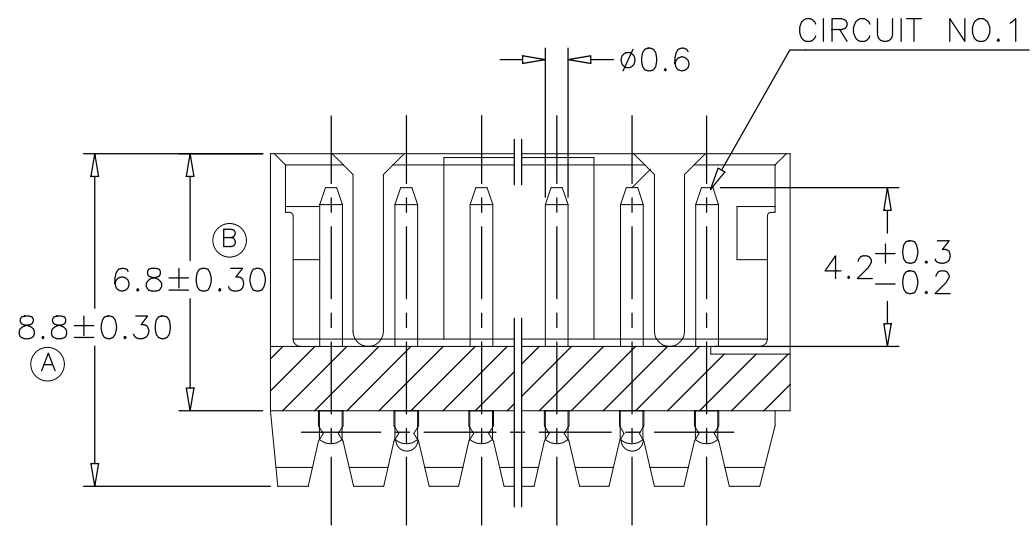


THIS DRAWING IS UNPUBLISHED. RELEASED FOR PUBLICATION
 © COPYRIGHT - TE Connectivity Ltd. ALL RIGHTS RESERVED.

| REVISIONS | | | | | |
|-----------|---------|---------------|---------|-----|------|
| P | LTR | DESCRIPTION | DATE | DWN | APVD |
| C1 | REVISED | ECR-18-010748 | 11JUL18 | T.Q | W.H |



- NOTES:
- 1 MATERIAL : HOUSING-66 NYLON (UL94V-0)
POST-TIN BRASS
 - 2 THIS PRODUCT IS SHORT TIME OF P/N 292250
 - 3 APPLICABLE RECEPTACLE : P/N 173977



3,5,9,10,15 POS.
SECT E-E

| COLOR | P/N | POS. | A | B | C | D |
|---------|------------|------|----|------|------|------|
| BLACK | 6-292130-3 | 3 | 4 | 7.8 | — | 7.0 |
| | | | | | | |
| YELLOW | 4-292130-3 | 3 | 4 | 7.8 | — | 7.0 |
| | | | | | | |
| NATURAL | 1-292130-5 | 15 | 28 | 31.8 | 25.2 | 31.0 |
| | | 10 | 18 | 21.8 | 15.2 | 21.0 |
| | | 9 | 16 | 19.8 | 13.2 | 19.0 |
| | | 6 | 10 | 13.8 | 7.2 | 13 |
| | | 5 | 8 | 11.8 | 5.2 | 11 |
| | 292130-3 | 3 | 4 | 7.8 | — | 7.0 |

RECOMMENDABLE P.C. BOARD LAYOUT
(PCB THK : 0.8-1.6)

TOLERANCES UNLESS OTHERWISE SPECIFIED:

| | |
|----------|---------|
| 10** | : ±0.2 |
| 30**>10 | : ±0.25 |
| 100**>30 | : ±0.3 |
| ANGEL | : ±3° |

THIS DRAWING IS A CONTROLLED DOCUMENT.

| | |
|-------------------|----------------------------------------|
| DIMENSIONS: mm | TOLERANCES UNLESS OTHERWISE SPECIFIED: |
| 0 PLC ± - | 1 PLC ± - |
| 2 PLC ± - | 3 PLC ± - |
| 4 PLC ± - | ANGLES ± - |
| MATERIAL SEE NOTE | FINISH SEE NOTE |

THIS DRAWING IS A CONTROLLED DOCUMENT.

| | | |
|------------------|--------------|---------------------------------------------------------------------|
| DWN S.XU | 31JAN03 | STE TE Connectivity |
| CHK S.YAO | 31JAN03 | |
| APVD T.SASAKI | 31JAN03 | |
| PRODUCT SPEC | 108-60016 | NAME POST HEADER ASS'Y (BOX-H TYPE) (AMP CT CONNECTOR 2mm PITCH) |
| APPLICATION SPEC | - | SIZE A3 |
| WEIGHT - | - | CAGE CODE 00779 |
| CUSTOMER DRAWING | SCALE 5:1 | DRAWING NO C-292130 |
| | SHEET 1 OF 1 | RESTRICTED TO - |
| | REV C1 | |