



## Features

- Switching capacity 16A
- Produced in accordance to IEC 60335-1
- PC board mounting
- UL/CUL certified

**UL**<sup>®</sup> US  
E197851



## Contact Data\*

Contact Arrangement	1A = SPST N.O.
	1C = SPDT
	2A = DPST N.O.
	2C = DPDT

Contact Resistance	< 50 milliohms initial
Contact Material	AgSnO <sub>2</sub>
Maximum Switching Power	480W, 4000VA
Maximum Switching Voltage	380VAC, 110VDC
Maximum Switching Current	16A

UL Electrical Rating			Coil Power
12A Contact Single Pole	NO	12A @ 250VAC; 30VDC, Resistive, 6K cycles, 85°C	.41W
	NC	12A @ 250VAC; 30VDC, Resistive, 6K cycles, 85°C	
16A Contact Single Pole	NO	16A @ 250VAC; 30VDC, Resistive, 6K cycles, 85°C 16A @ 277VAC, Resistive, 100K cycles, 105°C	.41W
	NC	16A @ 250VAC; 30VDC, Resistive, 6K cycles, 85°C	
8A Contact Double Pole	NO	8A @ 277VAC; 30VDC, Resistive, 6K cycles, 85°C	.41W
	NC	8A @ 277VAC; 30VDC, Resistive, 6K cycles, 85°C	
10A Contact Double Pole	NO	10A @ 250VAC, Resistive, 50K cycles, 85°C	.53W
	NC	10A @ 30VDC, Resistive, 10K cycles, 85°C	

## Coil Data\*

Coil Voltage VDC		Coil Resistance Ω +/- 10%		Pick Up Voltage VDC (max) 75% of rated voltage	Release Voltage VDC (min) 10% of rated voltage	Coil Power W	Operate Time ms	Release Time ms
Rated	Max	.41W	.53W					
5	6.5	62	47	3.75	.5	.41 .53	10	5
6	7.8	90	67	4.50	.6			
9	11.7	202	150	6.75	.9			
12	15.6	360	270	9.00	1.2			
24	31.2	1440	1050	18.00	2.4			
48	62.4	5760	4250	36.00	3.6			



## General Data\*

Electrical Life @ rated load	100K cycles, average
Mechanical Life	10M cycles, average
Insulation Resistance	100M Ω min. @ 500VDC initial
Dielectric Strength, Coil to Contact	5000V rms min. @ sea level initial
Contact to Contact	1000V rms min. @ sea level initial
Shock Resistance	500m/s <sup>2</sup> for 11 ms
Vibration Resistance	1.50mm double amplitude 10~40Hz
Operating Temperature	-55°C to +125°C
Storage Temperature	-55°C to +155°C
Solderability	260°C for 5 s
Weight	14g

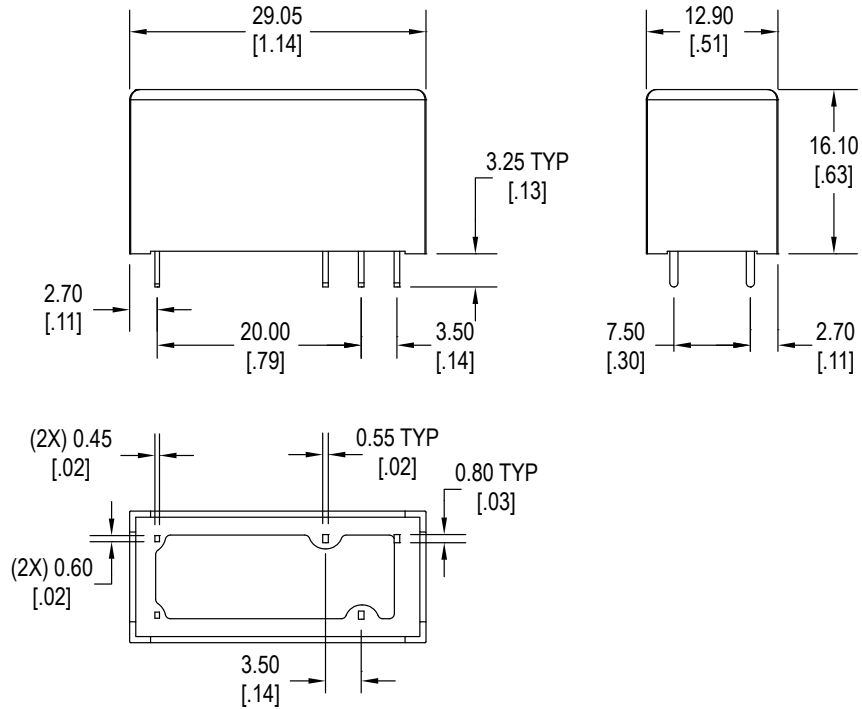
\* Values can change due to the switching frequency, desired reliability levels, environmental conditions and in-rush load levels. It is recommended to test actual load conditions for the application. It is the user's responsibility to determine the performance suitability for their specific application. The use of any coil voltage less than the rated coil voltage may compromise the operation of the relay.

## Ordering Information

1. Series	J114FL	1C	S	16	12VDC	.41
	J114FL					
2. Contact Arrangement						
1A = SPST N.O.						
1C = SPDT						
2A = DPST N.O.						
2C = DPDT						
3. Sealing Option						
S = Sealed						
4. Contact Rating						
12 = 12A, only available with 1 pole relays						
16 = 16A, only available with 1 pole relays						
8 = 8A, only available with 2 pole relays						
10 = 10A, only available with 2 pole relays & .53W coil power						
5. Coil Voltage						
5VDC						
6VDC						
9VDC						
12VDC						
24VDC						
48VDC						
6. Coil Power						
.41 = .41W						
.53 = .53W, only available with 2 pole, 10A contacts						

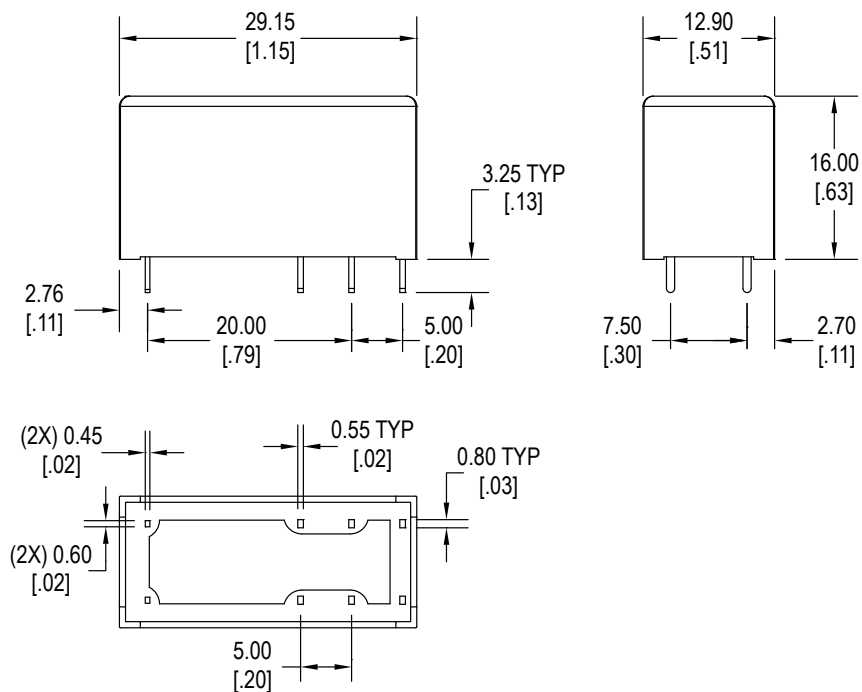
### Dimensions - 12amp Single Pole

Units = mm



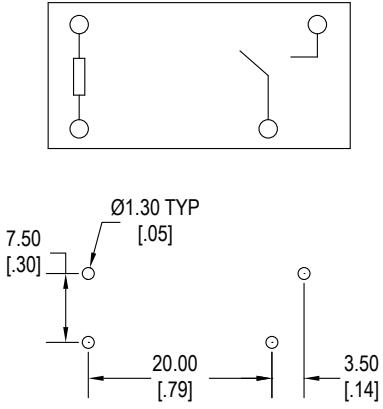
### Dimensions - 16amp Single Pole, 8amp Double Pole, 10amp Double Pole

Units = mm

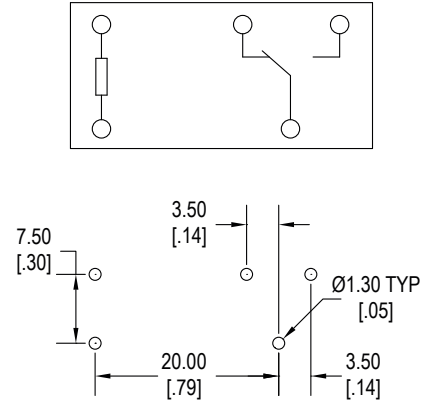


## Schematics & PC Layouts

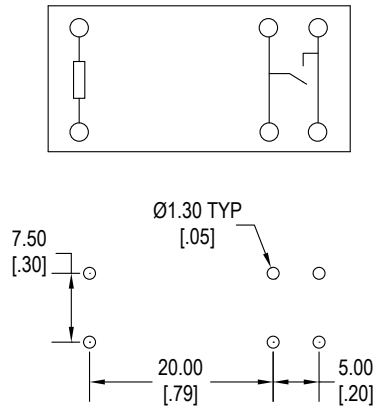
### Bottom Views



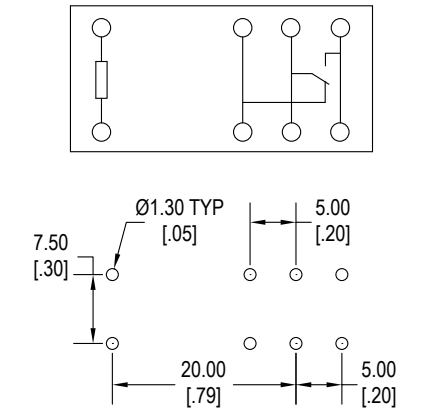
**1A (12amp)**



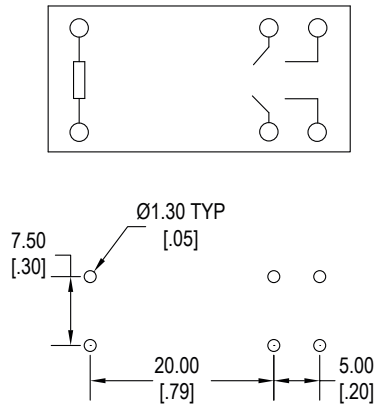
**1C (12amp)**



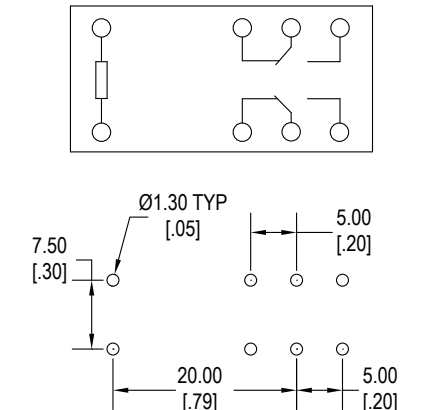
**1A (16amp)**



**1C (16amp)**



**2A (8amp, 10amp)**



**2C (8amp, 10amp)**