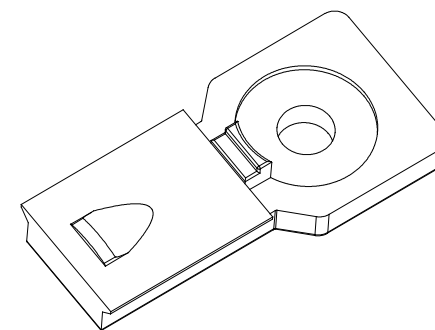
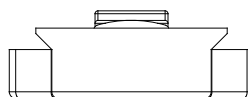
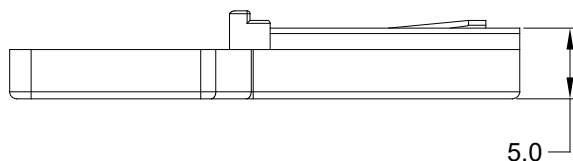
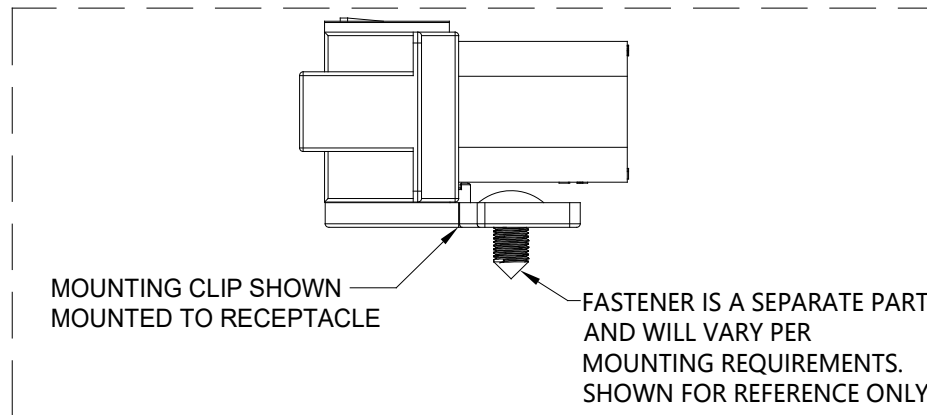
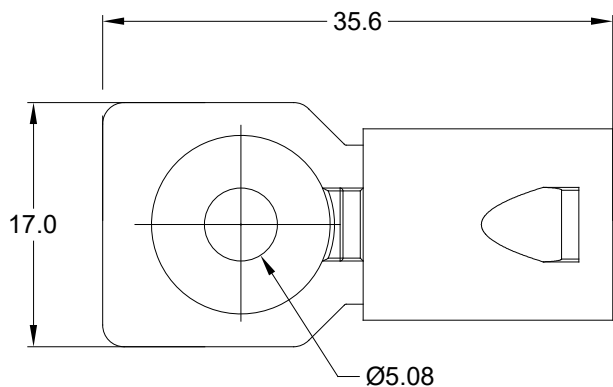


REVISIONS

REV	ECO	DESCRIPTION	DATE	BY	APPR
A1	--	RELEASE NEW PRODUCT	06/SEP/19	ROOKIE	TOMMY



NOTES: UNLESS OTHERWISE SPECIFIED

1. MATERIAL: THERMOPLASTIC; COLOR: GRAY
2. RoHS COMPLIANT
3. USE WITH CONNECTORS
A.AT04-08P*(* = MODIFICATIONS AND/OR COLORS)
4. ALL DIMENSIONS ARE FOR REFERENCE USE ONLY.

QUANTITY	PART NUMBER	DESCRIPTION	ITEM
	AT11-027-0805		
MATERIALS LIST			
<p>UNLESS OTHERWISE SPECIFIED</p> <p>1) All dimensions are in metric(mm). 2) Tolerances are as follows: 1 PL DEC ±0.30 Fractions ±1/64 2 PL DEC ±0.15 Angles ±1° 3 PL DEC ±0.08</p> <p>3) Note reference = </p>		<p>SIGNATURES DATE</p> <p>DRAWN: ROOKIE 06/SEP/19</p> <p>CHECKED: ORION 06/SEP/19</p> <p>ENGINEER:</p> <p>APPROVAL: TOMMY 06/SEP/19</p> <p>CUSTOMER:</p>	<p style="text-align: center;">Amphenol</p> <p style="text-align: center;">Sine Systems - www.amphenol-sine.com 44724 Morley Drive Clinton Township, MI 48036</p>
<p>MATERIAL SPECIFICATIONS:</p>		<p style="text-align: center;">MOUNTING CLIP, AT 8 POS RECEPTACLE PLASTIC, GRAY</p>	
<p>PROCESS SPECIFICATIONS:</p>		<p>THIS DRAWING IS SUPPLIED FOR INFORMATION ONLY. DESIGN FEATURES, SPECIFICATIONS AND PERFORMANCE DATA SHOWN HEREON ARE THE PROPERTY OF THE AMPHENOL CORPORATION. NO RIGHTS OF REPRODUCTION ARE IMPLIED. ALL DIMENSIONS ARE SUBJECT TO NORMAL MANUFACTURING VARIATIONS.</p>	
<p>NEXT ASSY:</p>		<p>SIZE: A TYPE: C- DWG NO: AT11-027-0805 REVISION: A1</p>	<p>SCALE: NONE SHEET 1 OF 1</p>