

MATERIAL NO.	ENGINEERING NO.	FINISHED LENGTH
1300080323	309000A01F030	3 FT. (0.91 M)
1300080339	309000A01F400	40 FT. (12.19 M)
1300080344	309000A01F750	75 FT. (22.86 M)

**CABLE LENGTH TOLERANCES**

<.3M [1FT]: +19mm-0 [ +.75in-0]

.3 - .9M [1 - 3FT]: +44.5mm-0 [+1.75in-0]

.9 - 1.8M [3 - 6FT]: +55.6mm-0 [+2.19in-0]

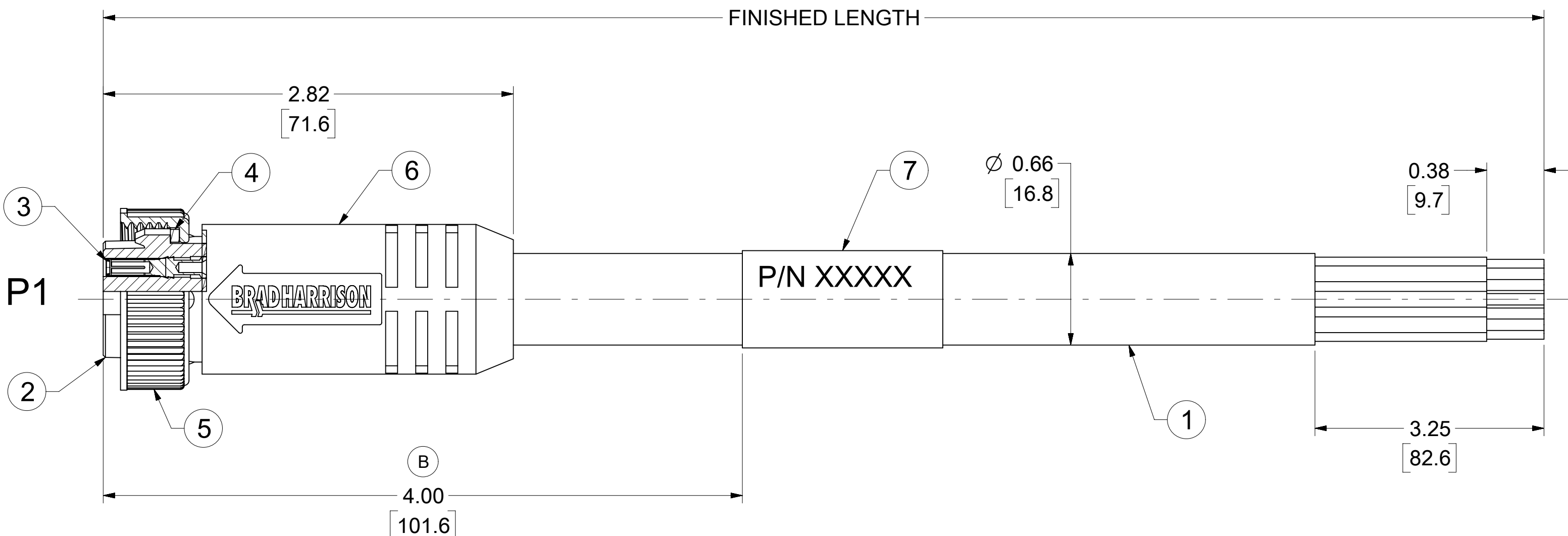
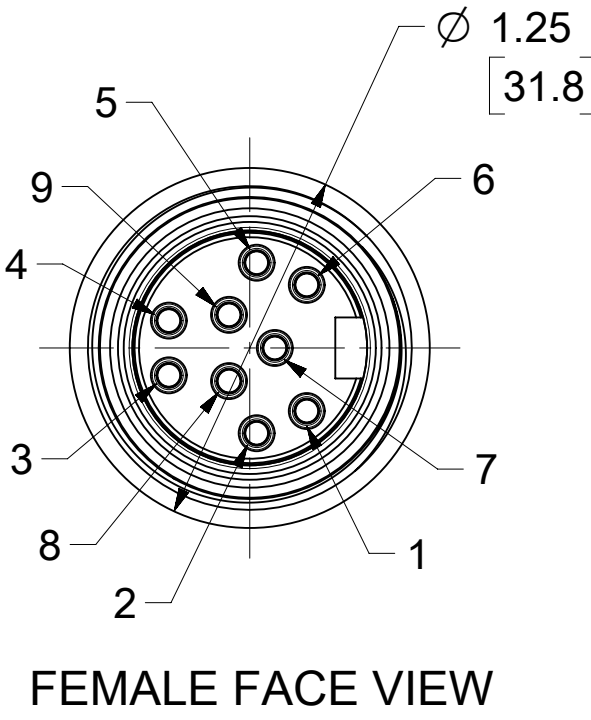
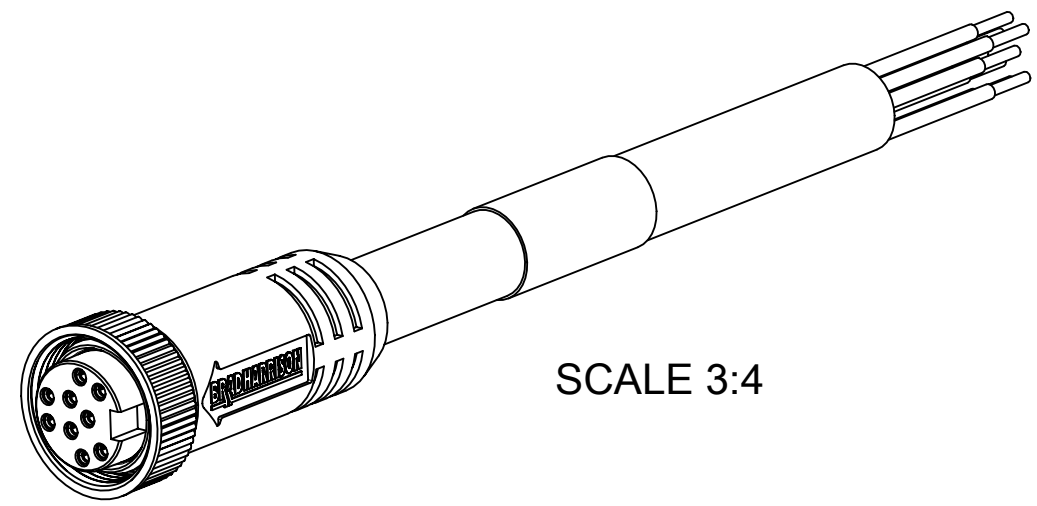
1.8 - 3.7M [6 - 12FT]: +88.9mm-0 [+3.50in-0]

3.7 - 7.3M [12 - 24FT]: +165.1mm-0 [+6.50in-0]

7.3-14.6M [24 - 48FT]: +317.5mm-0 [+12.50in-0]

14.6 - 30.5M [48-100FT]: +622.3mm-0 [+24.50in-0]

OVER 30M [100FT] +2% OF FINISHED LENGTH



- NOTES:**
- MATERIAL: AS NOTED
  - FINISH: AS NOTED
  - ELECTRICAL:  
VOLTAGE: 320V PER IEC60664  
600V PER UL2238  
CURRENT: 7A
  - TEMP RATING: -20°C TO +105°C
  - PROTECTION: IP67 (WHEN MATED)
  - CSA CERTIFIED FILE: LR6837
  - UL RECOGNIZED FILE: E152210
  - COUPLING THREAD: 1 1/8"-16UN
  - ASSEMBLY IS ROHS COMPLIANT
  - ALL DIMS ARE FOR REFERENCE UNLESS TOLERANCED OR NOTED OTHERWISE

**WIRING DIAGRAM**

P1	Color
1	ORANGE
2	BLUE
3	RED/BLACK
4	GREEN/BLACK
5	WHITE
6	RED
7	GREEN/YELLOW
8	WHITE/BLACK
9	BLACK

**PART NUMBER MATRIX**

309000A01F030

FINISHED LENGTH  
F001= .1 FT  
F020= 2 FT  
F200= 20 FT

7	6	5	4	3	2	1
ITEM	DESCRIPTION	MATERIAL	FINISH			
7	LABEL	VINYL	BLACK/YELLOW			
6	OVERMOLD	TPE	YELLOW			
5	COUPLING NUT	ZINC DIE CAST	BLACK E-COAT			
4	FRICTION RING	NYLON	NATURAL			
3	SOCKET CONTACT	Cu ALLOY	GOLD OVER NICKEL			
2	FEMALE INSERT	TPE	YELLOW			
1	#16-9, CABLE, STOOV/ST	PVC JACKET	YELLOW			

THIS DRAWING CONTAINS INFORMATION THAT IS PROPRIETARY TO MOLEX ELECTRONIC TECHNOLOGIES, LLC AND SHOULD NOT BE USED WITHOUT WRITTEN PERMISSION

DIMENSION UNITS	SCALE	CURRENT REV DESC: UPDATED ITEM #2.6.7, LABEL DIM. AND MATERIAL P/N TABLE . ADDED CSA, UL, IEC VOLT, TEMP RATING, IP RATING, TOL. CHART AND PART NUMBER MATRIX	
INCH/MM	1.5:1		
GENERAL TOLERANCES (UNLESS SPECIFIED)			
4 PLACES	±		
3 PLACES	±		
2 PLACES	±	0.01	
1 PLACE	±	0.3	
0 PLACES	±		
ANGULAR TOL	±	0.5 °	
DRAFT WHERE APPLICABLE MUST REMAIN WITHIN DIMENSIONS		THIRD ANGLE PROJECTION	

EC NO: 673727	2021/06/28		
DRWN: AKABADI	2021/08/13		
CHK'D: RSTONE	2021/08/27		
APPR: BWOODMAN			
INITIAL REVISION:			
DRWN: RSTONE	2009/03/18		
APPR: JFMURPHY	2009/04/01		

DOCUMENT NUMBER		DOC TYPE	DOC PART	REVISION
SD-130008-004		PSD	001	B
MATERIAL NUMBER	CUSTOMER	SHEET NUMBER		
SEE TABLE	GENERAL MARKET	1 OF 1		

**molex**

MINI-CHANGE CORDSET, C SIZE  
9 POLE, FEMALE, STRAIGHT, SINGLE KEY, 16AWG

PRODUCT CUSTOMER DRAWING