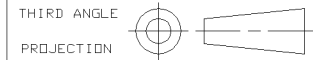


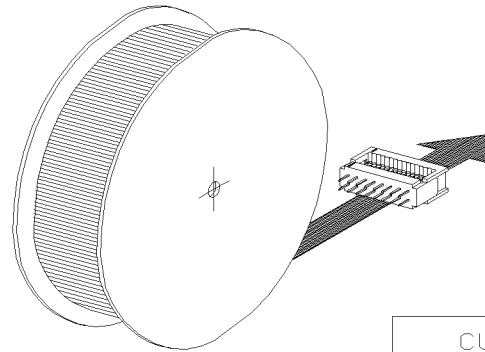
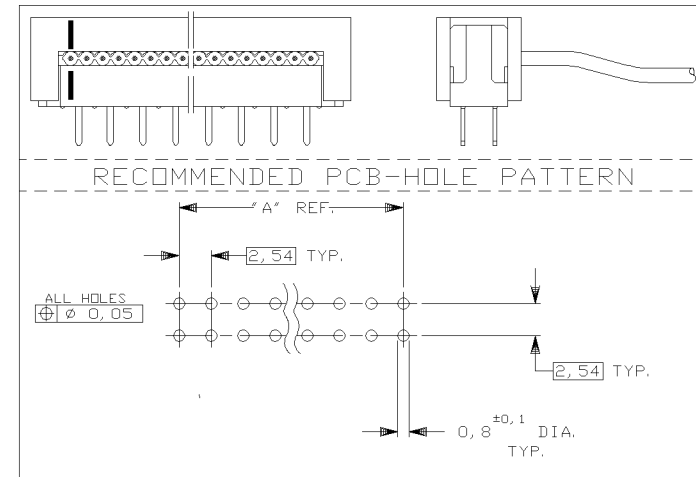
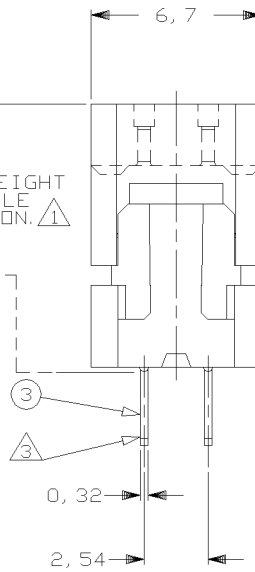
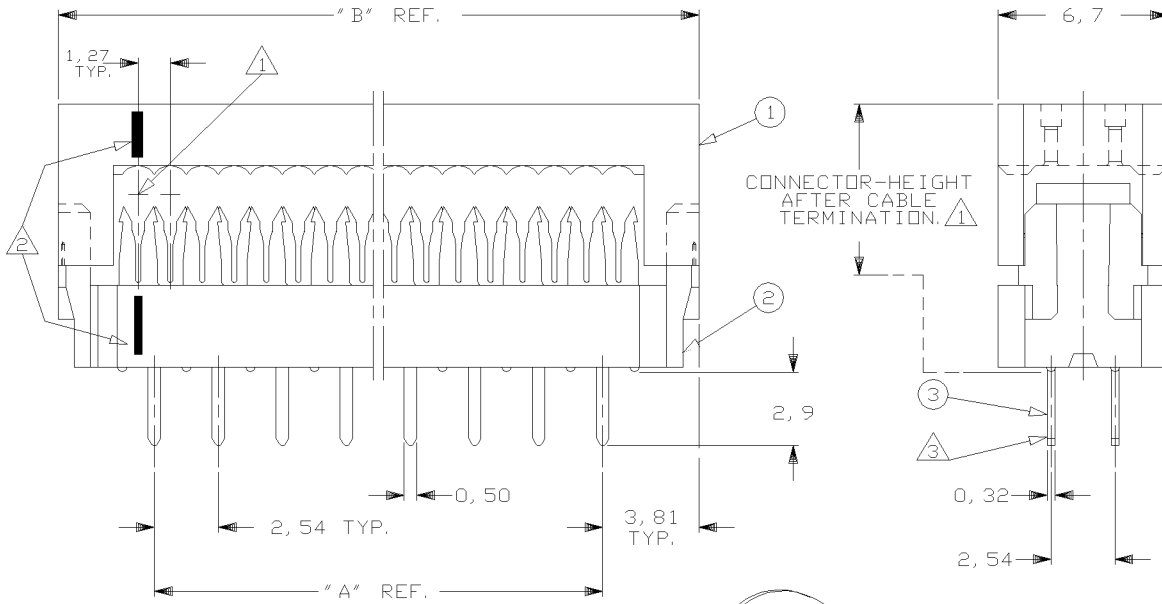
DO NOT SCALE
DIMENSIONS IN mm

METRIC



NOTES:

- ① CONNECTOR IS DESIGNED FOR FLAT RIBBON CABLE ON 1,27 CENTERS. FOR CABLE REQUIREMENTS SEE APPLICATION SPECIFICATION 114-19022.
- ② INDICATION OF FIRST CABLE POSITION REFERRING TO CORRESPONDING CONTACT POSITION (BLACK INK MARKS)
- ③ SOLDER-TINES FOR 0,8^{+0,1} DIA. HOLES.
- 4) PRODUCT SPECIFICATION 108-19033



6-216119-4	A	64	78,74	86,36	1000
6-216119-0	A	60	73,66	81,28	1000
5-216119-0	A	50	60,96	68,58	1000
4-216119-4	A	44	53,34	60,96	1500
4-216119-0	A	40	48,26	55,88	1500
3-216119-4	A	34	40,64	48,26	1500
2-216119-6	A	26	30,48	38,10	1500
2-216119-0	A	20	22,86	30,48	1500
1-216119-6	A	16	17,78	25,40	1500
1-216119-4	A	14	15,24	22,86	1500
1-216119-0	A	10	10,16	17,78	1500
216119-6	A	6	5,08	12,70	1500

A2	REVISED PER ET00-0243-04	A. V.	R. M.	21MAR2005
A1	REVISED PER ET00-0023-04	D. C.	C. T.	09FEB2004
A	-	-	-	22MAY1989

CUSTOMER DRAWING
FOR REFERENCE ONLY
WILL NOT BE UPDATED

③ CONTACTS	PHOSPHORBRONZE	3, 0-5, 1µm TIN WITH ENTIRE NICKEL UNDERCOATING
② HOUSING AND COVER	THERMOPLASTIC POLYESTER	GREY
① HOUSING		
COMPONENT NAME	MATERIAL	PLATING / COLOUR

tyco Electronics
AMP ITALIA S.p.A.
Corso F.lli Cervi, 15
COLLEGNÒ (TORINO)
~~THIS DRAWING IS UNPUBLISHED~~ RELEASED FOR PUBLICATION 7-10, 1988
© COPYRIGHT 1988 BY AMP-HOLLAND B. V.
ALL INTERNATIONAL RIGHTS RESERVED.
AMP PRODUCTS MAY BE COVERED BY U. S. AND FOREIGN PATENTS AND/OR PATENTS PENDING.

DR. W. R. VERBEET.	DATE 7-10'88	WIRE RANGE SEE NOTE ①	NAME
CHK. R. VERSTIJNEN.	DATE 10-10'88	INSUL. RANGE SEE NOTE ①	AMP-LATCH 2,54 DIL-PLUG CONNECTOR WITHOUT RETENTION LEGS TAPE-MOUNTED ON REEL.
APP. L. v. SDEEST.	DATE 10-10'88	SIZE A3	SHEET 1 OF 1
		DWG. No. C-216119	REV. LTR. A2