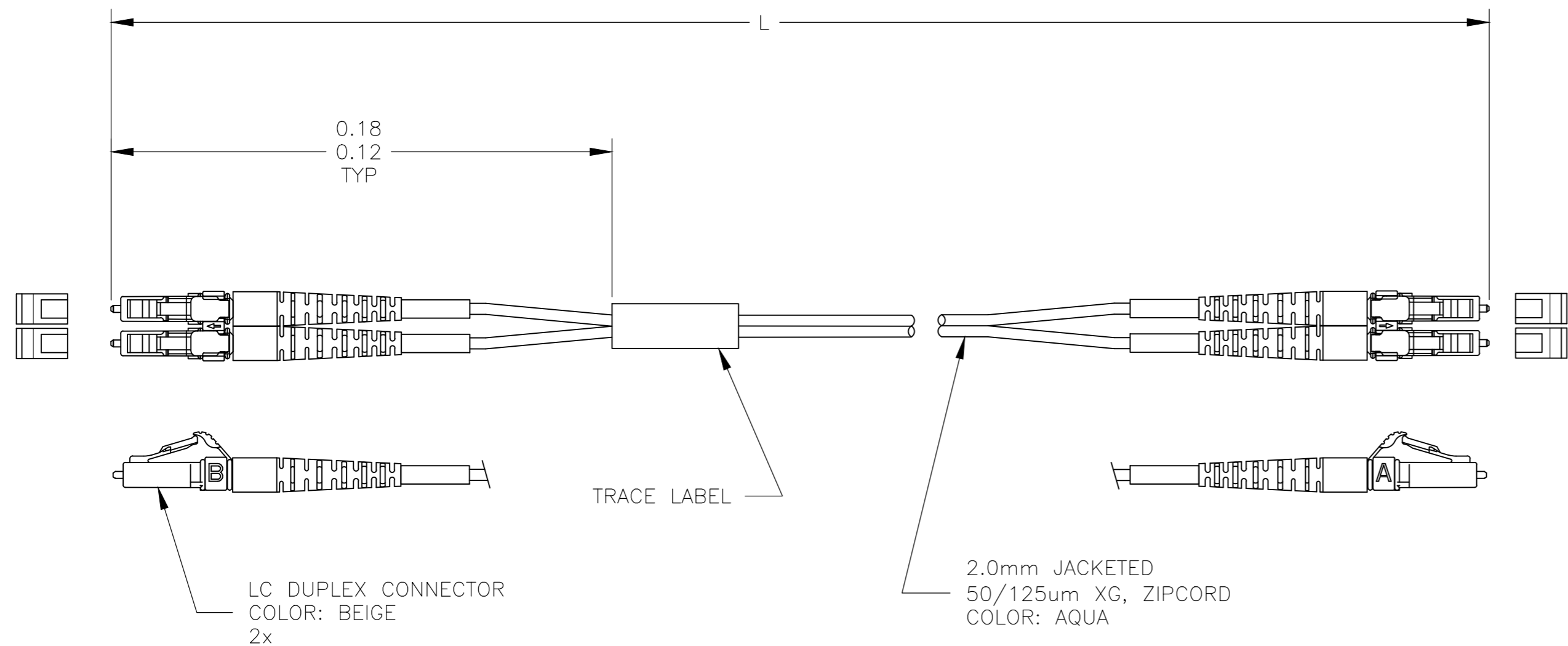


LOC	DIST	REVISIONS					
		P	LTR	DESCRIPTION	DATE	DWN	APVD
CE	-	B1		ADD 9-1 FOR 0.3M LENGTH	14AUG15	SW	RZ



1 MAXIMUM CONNECTOR INSERTION LOSS IS 0.5dB PLUS CABLE ATTENUATION OF 3.5dB/km AT 850nm. (SEE TABLE)

2. PRODUCT AND PROCESSING MUST MEET REQUIREMENTS OF TEC-138-702.

INSERTION LOSS (dB)	L METERS [INCHES]	PART NUMBER
0.85	100.00±1.00 [3937.0±39.0]	9-2064862-9
0.50	0.30±0.03 [11.8±1.2]	9-2064862-1
0.68	50.00±0.50 [1969.0±20.0]	5-2064862-0
0.64	40.00±0.40 [1575.0±16.0]	4-2064862-0
0.64	39.00±0.39 [1535.4±15.0]	3-2064862-9
0.63	38.00±0.38 [1496.1±15.0]	3-2064862-8
0.63	37.00±0.37 [1456.7±15.0]	3-2064862-7
0.63	36.00±0.36 [1417.3±14.0]	3-2064862-6
0.62	35.00±0.35 [1377.9±14.0]	3-2064862-5
0.62	34.00±0.34 [1338.6±13.0]	3-2064862-4
0.62	33.00±0.33 [1299.2±13.0]	3-2064862-3
0.61	32.00±0.30 [1259.8±12.0]	3-2064862-2
0.61	31.00±0.30 [1220.5±12.0]	3-2064862-1
0.61	30.00±0.30 [1181.0±12.0]	3-2064862-0
0.60	29.00±0.30 [1141.7±12.0]	2-2064862-9
0.60	28.00±0.30 [1102.4±12.0]	2-2064862-8
0.59	27.00±0.30 [1063.0±12.0]	2-2064862-7
0.59	24.00±0.30 [944.9±12.0]	2-2064862-6
0.59	25.00±0.30 [984.2±12.0]	2-2064862-5
0.58	24.00±0.30 [944.9±12.0]	2-2064862-4
0.58	23.00±0.30 [905.5±12.0]	2-2064862-3
0.58	22.00±0.30 [866.1±12.0]	2-2064862-2
0.57	21.00±0.30 [826.8±12.0]	2-2064862-1
0.57	20.00±0.30 [787.0±12.0]	2-2064862-0
0.57	19.00±0.30 [748.0±12.0]	1-2064862-9
0.56	18.00±0.30 [708.7±12.0]	1-2064862-8
0.56	17.00±0.17 [669.3±7.0]	1-2064862-7
0.56	16.00±0.16 [629.9±7.0]	1-2064862-6
0.55	15.00±0.15 [590.6±6.0]	1-2064862-5
0.55	14.00±0.15 [551.2±6.0]	1-2064862-4
0.55	13.00±0.15 [511.8±6.0]	1-2064862-3
0.54	12.00±0.15 [472.4±6.0]	1-2064862-2
0.54	11.00±0.15 [433.1±6.0]	1-2064862-1
0.54	10.00±0.15 [394±6.0]	1-2064862-0
0.53	9.00±0.15 [354.6±6.0]	2064862-9
0.53	8.00±0.15 [315.0±6.0]	2064862-8
0.52	7.00±0.08 [275.6±3.0]	2064862-7
0.52	6.00±0.08 [236.2±3.0]	2064862-6
0.52	5.00±0.08 [196.9±3.0]	2064862-5
0.51	4.00±0.08 [157.5±3.0]	2064862-4
0.51	3.00±0.05 [118.1±2.0]	2064862-3
0.51	2.00±0.05 [78.7±2.0]	2064862-2
0.50	1.00±0.05 [39.4±2.0]	2064862-1

THIS DRAWING IS A CONTROLLED DOCUMENT.		DWN B.BRIGGS 12MAY2010																							
DIMENSIONS: METERS [INCHES]		CHK J.DUNCAN 08JUN2010																							
TOLERANCES UNLESS OTHERWISE SPECIFIED:		APVD J.DUNCAN 08JUN2010	NAME																						
<table border="1"> <tr><td>0 PLC</td><td>±</td><td>-</td></tr> <tr><td>1 PLC</td><td>±</td><td>-</td></tr> <tr><td>2 PLC</td><td>±</td><td>-</td></tr> <tr><td>3 PLC</td><td>±</td><td>-</td></tr> <tr><td>4 PLC</td><td>±</td><td>-</td></tr> <tr><td>ANGLES</td><td>±</td><td>-</td></tr> <tr><td>FINISH</td><td>-</td><td>-</td></tr> </table>		0 PLC	±	-	1 PLC	±	-	2 PLC	±	-	3 PLC	±	-	4 PLC	±	-	ANGLES	±	-	FINISH	-	-	PRODUCT SPEC	CABLE ASSEMBLY, FIBER OPTIC, 2.0mm OFNR, OM3, LC DUPLEX TO LC DUPLEX	
0 PLC	±	-																							
1 PLC	±	-																							
2 PLC	±	-																							
3 PLC	±	-																							
4 PLC	±	-																							
ANGLES	±	-																							
FINISH	-	-																							
MATERIAL		APPLICATION SPEC	SIZE	CAGE CODE																					
-		WEIGHT	A2	00779																					
		CUSTOMER DRAWING	DRAWING NO	RESTRICTED TO																					
		SCALE	C-2064862	-																					
		SHEET	1 OF 1	REV																					
		NTS	B1																						