

SAP P/N #	ENGINEERING P/N	FINISHED LENGTH
1300390178	DND31A-M005	0.5M [ 1FT 8 IN ]
1300390182	DND31A-M030	3M [ 9FT 10 IN ]
1300390183	DND31A-M050	5M [ 16FT 5 IN ]

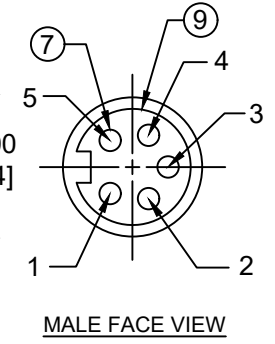
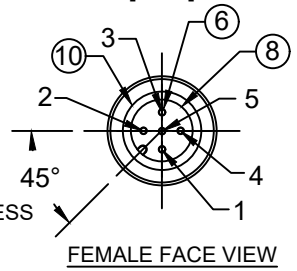
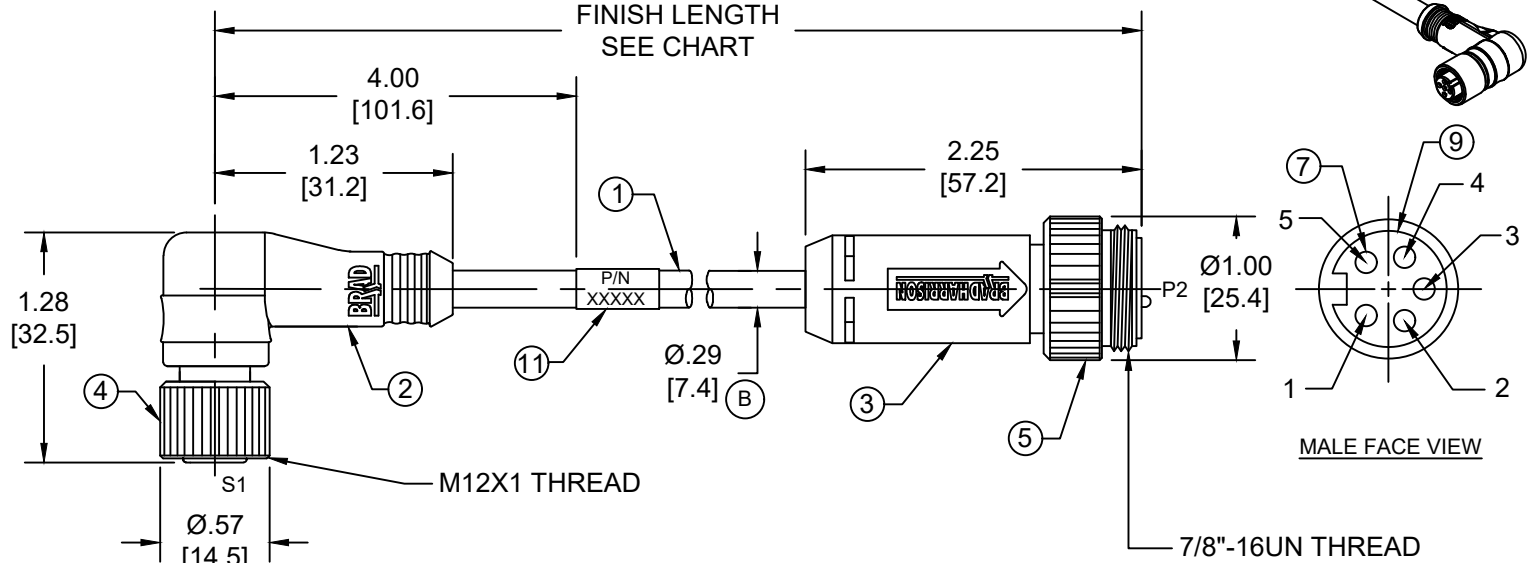
**PART NUMBER LEGEND**

DND31A-M002

LENGTH:  
M005= 0.5 METER  
M010= 1 METER  
M100= 10 METER

**NOTES:**

- MATERIAL: SEE TABLE
- FINISH: SEE TABLE
- ELECTRICAL:  
VOLTAGE: 250V  
CURRENT: 4A
- TEMP RATING: -20°C TO +80°C
- PROTECTION: IP67 (WHEN MATED)
- UL LISTED FILE: E152210  
CSA CERTIFIED FILE: LR6837
- ALL DIMENSIONS ARE FOR REFERENCE UNLESS TOLERANCED OR NOTED OTHERWISE



S1		P2	
1	DRAIN	1	
2	RED	2	
3	BLACK	3	
4	WHITE	4	
5	BLUE	5	

**WIRING DIAGRAM**

**CABLE LENGTH TOLERANCES**

<.3M [1FT]:	+19mm-0 [+ .75in-0]
.3 - .9M [1 - 3FT]:	+44.5mm-0 [+1.75in-0]
.9 - 1.8M [3 - 6FT]:	+55.6mm-0 [+2.19in-0]
1.8 - 3.7M [6 - 12FT]:	+88.9mm-0 [+3.50in-0]
3.7 - 7.3M [12 - 24FT]:	+165.1mm-0 [+6.50in-0]
7.3-14.6M [24 - 48FT]:	+317.5mm-0 [+12.50in-0]
14.6 - 30.5M [48-100FT]:	+622.3mm-0 [+24.50in-0]
OVER 30M [100FT]	+2% OF FINISHED LENGTH

11	WRAP LABEL	VINYL	BLACK/YELLOW
10	O-RING	NITRILE	RED
9	INSERT(MINI)	TPE	BLACK
8	INSERT(MICRO)	NYLON	BLACK
7	PIN CONTACT	COPPER ALLOY	GOLD OVER NICKEL
6	SOCKET CONTACT	COPPER ALLOY	GOLD OVER NICKEL
5	COUPLING NUT(MINI)	ZINC DIE-CAST	BLACK E-COAT
4	COUPLING NUT(MICRO)	ZINC DIE-CAST	BLACK E-COAT
3	OVERMOLD(MINI)	TPC	GRAY
2	OVERMOLD(MICRO)	TPC	GRAY
1	DEVICENET DROP CABLE	PVC JACKET	GRAY
ITEM	COMPONENT	MATERIAL	FINISH

THIS DRAWING CONTAINS INFORMATION THAT IS PROPRIETARY TO MOLEX ELECTRONIC TECHNOLOGIES, LLC AND SHOULD NOT BE USED WITHOUT WRITTEN PERMISSION

FUNCTIONAL SYMBOLS	DIMENSION UNITS	SCALE	CURRENT REV DESC:
$\nabla = 0$	INCH/MM	NTS	ITEM-2, 3 & 9 WERE PVC. ADDED ITEM-10, TOL CHART, PN LEGEND UL, CSA AND CABLE DIA. MODIFIED PN CHART
$\nabla \nabla = 0$	GENERAL TOLERANCES (UNLESS SPECIFIED)		EC NO: 720800
$\nabla \nabla \nabla = 0$			DRWN: ABENJAMINLW 2022/07/26
			CHK'D: RSTONE 2022/09/09
			APPR: BWOODMAN 2022/09/09
DIVISIONAL SYMBOLS	4 PLACES ±----	±----	INITIAL REVISION:
	3 PLACES ±----	±----	DRWN: TWOLDEGE 2010/01/11
	2 PLACES ±----	±----	APPR: JFMURPHY 2010/01/20
	1 PLACE ±----	±----	
	0 PLACES ±----	±----	
	ANGULAR TOL ± ---- °		
	DRAFT WHERE APPLICABLE MUST REMAIN WITHIN DIMENSIONS		THIRD ANGLE PROJECTION

**MINI-MICRO CHANGE DEVICENET, A-SIZE-M12, 5 POLE, MALE STRAIGHT -FEMALE 90DEG, SINGLE KEY, #22/4 AWG**

**PRODUCT CUSTOMER DRAWING**

DOCUMENT NUMBER	DOC TYPE	DOC PART	REVISION
SD-130039-022	PSD	001	B

MATERIAL NUMBER	CUSTOMER	SHEET NUMBER
SEE CHART	GENERAL MARKET	1 OF 1