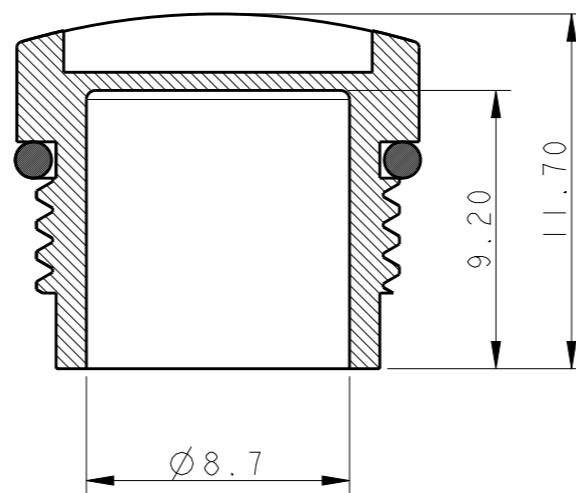
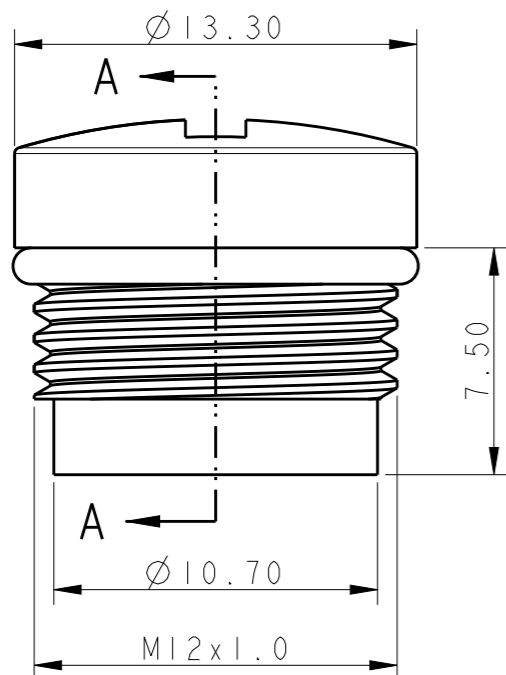
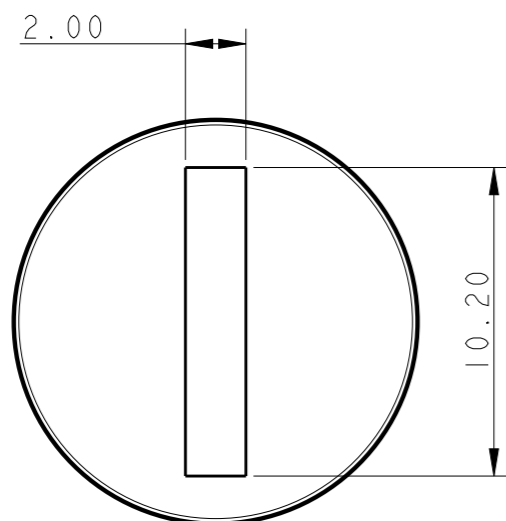
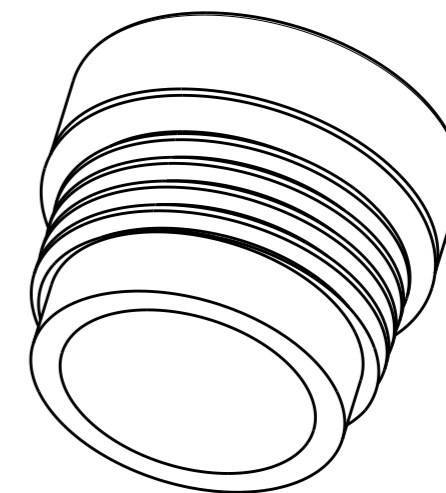


P	LTR	DESCRIPTION	DATE	DWN	APVD
	A	INITIAL RELEASE	12NOV2019	DL	CW



SECTION A-A



NOTES:

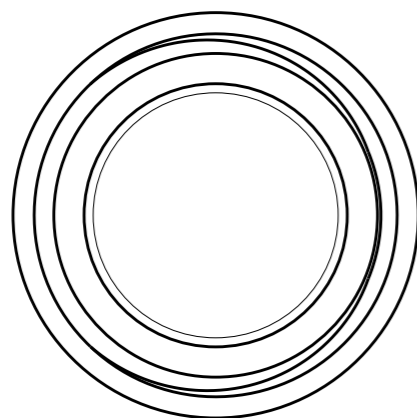
- MATERIAL
 - 1-1. HOUSING: PBT+30GF, COLOR: BLACK.
 - 1-2. O-RING: SILICON RUBBER, COLOR: BLACK.

- COMPLIANCE WITH ROHS AND REACH.

注释:

- 材料
 - 1-1. 主体材质: PBT+30GF, 颜色: 黑色.
 - 1-2. 密封材质: 硅胶, 颜色: 黑色.

- 符合ROHS和REACH要求.



P5407601200-000	M12 PLASTIC DUST CAP M12 塑胶防尘盖
TE P/N	DESCRIPTION

THIS DRAWING IS A CONTROLLED DOCUMENT.		DWN	DAVID LI	12NOV2019				
DIMENSIONS: mm		CHK	CHRIS WANG	12NOV2019				
TOLERANCES UNLESS OTHERWISE SPECIFIED:		APVD	CHRIS WANG	12NOV2019				
0 PLC ±0.5 1 PLC ±0.2 2 PLC ±0.10 3 PLC ± 4 PLC ± ANGLES ±		PRODUCT SPEC	NAME			M12 PLASTIC DUST CAP		
MATERIAL		APPLICATION SPEC		SIZE		CAGE CODE	DRAWING NO	RESTRICTED TO
-		-		A3		00779	©-P5407601200000	-
-		FINISH		WEIGHT		CUSTOMER DRAWING		SCALE
-		-		-		4:1		SHEET 1 OF 1
								REV A