



Electrically held lighting contactor, Contactor amp rating 20A, 0 N.C. / 3 N.O.  
Poles, 480VAC 60HZ coil, Combination type, 20A circuit breaker, Encl NEMA type  
4X 304 S-Steel, Water/dust tight noncorrosive

|   |   |
|---|---|
| product brand name  | Class LE  |
| design of the product   | Electrically held lighting contactor with circuit breaker |
| special product feature   | Compact design; Finger safe control terminals             |
| <b>General technical data</b>   |   |
| weight [lb]   | 27 lb   |
| Height x Width x Depth [in]   | 24 × 11 × 8 in  |
| touch protection against electrical shock                               | NA for enclosed products                                  |
| installation altitude [ft] at height above sea level maximum            | 6560 ft   |
| ambient temperature [°F]  |   |
| • during storage  | -67 ... +176 °F   |
| • during operation  | 32 ... 104 °F   |
| ambient temperature   |   |
| • during storage  | -55 ... +80 °C  |
| • during operation  | 0 ... 40 °C   |
| country of origin   | USA   |
| <b>Contactors</b>   |   |
| size of contactor   | 20 Amp  |
| number of NO contacts for main contacts                                 | 3   |
| number of NC contacts for main contacts                                 | 0   |
| operating voltage for main current circuit at AC at 60 Hz maximum       | 600 V   |
| mechanical service life (operating cycles) of the main contacts typical | 30000000  |
| contact rating of the main contacts of lighting contactor               |   |
| • with electronic ballast [LED driver] (1 pole per 1 phase) rated value | 8A @120V / 3A @277V 1p 1ph                                |
| • at tungsten (1 pole per 1 phase) rated value                          | 20A @277V 1p 1ph  |
| • at tungsten (2 poles per 1 phase) rated value                         | 20A @480V 2p 1ph  |
| • at tungsten (3 poles per 3 phases) rated value                        | 20A @480V 3p 3ph  |
| • at ballast (1 pole per 1 phase) rated value                           | 20A @347V 1p 1ph  |
| • at ballast (2 poles per 1 phase) rated value                          | 20A @600V 2p 1ph  |
| • at ballast (3 poles per 3 phases) rated value                         | 20A @600V 3p 3ph  |
| • at resistive load (1 pole per 1 phase) rated value                    | 20A @600V 1p 1ph  |
| • at resistive load (2 poles per 1 phase) rated value                   | 20A @600V 2p 1ph  |
| • at resistive load (3 poles per 3 phases) rated value                  | 20A @600V 3p 3ph  |
| <b>Auxiliary contact</b>  |   |
| number of NC contacts at contactor for auxiliary contacts               | 0   |
| number of NO contacts at contactor for auxiliary contacts               | 1   |
| number of total auxiliary contacts maximum                              | 4   |
| contact rating of auxiliary contacts of contactor according to UL       | A600 / Q600   |
| <b>Coil</b>   |   |

|  |  |
|--|--|
| type of voltage of the control supply voltage  | AC   |
| control supply voltage   |  |
| • at AC at 60 Hz rated value   | 480 V  |
| apparent pick-up power of magnet coil at AC  | 31.7 VA  |
| apparent holding power of magnet coil at AC  | 4.8 VA   |
| operating range factor control supply voltage rated value of magnet coil   | 0.85 ... 1.1   |
| <b>Enclosure</b>   |  |
| degree of protection NEMA rating of the enclosure  | NEMA 4x 304 stainless steel enclosure                |
| design of the housing  | dustproof, waterproof & resistant to corrosion       |
| <b>Circuit Breaker</b>   |  |
| type of the motor protection   | Circuit breaker with thermal and fixed magnetic trip |
| operational current of motor circuit breaker rated value   | 20 A   |
| <b>Mounting/wiring</b>   |  |
| mounting position  | Vertical   |
| fastening method   | Surface mounting and installation                    |
| type of electrical connection for supply voltage line-side   | Box lug  |
| type of connectable conductor cross-sections at line-side for AWG cables single or multi-stranded                        | 1x (14 ... 10 AWG) or 1x (12 ... 10 AWG)             |
| temperature of the conductor for supply maximum permissible  | 75 °C  |
| material of the conductor for supply   | AL or CU   |
| type of electrical connection for load-side outgoing feeder  | Screw-type terminals                                 |
| tightening torque [lbf-in] for load-side outgoing feeder   | 7 ... 12 lbf-in                                      |
| type of connectable conductor cross-sections for AWG cables for load-side outgoing feeder single or multi-stranded       | 2x (20 ... 16 AWG), 2x (18 ... 14 AWG), 2x 12 AWG    |
| temperature of the conductor for load-side outgoing feeder maximum permissible   | 75 °C  |
| material of the conductor for load-side outgoing feeder  | CU   |
| type of electrical connection of magnet coil   | Screw-type terminals                                 |
| tightening torque [lbf-in] at magnet coil  | 7 ... 10 lbf-in                                      |
| type of connectable conductor cross-sections of magnet coil for AWG cables single or multi-stranded                      | 2x (20 ... 16 AWG), 2x (18 ... 14 AWG)               |
| temperature of the conductor at magnet coil maximum permissible  | 75 °C  |
| material of the conductor at magnet coil   | CU   |
| type of electrical connection at contactor for auxiliary contacts  | Screw-type terminals                                 |
| tightening torque [lbf-in] at contactor for auxiliary contacts   | 7 ... 12 lbf-in                                      |
| type of connectable conductor cross-sections at contactor for AWG cables for auxiliary contacts single or multi-stranded | 2x (20 ... 16 AWG), 2x (18 ... 14 AWG)               |
| temperature of the conductor at contactor for auxiliary contacts maximum permissible                                     | 75 °C  |
| material of the conductor at contactor for auxiliary contacts  | CU   |
| <b>Short-circuit current rating</b>  |  |
| design of the short-circuit trip   | Thermal magnetic circuit breaker                     |
| maximum short-circuit current breaking capacity (Icu)  |  |
| • at 240 V   | 5 kA   |
| • at 480 V   | 5 kA   |
| • at 600 V   | 5 kA   |
| certificate of suitability   | NEMA ICS 2; UL 508                                   |
| <b>Further information</b>   |  |

**Industrial Controls - Product Overview (Catalogs, Brochures,...)**

[www.usa.siemens.com/iccatalog](http://www.usa.siemens.com/iccatalog)

**Industry Mall (Online ordering system)**

<https://mall.industry.siemens.com/mall/en/us/Catalog/product?mlfb=US2:LEBT4B003480B>

**Service&Support (Manuals, Certificates, Characteristics, FAQs,...)**

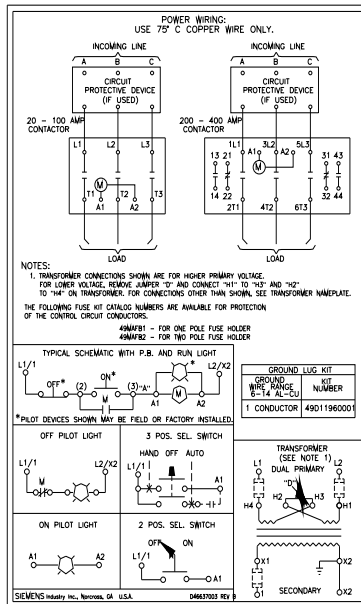
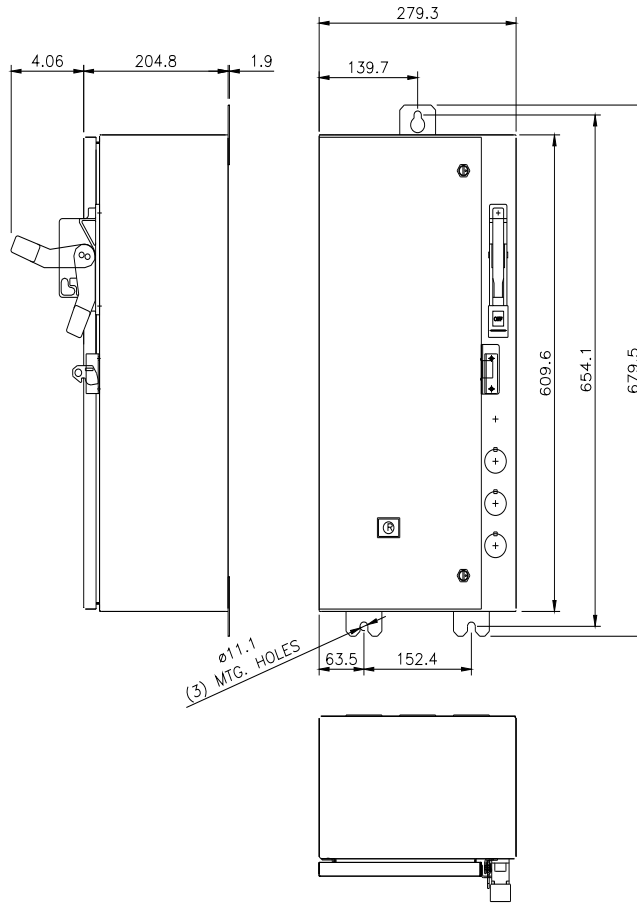
<https://support.industry.siemens.com/cs/US/en/ps/US2:LEBT4B003480B>

**Image database (product images, 2D dimension drawings, 3D models, device circuit diagrams, EPLAN macros, ...)**

[http://www.automation.siemens.com/bilddb/cax\\_de.aspx?mlfb=US2:LEBT4B003480B&lang=en](http://www.automation.siemens.com/bilddb/cax_de.aspx?mlfb=US2:LEBT4B003480B&lang=en)

**Certificates/approvals**

<https://support.industry.siemens.com/cs/US/en/ps/US2:LEBT4B003480B/certificate>



D46637003

last modified:

4/5/2023

