



ANATECH ELECTRONICS INC
RF & Microwave Filters & Products

233 MHz Cavity Bandpass Filter

Part Number: AE233B10342



Electrical specifications

Center Frequency: 233 MHz
Insertion loss: <5 dB
Return loss: >14 dB
Rejection 1: >50 dB@0-228 MHz
Rejection 2: >50 dB@238-1000 MHz

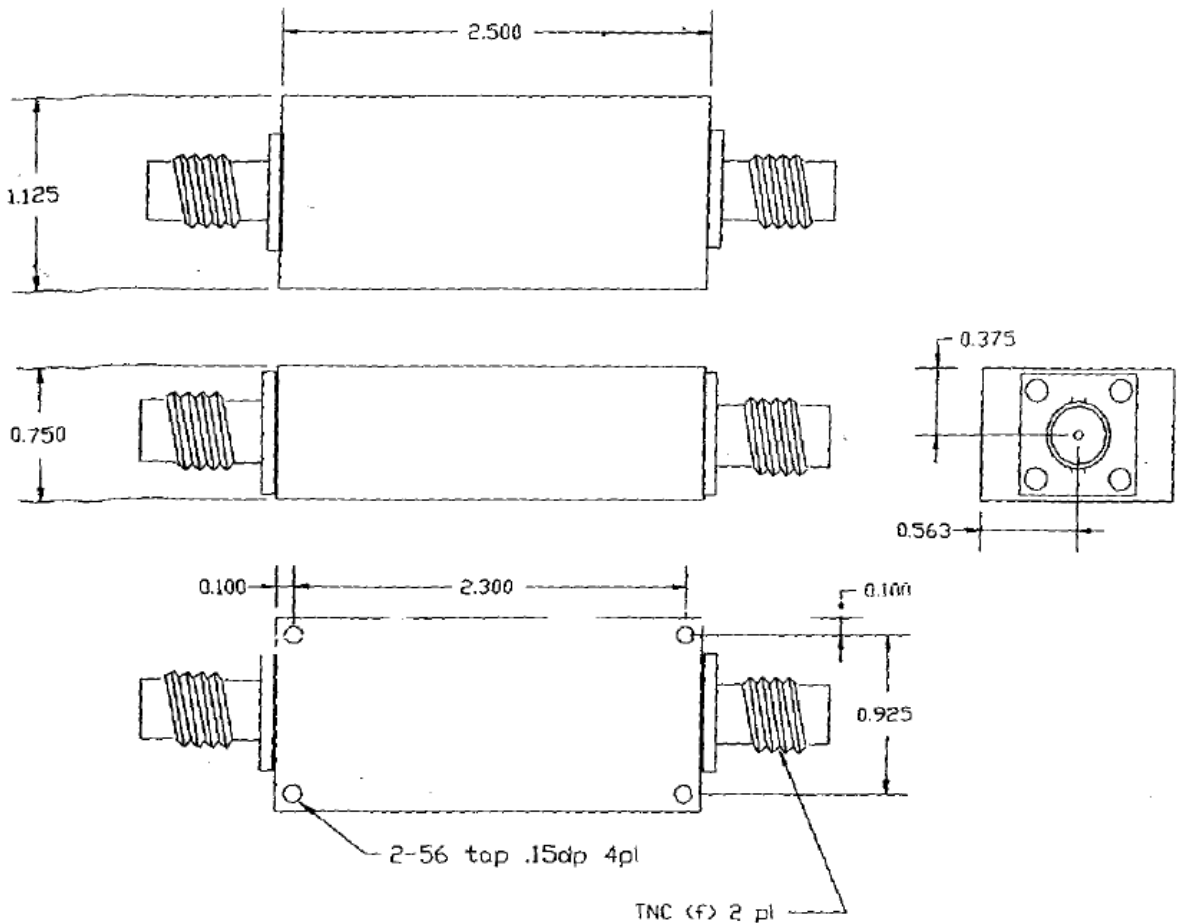
Mechanical

Mounting Method: Threaded Mounting Holes
Connector Type: TNC Female
Dimensions: 2.50" x 1.25" x 0.75" in

Environmental

Operating Temperature: -45 to +85° C
Storage Temperature: -55 to +95° C
Shock: 20 G. 11ms
Vibration: 20 G. 5 to 200 MHz

Outline Drawing:





233 MHz Cavity Bandpass Filter

Part Number: AE233B10342

ANATECH ELECTRONICS INC
RF & Microwave Filters & Products



Plots:

