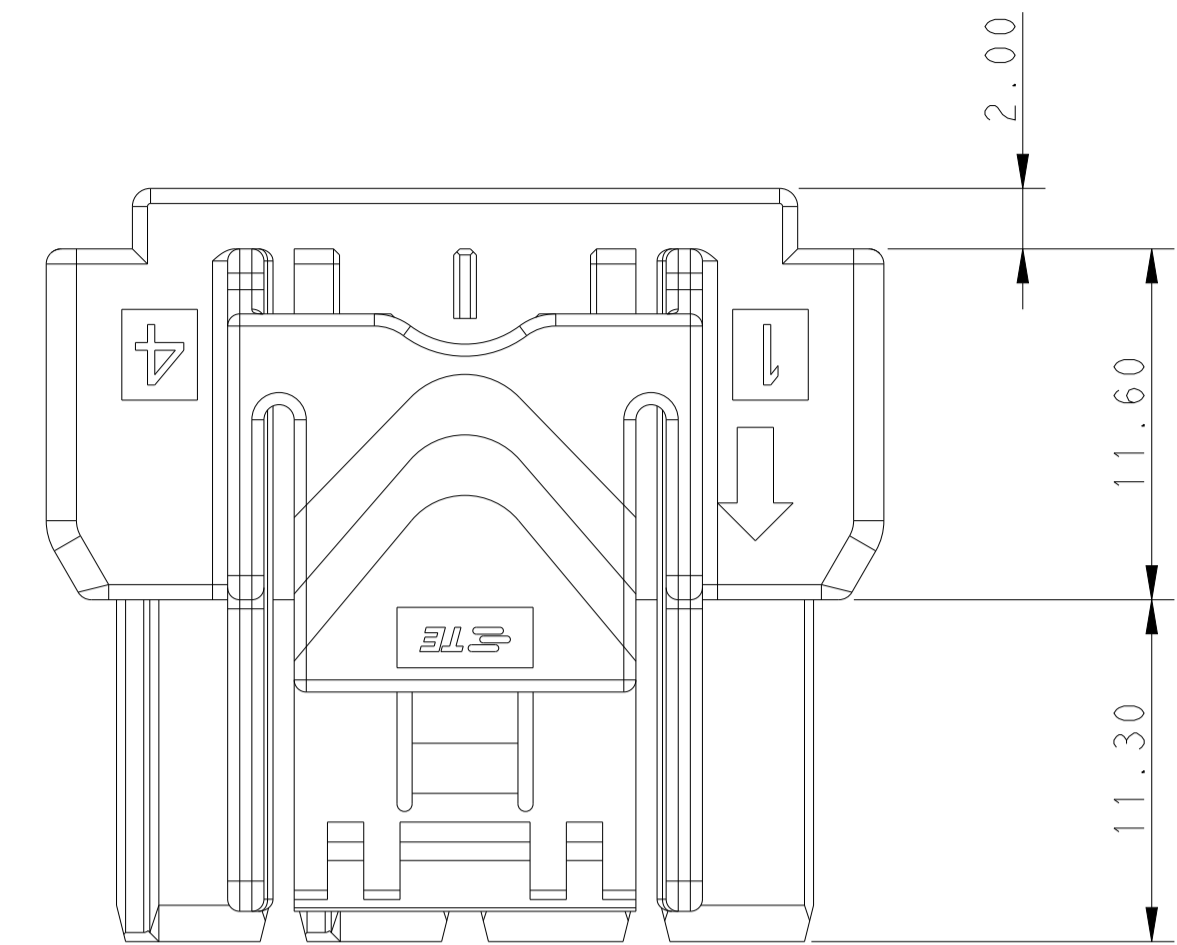
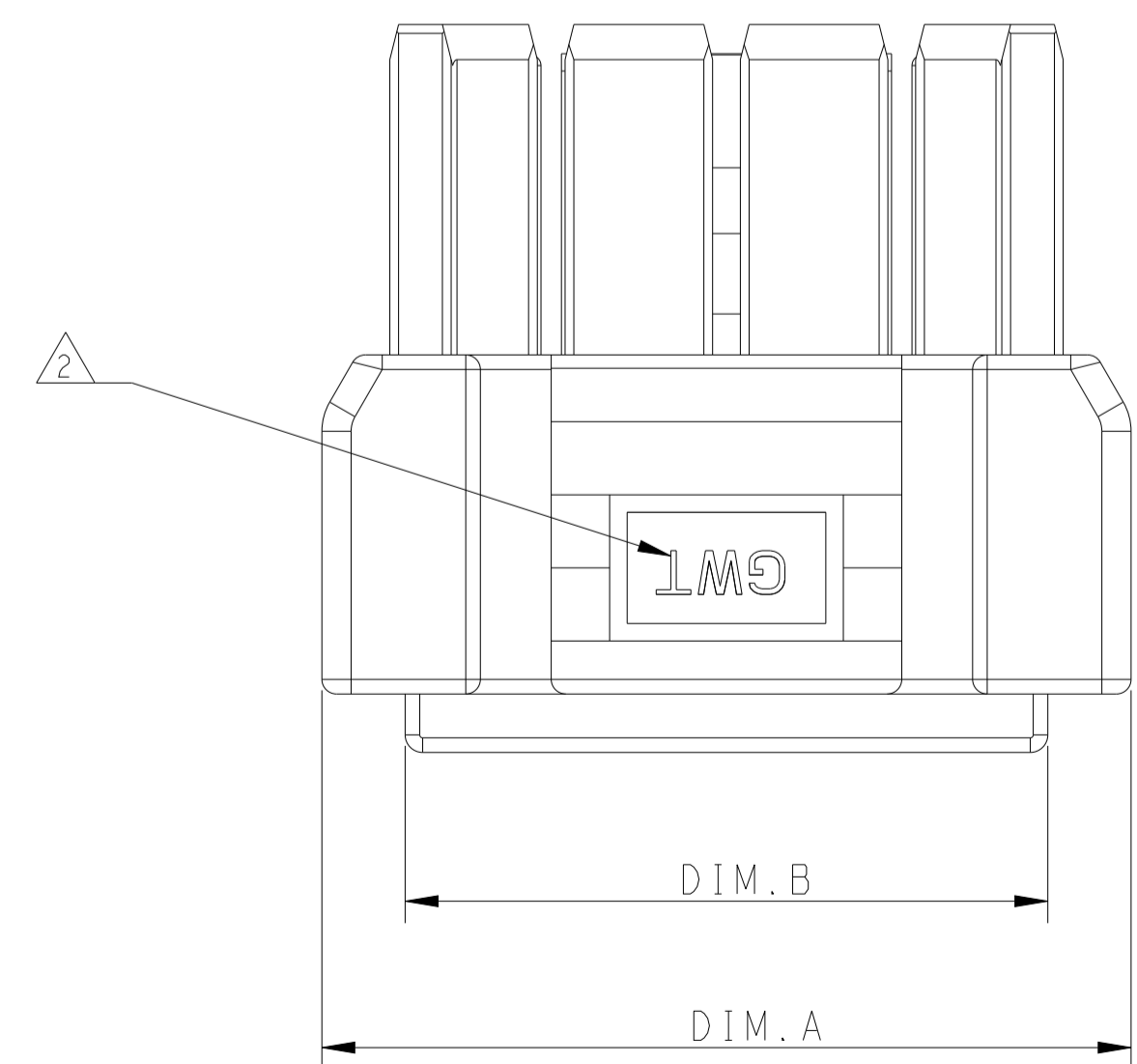
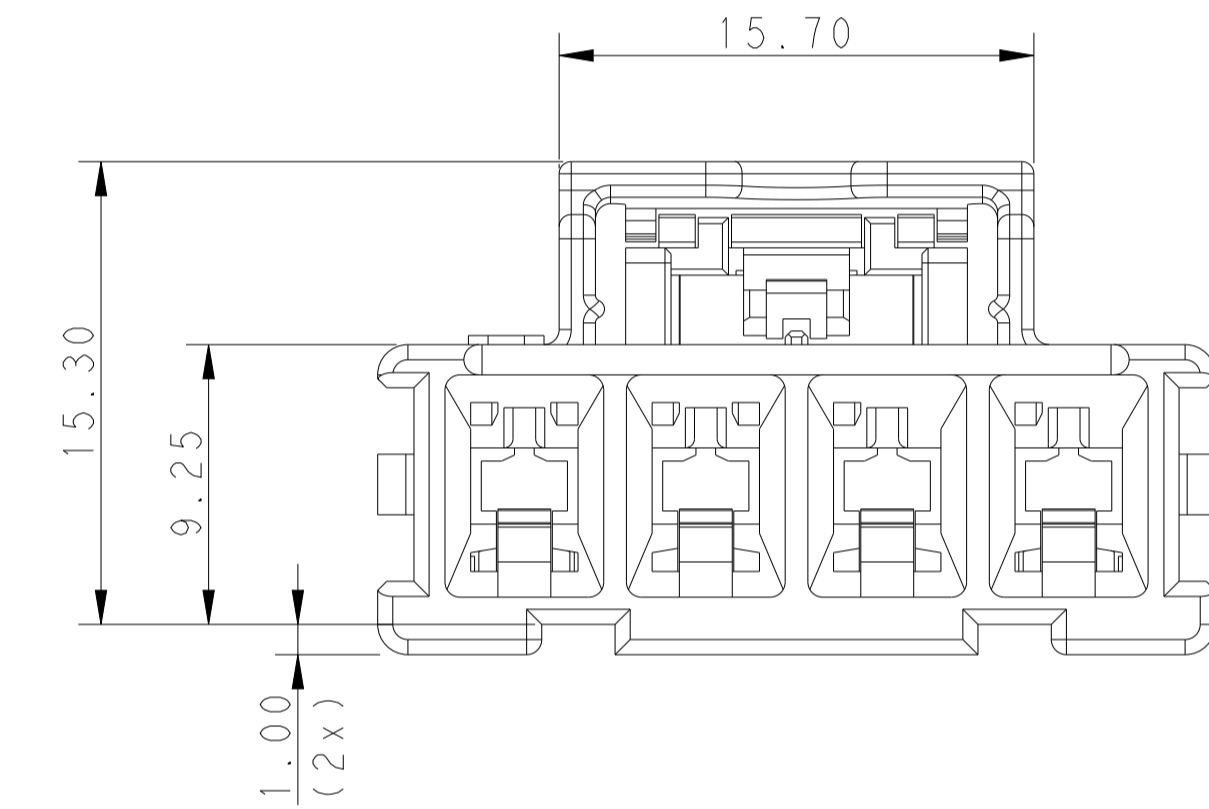
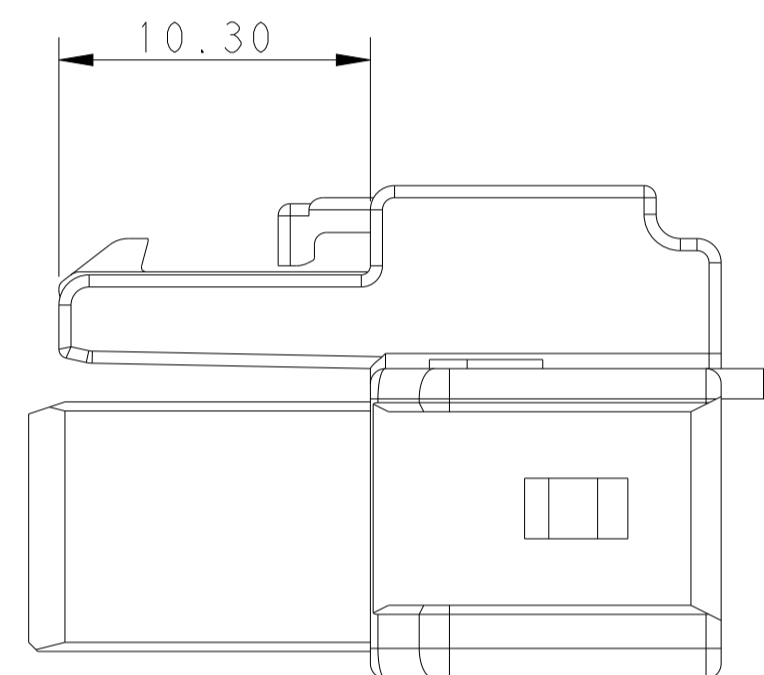
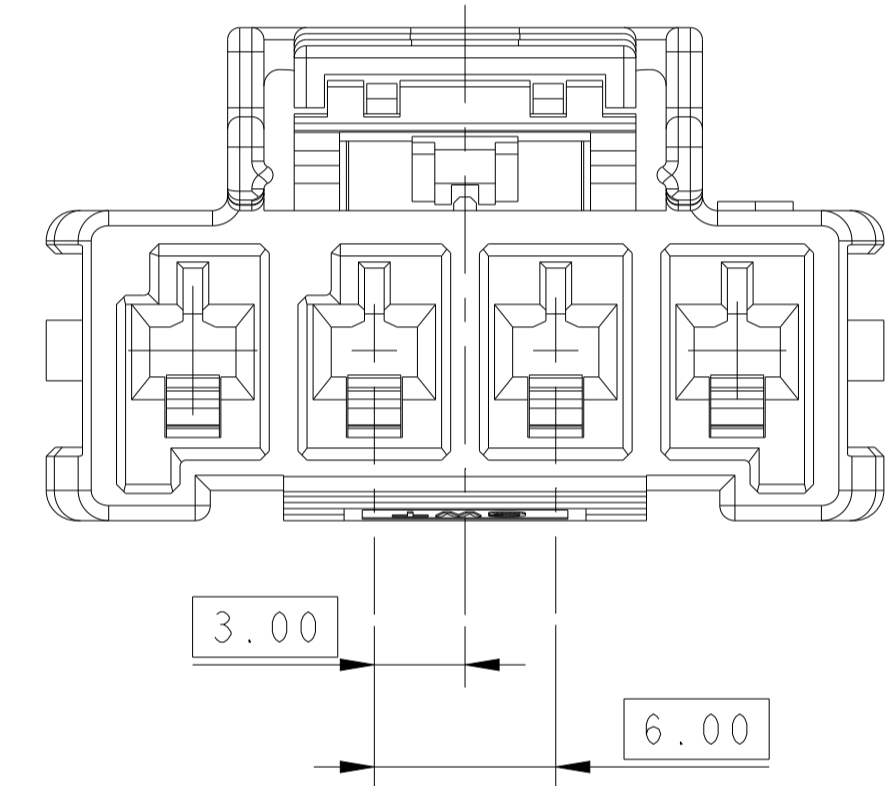


LOC		DIST		REVISIONS			
P	LTN	DESCRIPTION	DATE	DMN	APVD		
E		REVISED PER ECR-22-137850	11MAY2023	SKR	CM		



POS.	DIM. A	DIM. B
1*5	33.70	28.00
1*4	27.70	22.00
1*3	21.70	16.00
1*2	15.70	10.00



NOTE
 1. MATERIAL:
 LEVEL A: PA66, COMPLY WITH GLOW WIRE REQUIREMENTS FOR PARTS OF NON-METALLIC MATERIAL SUPPORTING A CURRENT-CARRYING CONNECTION DETAILED IN IEC 60335-1, SECTION 30 (GWT), UL 94V-0
 LEVEL B: PBT, HOT WIRE IGNITION (HWI) VERSION ARE MOLDED IN A RESIN THAT COMPLIES WITH TE HOT WIRE IGNITION TEST 109-32026 AND ARE RECOMMENDED FOR USE WITH HWI HOUSINGS THAT ALSO COMPLY, UL 94V-0

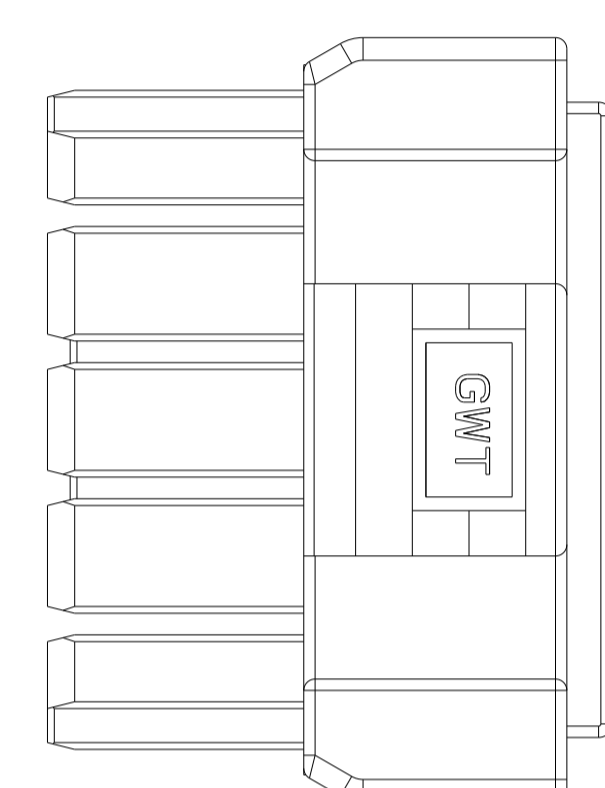
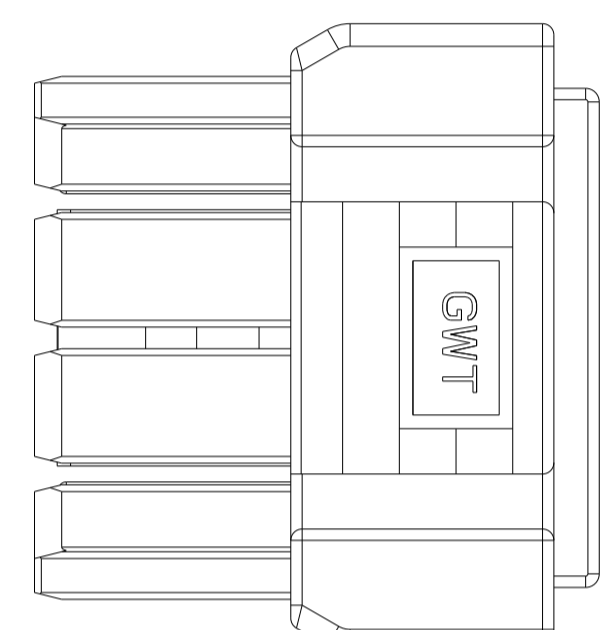
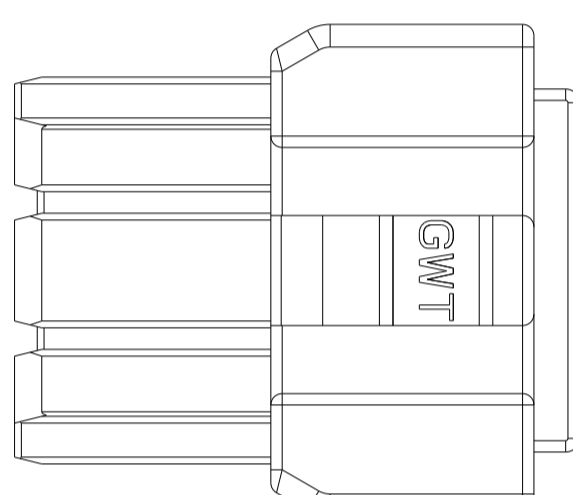
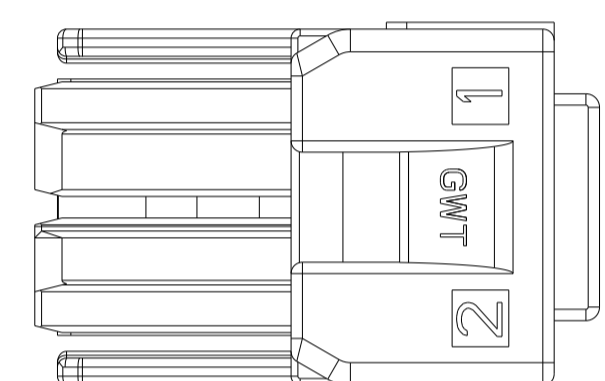
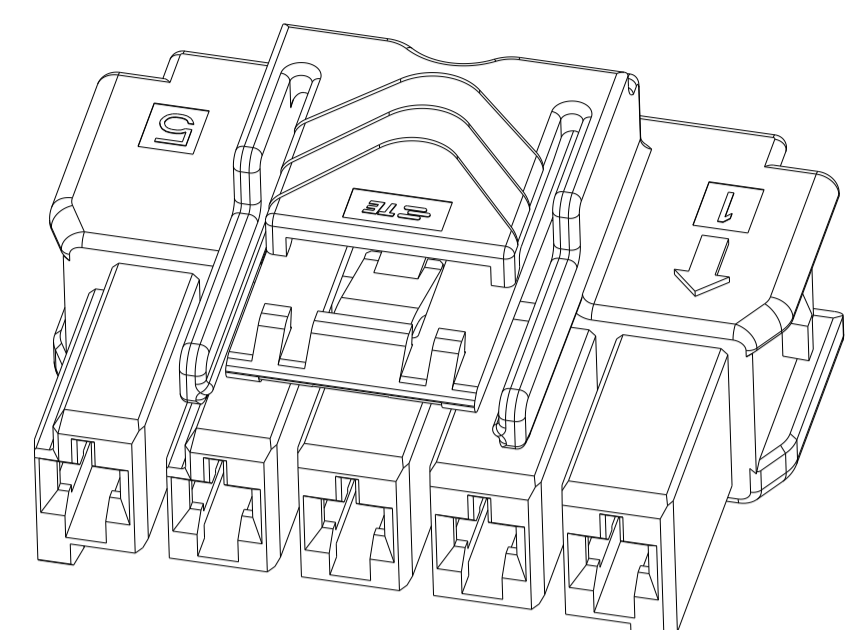
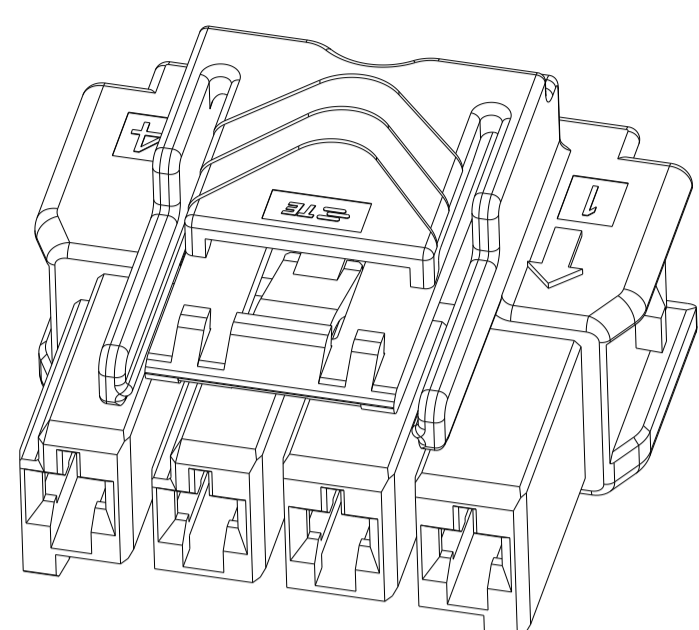
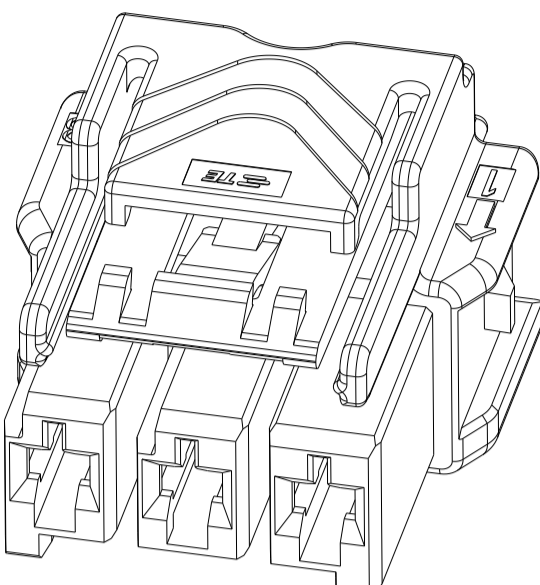
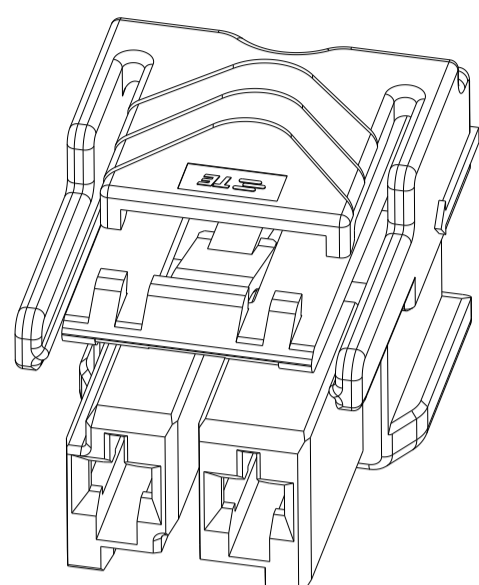
2. MATERIAL MARK:
 LEVEL A: GWT, LEVEL B: HWT

3. APPLICABLE CONTACT P/N
 REC CONTACT: 1971237/1971779/81/83/85/87-*

4. MATING CONN. P/N
 CAP HSG: *-2232358/263-
 TPA: *-1971777-*

THIS DRAWING IS A CONTROLLED DOCUMENT.		DMN TOMMY WU 26MAR2013	TE Connectivity
DIMENSIONS: mm		CHK HAPYE WU 26MAR2013	
TOLERANCES UNLESS OTHERWISE SPECIFIED:		APVD YUHONG MAO 26MAR2013	NAME
0 PLC	±	PRODUCT SPEC	PLUG HOUSING, SINGLE ROW
1 PLC	±0.35	108-106118	POWER TRIPLE LOCK
2 PLC	±0.25	APPLICATION SPEC	
3 PLC	±	114-106118	SIZE CAGE CODE DRAWING NO
4 PLC	±	WEIGHT	A100779C=2232265
ANGLES	±	Customer Drawing	RESTRICTED TO
FINISH	-	SCALE 4:1	SHEET 1 OF 2
MATERIAL SEE TABLE	-	REV E	

LOC		DIST		REVISIONS			
P	LTN	DESCRIPTION	DATE	DMN	APVD		
-	-	SEE SHEET 1	-	-	-		

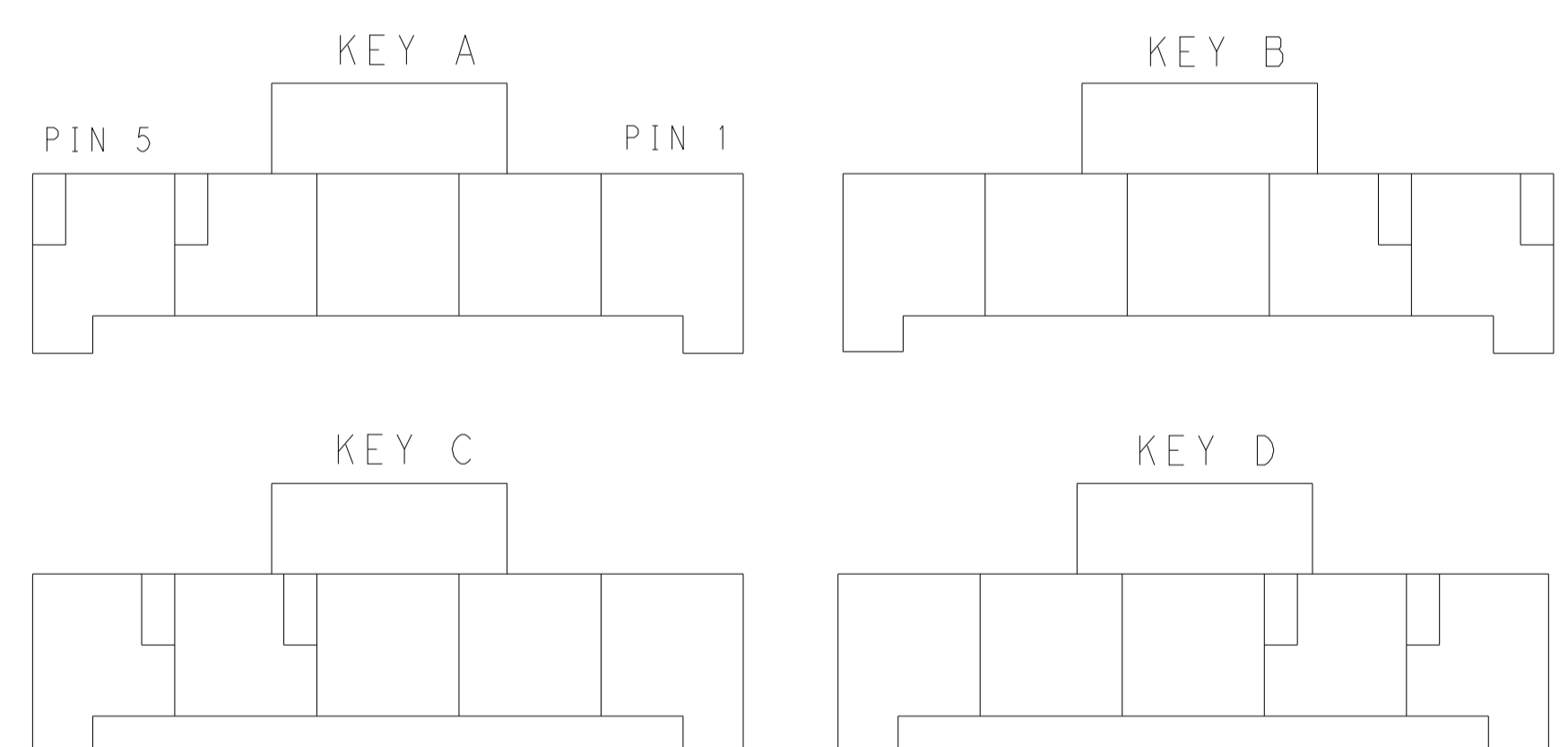
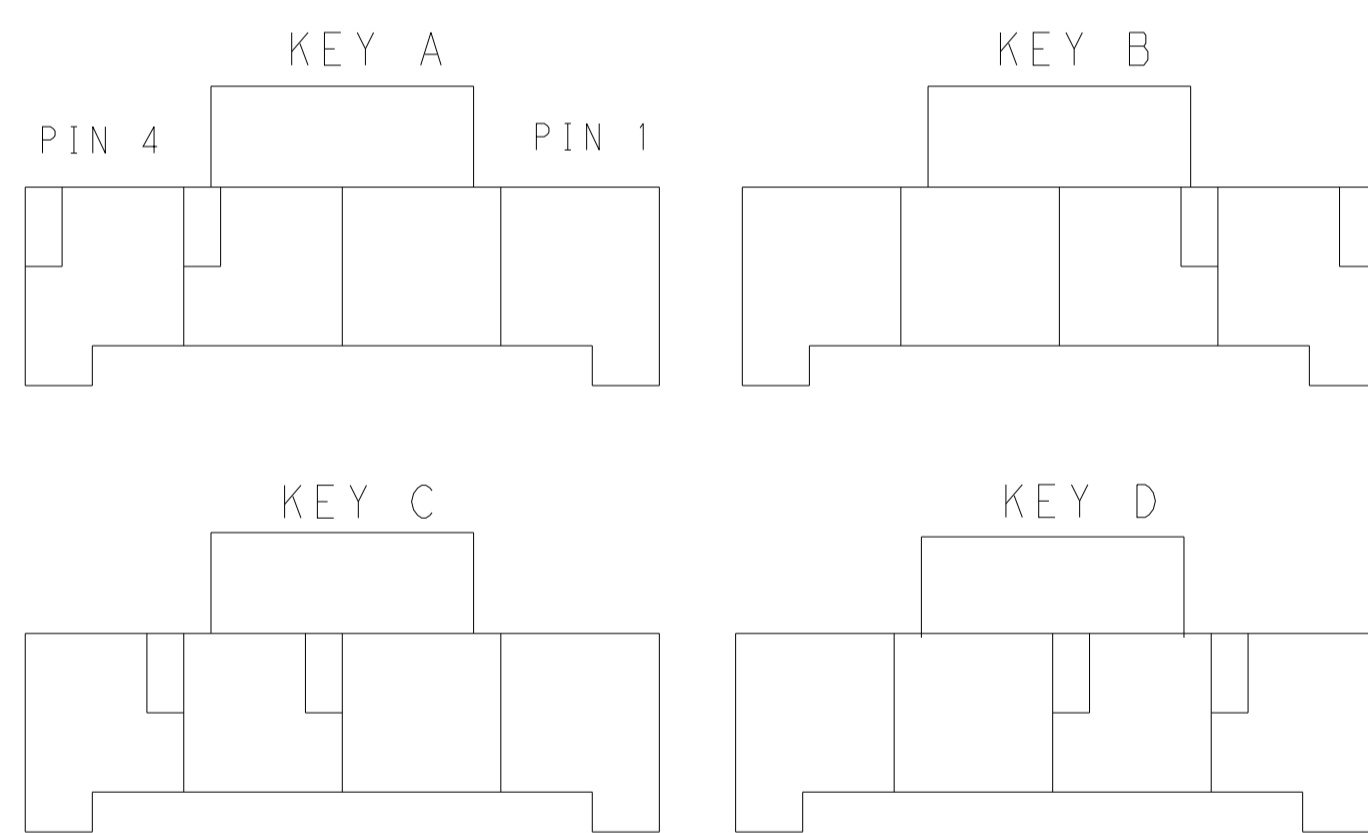
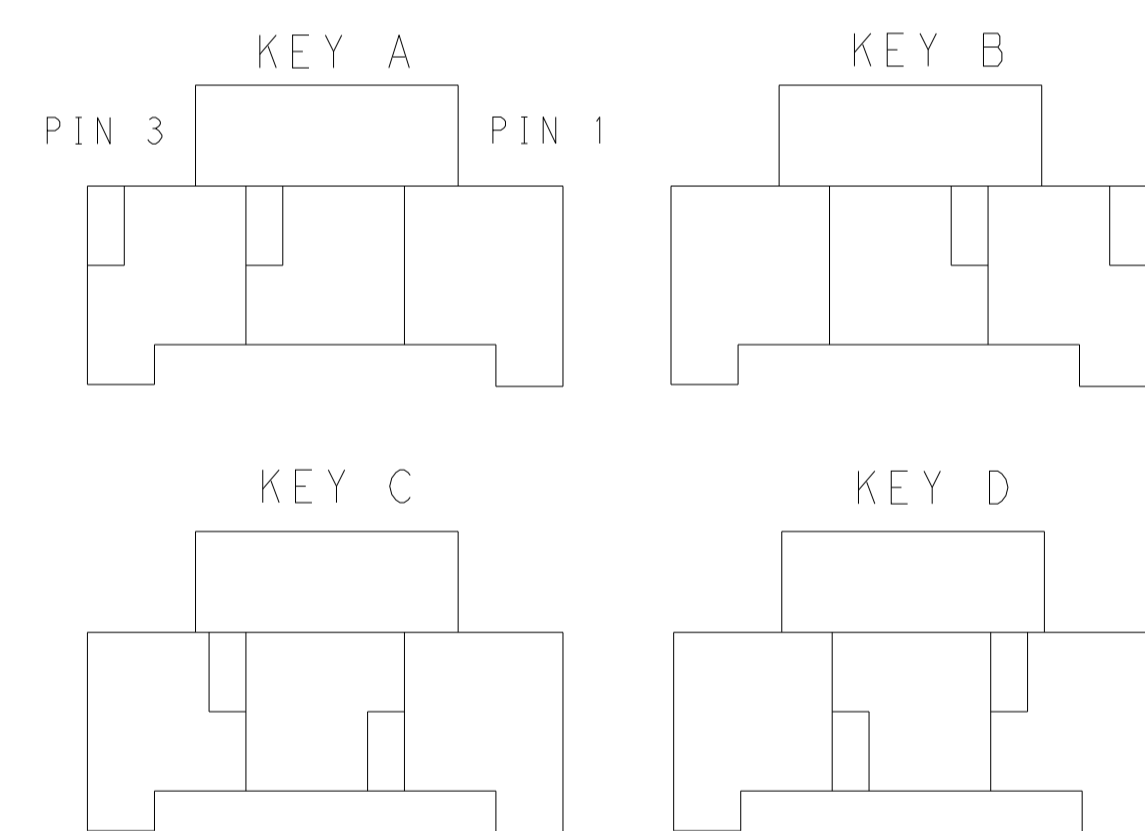
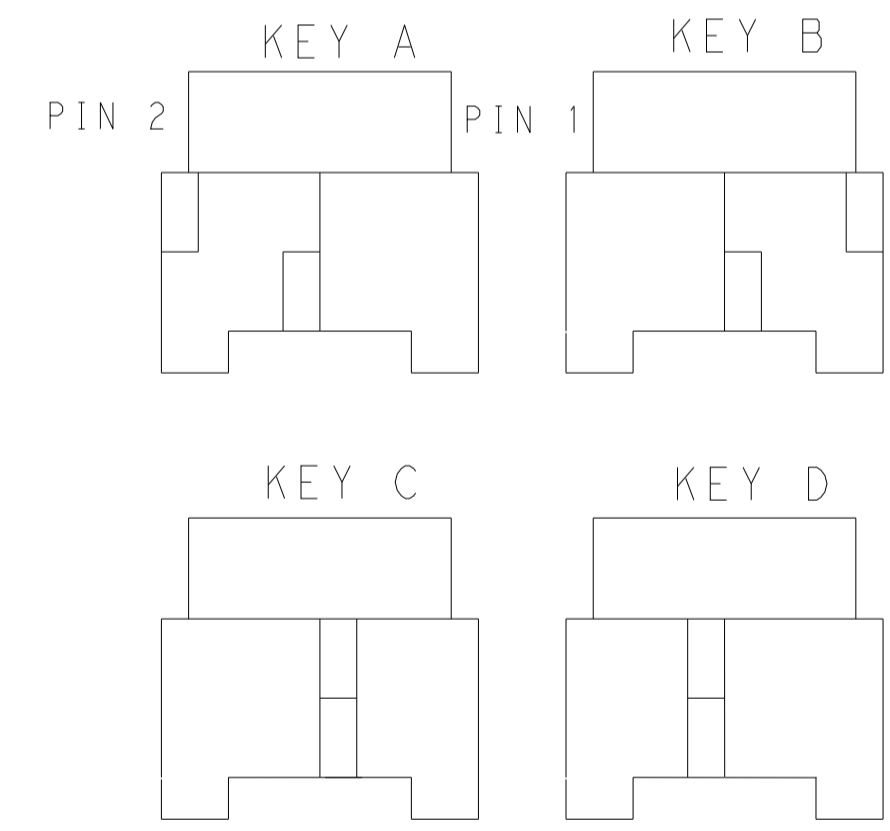


1*2 POSITIONS

1*3 POSITIONS

1*4 POSITIONS

1*5 POSITIONS



KEYING FOR 1*2 POS.

KEYING FOR 1*3 POS.

KEYING FOR 1*4 POS.

KEYING FOR 1*5 POS.

POS.	MATERIAL	COLOR	KEY	P/N
1*5	LEVEL A	DARK GREY	KEY A	5-2232265-7
		BROWN	KEY B	6-2232265-7
		GREEN	KEY C	7-2232265-7
		ORANGE	KEY D	8-2232265-7
1*4	LEVEL B	BLACK	KEY A	1-2232265-3
		DARK GREY	KEY A	5-2232265-4
		BROWN	KEY B	6-2232265-4
		GREEN	KEY C	7-2232265-4
1*3	LEVEL A	ORANGE	KEY D	8-2232265-4
		BLACK	KEY A	1-2232265-2
		DARK GREY	KEY A	5-2232265-3
		BROWN	KEY B	6-2232265-3
1*2	LEVEL A	GREEN	KEY C	7-2232265-3
		ORANGE	KEY D	8-2232265-3
		NATURAL	KEY B	2-2232265-1
		BLACK	KEY A	1-2232265-1

THIS DRAWING IS A CONTROLLED DOCUMENT.

DIMENSIONS: mm 	TOLERANCES UNLESS OTHERWISE SPECIFIED: 0 PLC ± 1 PLC ±0.35 2 PLC ±0.25 3 PLC ± 4 PLC ± ANGLES ± FINISH	DMN TOMMY WU 26MAR2013 CHK HAPYE WU 26MAR2013 APVD YUHONG MAO 26MAR2013 PRODUCT SPEC 108-106118 APPLICATION SPEC 114-106118 WEIGHT Customer Drawing	TE Connectivity NAME PLUG HOUSING, SINGLE ROW POWER TRIPLE LOCK SIZE CAGE CODE DRAWING NO. RESTRICTED TO A100779C=2232265 SCALE SHEET 2 OF 2 REV E
-----------------------	---	---	--