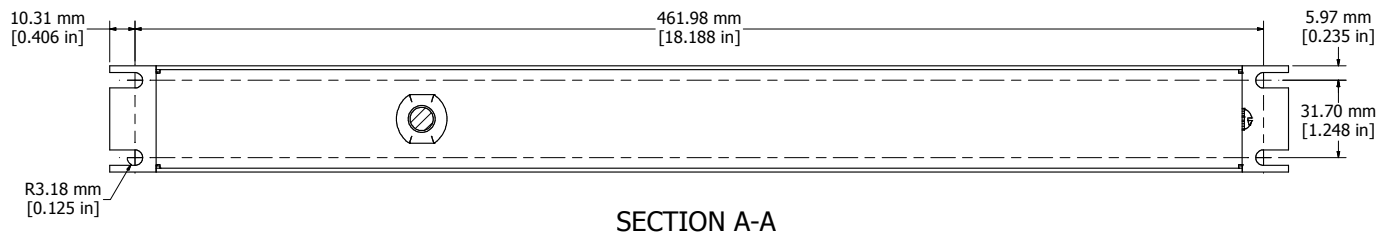
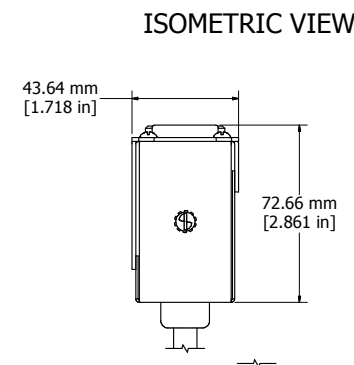
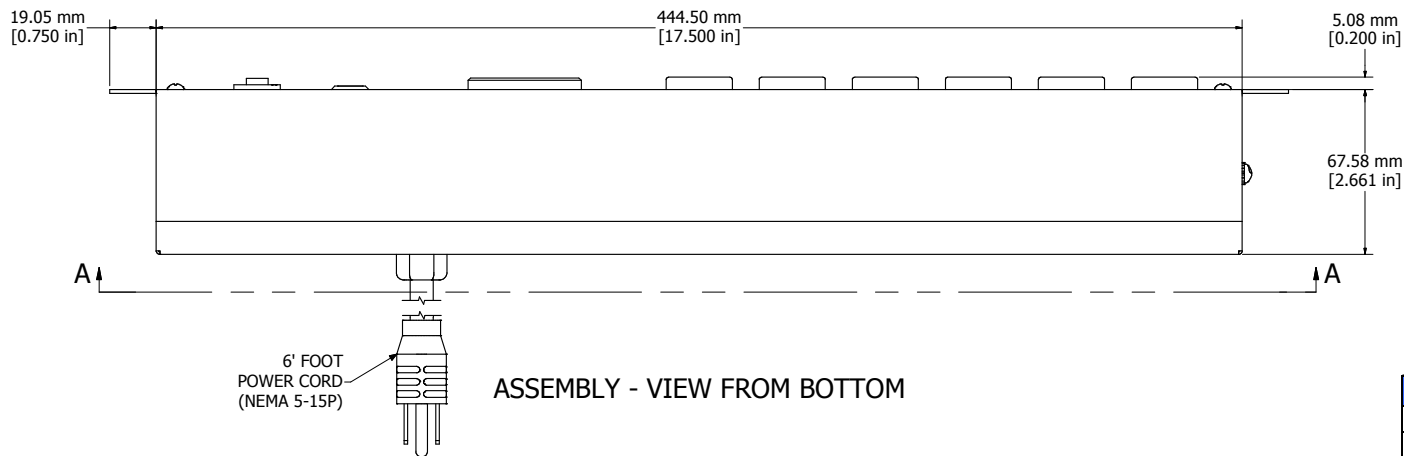
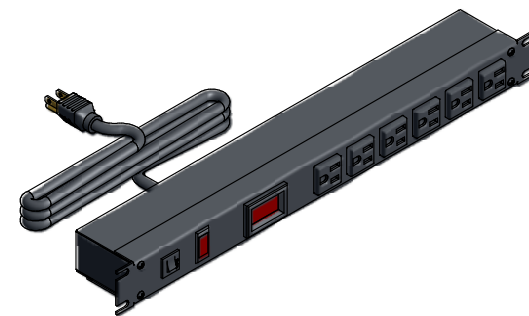
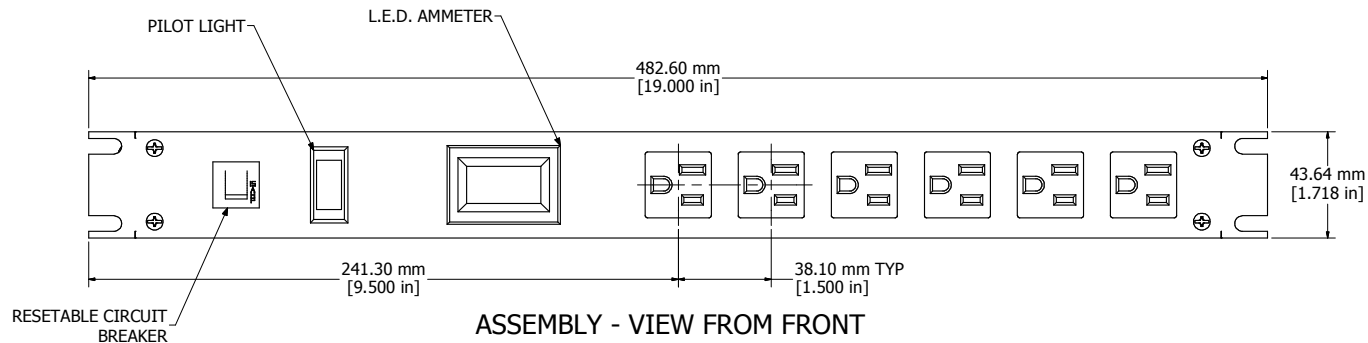


8 | 7 | 6 | 5 | 4 | 3 | 2 | 1



1582T6A1BKAM
Finish - Front - Black Painted Steel
Back - Black Painted Steel
Rated - 125 VAC, 60 Hz, 15 Amps
Approvals - cURus Recognized to Standard UL1363 & CSA
C22.2 No. 21-95
Cord Length
1582T6A1BKAM - 6' Foot Power Cord (NEMA 5-15P)
1582T6B1BKAM - 15' Foot Power Cord (NEMA 5-15P)



**HAMMOND
MANUFACTURING™**

1582T6A1BKAM

www.hammondmfg.com

8 | 7 | 6 | 5 | 4 | 3 | 2 | 1